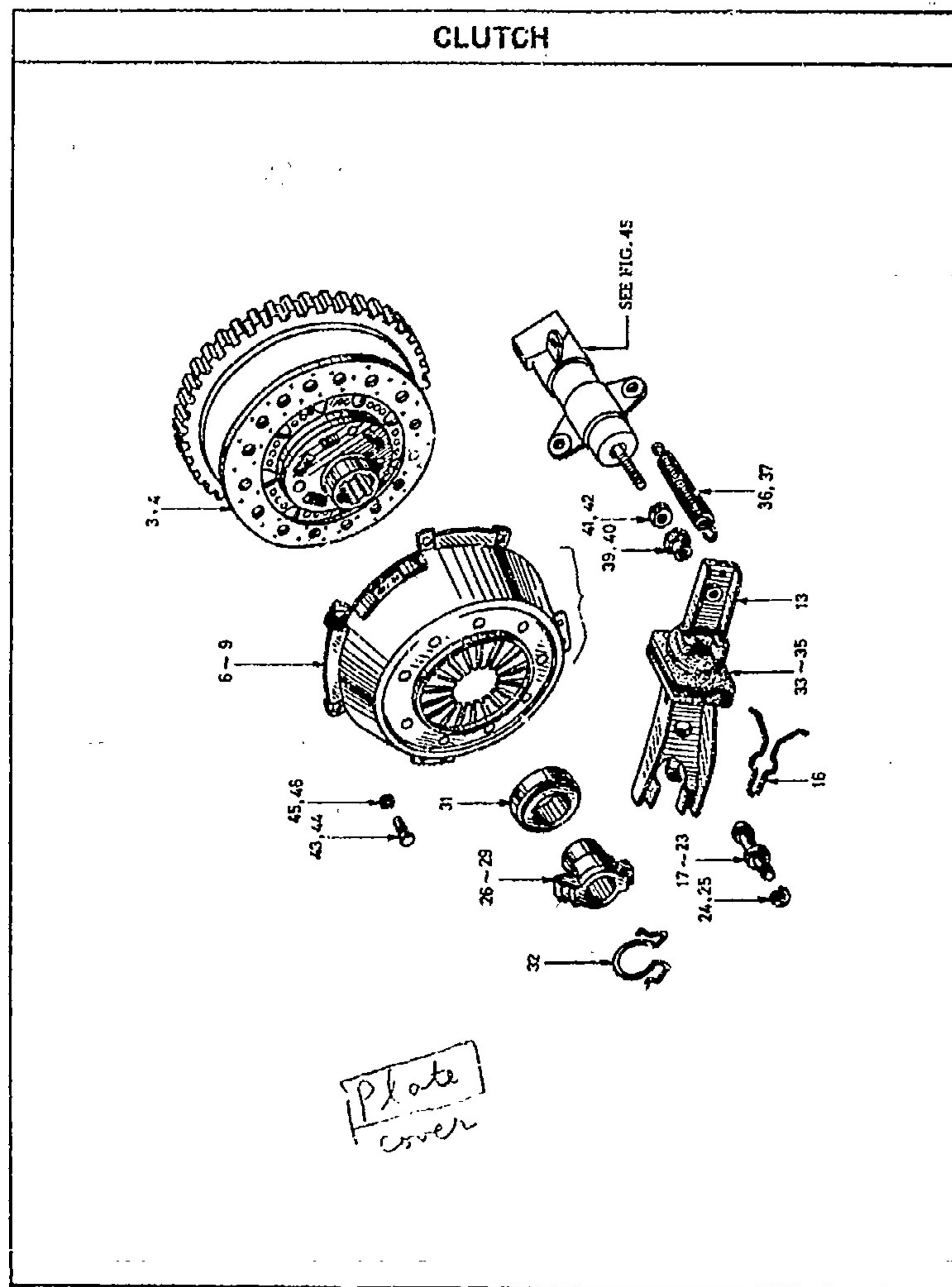


C1

POWER TRAIN



KEY NO.	PART NO.	PART NAME	QTY	SALES UNIT	MODEL	ICA
CLUTCH						
1	30100-14600	ASSY-DISC, CLUTCH	1		ALL	
2	30100-14601	ASSY-DISC, CLUTCH	1	1	ALL	Y
3	30100-14602	ASSY-DISC, CLUTCH (HY50S-17) (FROM E/# R-84479)	1	1	ALL	Y
4	30100-14605	ASSY-DISC, CLUTCH	1	1	ALL	Y
5	30210-14600	ASSY-COVER, CLUTCH (469 KG)	1	1	1.6L	
6	30210-20100	ASSY-COVER, CLUTCH (600K G) (FROM E/# R-40001)	1	1	ALL	N
7	30210-20101	ASSY-COVER, CLUTCH (600K G)	1		ALL	Y
8	30210-20110	ASSY-COVER, CLUTCH (630K G)	1	1	OP, ALL	
9	30210-20111	ASSY-COVER, CLUTCH (630K G)	1		OP, ALL	Y
10	30223-E4100	CAP-SCREW CLUTCH COVER TO FLY WHEEL	6	10	ALL	
11	06015-23010	WASHER-LOCK	6	50	ALL	
12	30531-14602	LEVER, CLUTCH WITHDRAWAL	1	1	1.6L	
13	30531-78002	LEVER, CLUTCH WITHDRAWAL	1	1	2L	
14	30534-14601	SPRING-RETAINER, WITHDRAWAL LEVER	1		1.6L	
15	30534-14602	SPRING-RETAINER, WITHDRAWAL LEVER	1		ALL	Y
16	30534-21000	SPRING-RETAINER, WITHDRAWAL LEVER	1	5	ALL	Y

FIG. 29 C3 NISSAN MOTOR CO., LTD.

S	KEY NO.	PART NO.	PART NAME	QTY	S. UNIT	MODEL	ICA
	17	30537-14600	PIN-BALL, WITHDRAWAL LEVER (TO SEP-67)	1	10	1.6L	
	18	30537-21000	PIN-BALL, WITHDRAWAL LEVER (FROM OCT-67)	1	5	1.6L	N
	19	30537-21001	PIN-BALL WITH VAL LEVER	1		1.6L	N
	20	30537-21010	PIN-BALL WITHDRAWAL LEVER	1	10	1.6L	Y
	21	30537-78100	PIN-BALL, WITHDRAWAL LEVER	1	5	2L	
	22	30537-78001	PIN-BALL, WITHDRAWAL LEVER	1	10	2L	Y
	23	30537-83200	PIN-BALL, WITHDRAWAL LEVER	1	5	2L	Y
	24	00915-11610	WASHER-LOCK	1	50	1.6L	
	25	00915-14010	WASHER-LOCK	1	50	2L	
	26	30501-14601	SLEEVE-BEARING, CLUTCH RELEASE (TO SEP-67)	1	1	ALL	
	27	30501-28000	SLEEVE-BEARING, CLUTCH RELEASE (FROM OCT-67)	1	1	1.6L	N
	28	30501-23001	SLEEVE-BEARING, CLUTCH RELEASE (FROM OCT-67)	1	1	2L	Y
	29	30501-N1601	SLEEVE-BEARING, CLUTCH RELEASE (FROM OCT-67)	1		2L	Y
	30	30502-14600	BEARING-CLUTCH RELEASE	1		1.6L	
	31	30502-14601	BEARING-CLUTCH RELEASE	1	1	ALL	Y
	32	30514-14600	SPRING-HOLDER, BEARING SLEEVE	1	10	ALL	
	33	30542-14601	COVER-DUST, CLUTCH WITH DRAWAL LEVER (TO SEP-67)	1	5	1.6L	
	34	30542-14602	COVER-DUST, CLUTCH WITH DRAWAL LEVER (FROM OCT-67)	1	5	1.6L	N

29 - 2

Printed in Japan

REVISED: MARCH, 1972

NISSAN MOTOR CO., LTD.

FIG. 29

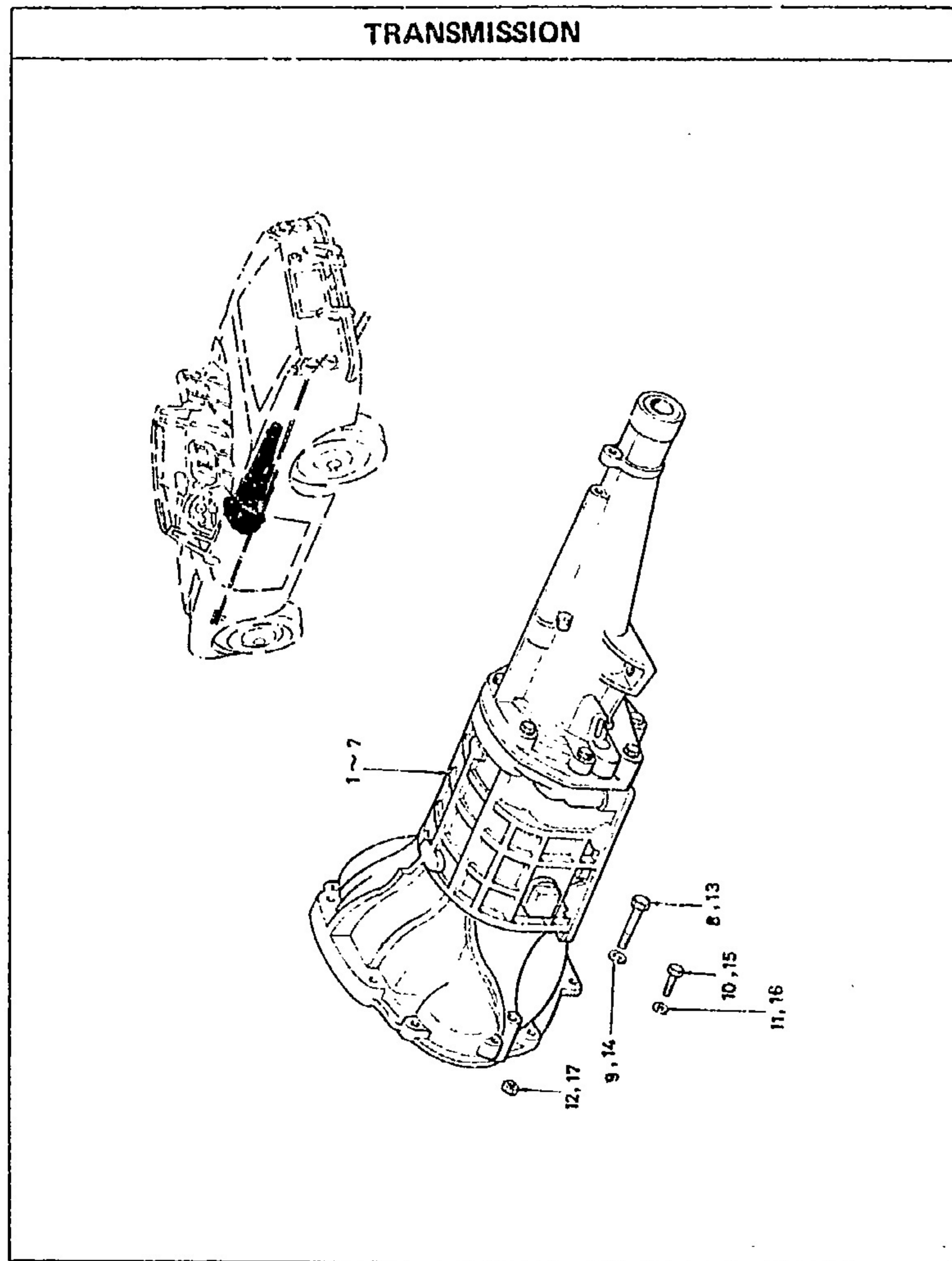
S	KEY NO.	PART NO.	PART NAME	QTY	SALES UNIT	MODEL	ICA
	35	30542-78001	COVER-DUST, CLUTCH WITH DRAWAL	1	5	2L	
	36	30533-14600	SPRING-RETURN	1	10	ALL	
	37	30533-76001	SPRING-RETURN	1	10	ALL	Y
	38	30547-14600	NUT-PUSH, WITHDRAWAL LEVER	1	5	1.6L	
	39	30547-78000	NUT-PUSH, WITHDRAWAL LEVER (FROM E/S R-40001)	1	5	1.6L	Y
	40	30547-78001	NUT-PUSH, WITHDRAWAL LEVER	1	10	2L	
	41	12112-02700	NUT-PAL	1	50	ALL	
	42	00911-34010	NUT-PAL	1	50	1.6L	Y
	43	00124-52210	BOLT (TO E/S R-40000)	6	50	1.6L	
	44	08120-82010	BULY (FROM E/S R-40001) TO FIX CLUTCH COVER	6	50	ALL	N
	45	00915-21510	WASHER-LOCK (TO E/S R-40000)	6	50	1.6L	
	46	00915-23810	WASHER-LOCK (FROM E/S R-40001)	6	50	ALL	N

29 - 3

Printed in Japan

REVISED: MARCH, 1972

FIG. 30-1 C4 NISSAN MOTOR CO., LTD.



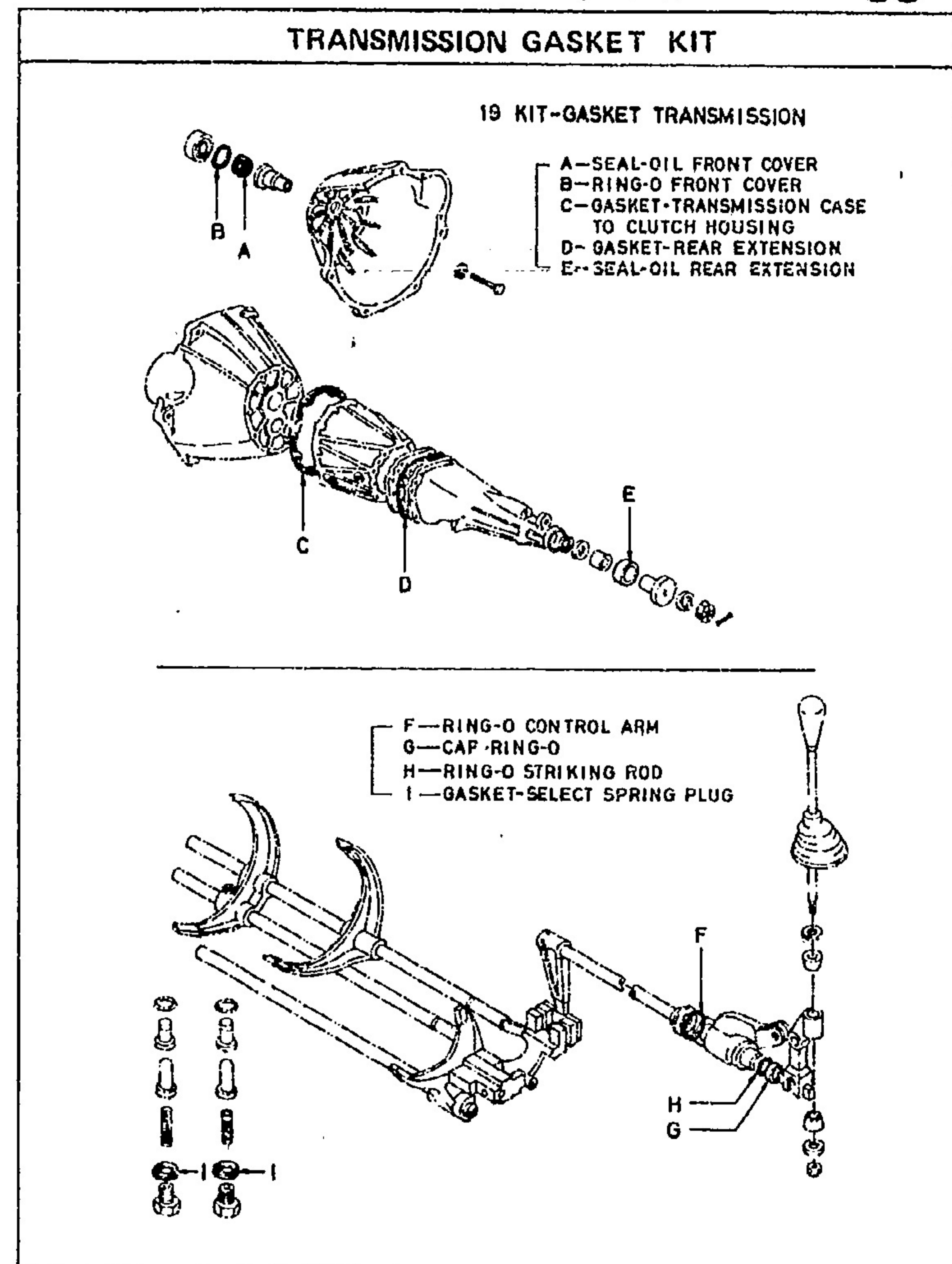
MARCH, 1970

F30 - 1

Printed in Japan

NISSAN MOTOR CO., LTD.

FIG. 30-2



MARCH, 1970

F30-2

Printed in Japan

FIG. 30 C5 NISSAN MOTOR CO., LTD.

S	KEY NO.	PART NO.	PART NAME	QTY	SALES UNIT	MODEL	ICA
TRANSMISSION & GASKET KIT							
EMISSION CONTROL signifies USA & ONTARIO In CANADA.							

30- = 1

Printed in Japan

REVISED: DECEMBER, 1970

NISSAN MOTOR CO., LTD.

FIG. 30

S	KEY NO.	PART NO.	PART NAME	QTY	SALES UNIT	MODEL	ICA
	13	08131-04510	BOLT TRANSMISSION TO ENGINE	4	10	2L	
	14	08915-24010	WASHER-SPRING TRANSMISSION TO ENGINE	4	50	2L	
	15	08110-82010	BOLT-M8 X 1,25 TRANSMISSION CASE TO ENGINE PLATE	2	50	2L	
	16	08915-13810	WASHER-SPRING TRANSMISSION CASE TO ENGINE PLATE	2	50	2L	
	17	08911-10810	NUT-M8 X 1,25 TRANSMISSION CASE TO ENGINE PLATE	2	50	2L	
	18	32010-22026	KIT-GASKET TRANSMISSION	1	1	1,6L	
	19	32010-25525	KIT-GASKET TRANSMISSION	1	1	2L	
	20	32010-25526	KIT-GASKET TRANSMISSION	1	1	2L	Y

30- = 2

Printed in Japan

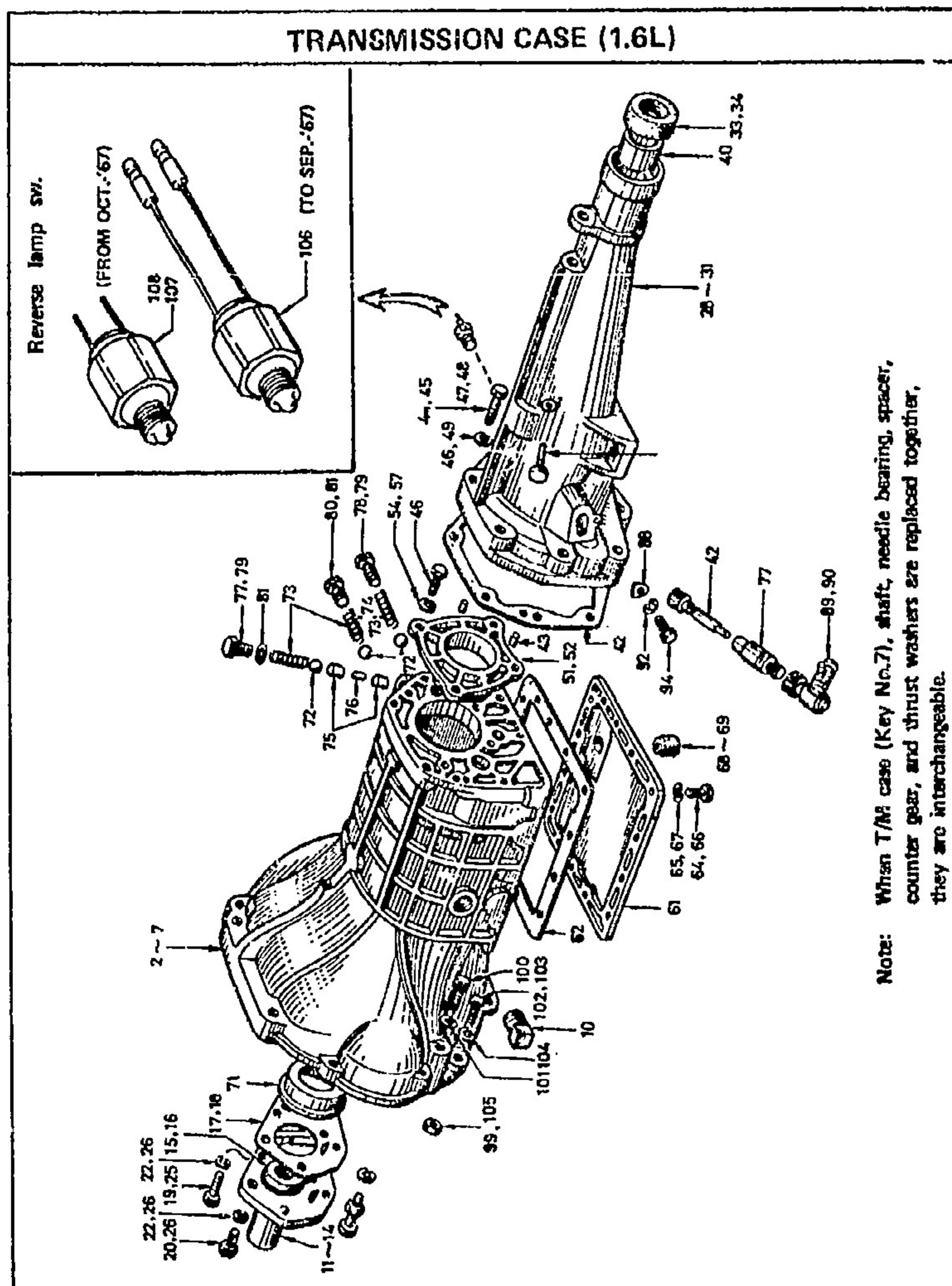
REVISED: DECEMBER, 1970

FIG. 31 C6

NISSAN MOTOR CO., LTD.

NISSAN MOTOR CO., LTD.

FIG. 31



JUNE, 1972

F31 - 1

Printed in Japan

S	KEY NO.	PART NO.	PART NAME	QTY	SALES UNIT	MODEL	ICA
TRANSMISSION CASE (1.6L)							
EMISSION CONTROL signifies USA & ONTARIO in CANADA.							
•	1	32101-14601	COMP.-CASE, TRANSMISSIO N	1		1.6L	
•	2	32101-14602	COMP.-CASE, TRANSMISSIO N	1	1	1.6L	Y
•	3	32101-15800	COMP.-CASE, TRANSMISSIO N (FROM C/# SP311-009A7 , SPL311-004518)	2		1.6L	Y
•	4	32101-18800	CASE-TRANSMISSION (FROM E/# R-40001 TO SEP-67)	1		1.6L	
•	5	32. J1-14602	CASE-TRANSMISSION (FROM E/# R-40001 TO SEP-67)	1	1	1.6L	Y
•	6	32101-14610	CASE-TRANSMISSION (FRO M OCT-67)	1	1	1.6L	N
•	7	32101-A3210	CASE-TRANSMISSION	1	1	1.6L	C
•	8	00931-11200	PLUG-TAPER THREAD	1	10	1.6L	
•	9	32108-00700	PLUG-TAPER THREAD	1	5	1.6L	Y
•	10	00931-11210	PLUG-TAPER THREAD	1	10	1.6L	Y
•	11	32111-14600	COVER-FRONT (TO SEP-67)	1		1.6L	
•	12	32110-14601	COVER-FRONT (TO SEP-67)	1	1	1.6L	Y
•	13	32111-22000	COVER-FRONT (FROM OCT- 67)	1		1.6L	N
•	14	32110-A1100	COVER-FRONT	1	1	1.6L	N
•	15	32113-14601	SEAL-OIL, FRONT COVER	1	10	1.6L	
•	16	32113-N2109	SEAL-OIL, FRONT COVER	1	10	1.6L	Y
•	17	32112-14810	GASKET-FRONT COVER	1	10	1.6L	
•	18	32112-A0900	GASKET-FRONT COVER	1	10	1.6L	N

REVISED: JUNE, 1972

31 - 1

Printed in Japan

FIG. 31 C7 NISSAN MOTOR CO., LTD.

S	KEY NO.	PART NO.	PART NAME	QTY	SALES UNIT	MODEL	ICA
	10	00114-53510	BOLT TO FIX FRONT COVER	2	50	1.6L	
	20	00114-52210	BOLT TO FIX FRONT COVER	3	50	1.6L	
	21	00915-11500	WASHER-SPRING TO FIX FRONT COVER	5		1.6L	
	22	00915-11510	WASHER-SPRING TO FIX FRONT COVER	5	50	1.6L	Y
	23	00110-03510	BOLT HEX TO FIX FRONT COVER (METRIC)	3	25	1.6L	N
	24	00110-02510	BOLT HEX TO FIX FRONT COVER (METRIC)	2	50	1.6L	N
	25	32055-47600	BOLT	2	5	1.6L	Y
	26	00915-13810	WASHER SPRING TO FIX FRONT COVER (METRIC)	5	50	1.6L	N
	27	32130-14600	ASSY-EXTENSION, REAR	1	1	1.6L	
	28	32130-14601	EXTENSION-REAR (FROM E/R R-40001 TO SEP-67)	1	1	1.6L	Y
	29	32130-14610	EXTENSION-REAR (FROM OCT-67 TO DEC-70)	1	1	1.6L EXC EMISSION CONTROL	N
	30	32130-A7400	EXTENSION-REAR (FROM JAN-71)	1		1.6L EXC EMISSION CONTROL	Y
	31	32130-A7700	EXTENSION-REAR (TO DEC-70)	1	1	1.6L EMISSION CONTROL	
	32	32130-A7701	EXTENSION-REAR (FROM JAN-71)	1		1.6L EMISSION CONTROL	Y
	33	32136-07200	SEAL-OIL, REAR EXTENSION	1	10	1.6L	
	34	32136-E0100	SEAL-OIL, REAR EXTENSION	1	5	1.6L	Y
	35	38322-14600	ASSY-BREATHER	1		1.6L	

NISSAN MOTOR CO., LTD.

FIG. 32

S	KEY NO.	PART NO.	PART NAME	QTY	SALES UNIT	MODEL	ICA
	36	38322-20500	ASSY-BREATHER (FROM E/R R-40001)	1	2	1.6L	N
	37	38322-21100	ASSY-BREATHER (METRIC)	1	10	1.6L	N
	38	38322-A0900	ASSY-BREATHER	1	10	1.6L	Y
	39	38322-N0100	ASSY-BREATHER	1	5	1.6L	Y
	40	32132-14601	BUSH-REAR EXTENSION	1	1	1.6L	
	41	32134-14600	GASKET-REAR EXTENSION	1		1.6L	
	42	32134-14610	GASKET-REAR EXTENSION	1	10	1.6L	Y
	43	32133-14600	PIN-DOWEL REAR EXTENSION	2	10	1.6L	
	44	00114-53010	BOLT TO FIX REAR EXTENSION	4	50	1.6L	
	45	00114-54510	BOLT TO FIX REAR EXTENSION (INCH)	4	50	1.6L	
	46	00915-11510	WASHER-SPRING TO FIX REAR EXTENSION (INCH)	5	50	1.6L	
	47	00120-03210	BOLT HEX TO FIX REAR EXTENSION (METRIC)	4	50	1.6L	N
	48	00120-04510	BOLT HEX TO FIX REAR EXTENSION (METRIC)	4	50	1.6L	N
	49	00915-13810	WASHER SPRING TO FIX FRONT COVER (METRIC)	5	50	1.6L	N
	50	32138-14600	RETAINER-BEARING, MAIN SHAFT	1		1.6L	
	51	32132-73200	RETAINER-BEARING, MAIN SHAFT	1	1	1.6L	Y
	52	32138-A0900	RETAINER-BEARING MAIN SHAFT	1	1	1.6L	N
	53	00114-52510	BOLT TO FIX BEARING RETAINER (INCH)	4	50	1.6L	
	54	00915-11510	WASHER-SPRING TO FIX BEARING RETAINER (INCH)	4	50	1.6L	

FIG. 31 C8 NISSAN MOTOR CO., LTD.

S	KEY NO.	PART NO.	PART NAME	QTY	SALES UNIT	MODEL	ICA
	55	00110-82510	BOLT TO FIX BEARING RETAINER (METRIC)	4	50	1.6L	N
	56	32055-47600	BOLT	4	5	1.6L	Y
	57	00915-13810	WASHER SPRING TO FIX BEARING RETAINER	4	50	1.6L	N
	58	32161-14600	COVER-BOTTOM, TRANSMISSION CASE	1		1.6L	
	59	32161-73200	COVER-BOTTOM, TRANSMISSION CASE	1		1.6L	Y
	60	32161-14610	COVER-BOTTOM, TRANSMISSION CASE	1	1	1.6L	Y
	61	32161-A0925	COVER-BOTTOM, TRANSMISSION CASE WITH DRAIN PLUG	1	1	1.6L	Y
	62	32162-14600	GASKET-BOTTOM COVER	1		1.6L	
	63	32162-14610	GASKET-BOTTOM COVER	1	10	1.6L	Y
	64	00114-52510	BOLT TO FIX BOTTOM COVER (INCH)	14	50	1.6L	
	65	00915-11510	WASHER-SPRING TO FIX BOTTOM COVER (INCH)	14	50		
	66	00110-81610	BOLT TO FIX BOTTOM COVER (METRIC)	14	50	1.6L	N
	67	00915-13810	WASHER SPRING TO FIX BOTTOM COVER (METRIC)	14	50	1.6L	N
	68	32103-14600	ASSY-PLUG, DRAIN	1	5	1.6L	
	69	11128-64700	ASSY-PLUG, DRAIN	1	10	1.6L	N
	70	11026-61000	WASHER DRAIN	1	50	1.6L	
	71	32208-14600	RETAINER-BEARING, MAIN DRIVE	1	1	1.6L	
	72	32829-26760	BALL-CHECKING	3	50	1.6L	
	73	32831-00100	SPRING-CHECKING BALL	3	50	1.6L	
	74	32831-48210	SPRING-CHECKING BALL	3	10	1.6L	Y

31 - 4

Printed in Japan

REVISED: JUNE, 1972

NISSAN MOTOR CO., LTD.

FIG. 31

S	KEY NO.	PART NO.	PART NAME	QTY	SALES UNIT	MODEL	ICA
	75	32832-14600	PLUNGER-INTER LOCK	2		1.6L	
	76	32815-36900	PLUNGER-INTER LOCK	2	10	1.6L	Y
	77	32833-14600	PIN-INTER LOCK	1	10	1.6L	
	78	32834-14600	PLUG-CHECKING BALL	2	10	1.6L	
	79	32834-21100	PLUG-CHECKING BALL (METRIC)	2	10	1.6L	N
	80	32835-14600	PLUG-CHECKING BALL	1	10	1.6L	
	81	32835-78000	PLUG-CHECKING BALL (METRIC)	1	10	1.6L	N
	82	32836-14600	WASHER-PLAIN	3	10	1.6L	
	83	32703-14616	ASSY-PINION, SPEEDOMETER (16T)	1	1	1.6L	
	84	32703-22000	PINION-SPEEDOMETER 16T NYLON	1	1	1.6L	Y
	85	32707-14600	ASSY-SLEEVE, SPEEDOMETER PINION	1	1	1.6L	
	86	32712-61000	PIN-RETAINING	2	10	1.6L	
	87	32873-14600	PIN-RETAINING	2	10	1.6L	Y
	88	32718-14600	PLATE-LOCK, SPEEDOMETER SLEEVE	1	10	1.6L	
	89	32730-14600	ADAPTER-SPEEDOMETER PINION	1	1	1.6L	
	90	32730-28500	ADAPTER-SPEEDOMETER PINION (W/CURVED GREASE NIPPLE)	1	1	1.6L	Y
	91	00915-11400	WASHER-SPRING	1		1.6L	
	92	00915-11410	WASHER-SPRING	1	50	1.6L	Y
	93	00114-41610	BOLT	1	50	1.6L	
	94	00110-61210	BOLT	1	50	1.6L	Y
	95	00131-66010	BOLT TO FIX TRANSMISSION (INCH)	4	25	1.6L	

31 - 5

Printed in Japan

REVISED: JUNE, 1972

FIG. 31 C9 NISSAN MOTOR CO., LTD.

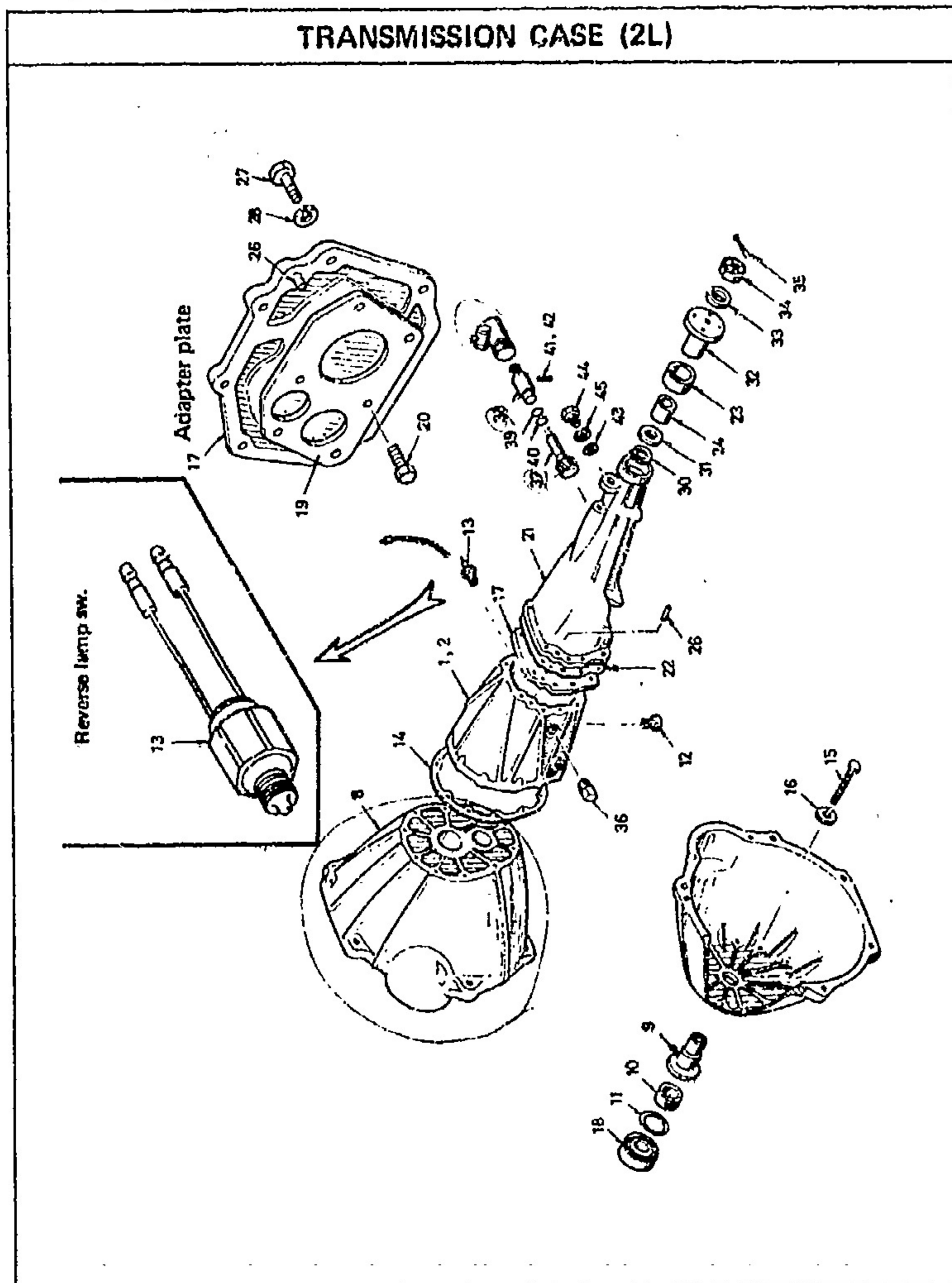
S	KEY NO.	PART NO.	PART NAME	QTY	SALES UNIT	MODEL	ICA
	96	00915-21610	WASHER-SPRING TO FIX TRANSMISSION (INCH)	4	50	1.6L	
	97	00111-52510	BOLT TO FIX TRANSMISSION (INCH)	2	50	1.6L	
	98	00915-11510	WASHER-SPRING TO FIX TRANSMISSION (INCH)	2	50	1.6L	
	99	00911-11510	NUT TO FIX TRANSMISSION (INCH)	2	50	1.6L	
	100	08131-06010	BOLT TO FIX TRANSMISSION (METRIC)	4	25	1.6L	N
	101	08915-24010	WASHER-SPRING TO FIX TRANSMISSION (METRIC)	4	90	1.6L	N
	102	08110-82510	BOLT M8X1.25 TO FIX TRANSMISSION (METRIC)	2	90	1.6L	N
	103	32055-47600	BOLT	2	5	1.6L	Y
	104	00915-13810	WASHER-SPRING TO FIX TRANSMISSION (METRIC)	2	90	1.6L	N
	105	08911-10810	NUT M8X1.25 TO FIX TRANSMISSION (METRIC)	2	50	1.6L	N
	106	25310-14600	COMP-SWITCH REV LAMP (TO SEP-67)	1	1	1.6L	
	107	32005-21100	COMP-SWITCH, REV LAMP (FROM OCT-67)	1	1	1.6L	N
	108	32005-21101	COMP-SWITCH REV LAMP	1	1	1.6L	Y

REVISED: JUNE, 1972

31- - 6

Printed in Japan

FIG. 31A C10 NISSAN MOTOR CO., LTD.



NISSAN MOTOR CO., LTD.

FIG. 31A

S	KEY NO.	PART NO.	PART NAME	QTY	SALES UNIT	MODEL	ICA
			TRANSMISSION CASE (2L)				
•	1	32101-78010	CASE-TRANSMISSION	1	1 2L		
•	2	32101-78012	CASE-TRANSMISSION	1	1 2L		Y
	3	32101-P0700	CASE-TRANSMISSION	1	2L		Y
•	4	32101-78011	CASE-TRANSMISSION	1	1 2L		
•	5	32101-78311	CASE-TRANSMISSION (G.D.C)	1	1 2L		Y
•	6	32101-78312	CASE-TRANSMISSION	1	1 2L		Y
	7	32101-P0701	CASE-TRANSMISSION	1	2L		Y
	8	30401-78201	HOUSING-CLUTCH	1	1 2L		
	9	32110-78000	COVER-FRONT	1	1 2L		
	10	32114-20100	SEAL-OIL, FRONT COVER	1	10 2L		
	11	32115-20100	W-RING, FRONT COVER	1	10 2L		
	12	32103-14600	PLUG-DRAIN	1	10 2L		
	13	32009-21000	ASSY-REVERSE LAMP	1	1 2L		
	14	32118-78000	GASKET-TRANSMISSION CASE TO CLUTCH HOUSING	1	10 2L		
	15	00120-83210	BOLT-M8 X 1.25 TRANSMISSION CASE TO CLUTCH HOUSING	10	50 2L		
	16	00915-23810	WASHER-SPRING TRANSMISSION CASE TO CLUTCH HOUSING	10	50 2L		
	17	32138-78100	PLATE-ADAPTER	1	1 2L		
	18	32273-14100	BEARING-MAIN SHAFT	1	1 2L		
	19	32139-20100	RETAINER-BEARING	1	1 2L		

FIG. 31A C11 NISSAN MOTOR CO., LTD.

S	KEY NO.	PART NO.	PART NAME	QTY	SALES UNIT	MODEL	ICA
•	20	08320-82000	SCREW-MACHINE X 1,25	6	50	2L	
	21	32130-25500	ASSY-EXTENSION, REAR	1	1	2L	
	22	32134-76000	GASKET REAR EXTENSION	1	10	2L	
	23	32136-20100	SEAL-OIL, REAR EXTENSION	1	10	2L	
	24	32203-14360	BEARING, REAR EXTENSION	1	1	2L	
	25	30322-76000	ASSY-WEATHER, REAR EXTENSION	1	5	2L	
	26	32106-20100	DOVEL-TRANSMISSION ADAPTER AND REAR EXTENSION	2	5	2L	
	27	08120-85010	BOLT REAR EXTENSION TO TRANSMISSION CASE	8	25	2L	
	28	08915-23810	WASHER-SPRING REAR EXTENSION TO TRANSMISSION CASE	8	50	2L	
	29	32228-20103	RING-SNAP	1	10	2L	
	30	32228-20104	RING-SNAP	1	10	2L	Y
	31	32144-25500	SPACER	1	10	2L	
	32	32140-20100	FLANGE-COMPANION	1	1	2L	
	33	32268-25500	WASHER-PLAIN	1	5	2L	
	34	08911-05010	NUY	1	50	2L	
	35	00921-43510	PIN-COTTER	1	50	2L	
	36	00931-11210	PLUG-LEVER & FILLER	1	10	2L	
	37	32703-78102	ASSY-PINION, SPEEDOMETER (18T)	1	1	2L	
	38	32707-78000	ASSY-SLEEVE, SPEEDOMETER	1	1	2L	
	39	32709-14600	SEAL-OIL 10 X 16 X 4	1	10	2L	
	40	32710-14600	WASHER-PINION SLEEVE	1	10	2L	

31-A- 2

Printed in Japan

REVISED: DECEMBER, 1971

NISSAN MOTOR CO., LTD.

FIG. 31A

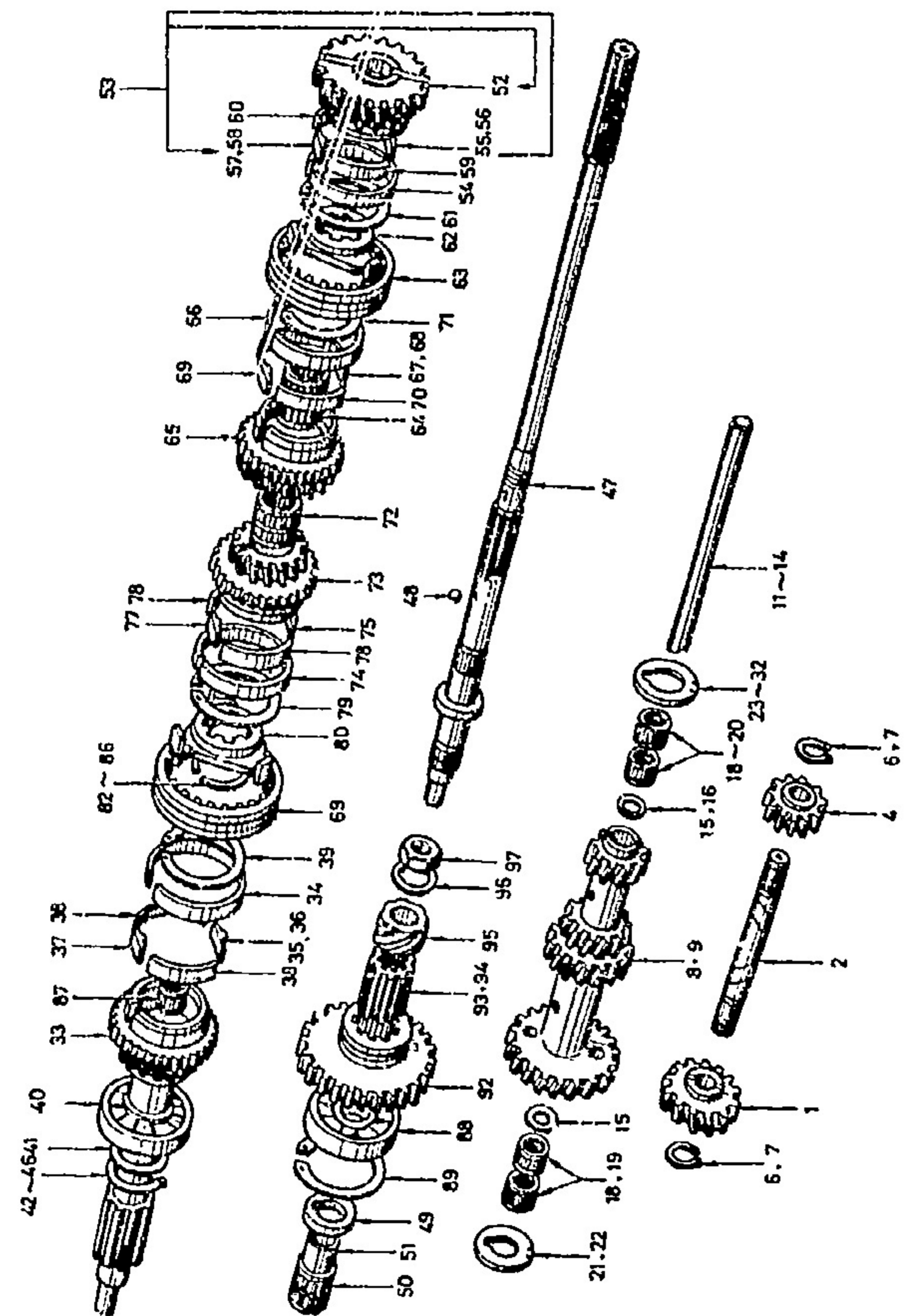
S	KEY NO.	PART NO.	PART NAME	QTY	SALES UNIT	MODEL	ICA
	41	32712-61000	PIN-RETAINING, SPEEDOMETER	1	10	2L	
	42	32873-14600	PIN-RETAINING, SPEEDOMETER	1	10	2L	Y
	43	32718-14600	PLATE-LOCK, SPEEDOMETER	1	10	2L	
	44	08110-61210	BOLT-PLATE LOCK M6	1	50	2L	
	45	08915-13610	WASHER-SPRING	1	50	2L	
	46	32701-66005	GEAR-DRIVE, MAIN SHAFT (6T)	1	1	2L	
	47	32720-36900	BALL-STEEL 1/4	1	20	2L	
	48	32228-20101	RING-SNAP	2	10	2L	

31-A- 3

Printed in Japan

REVISED: DECEMBER, 1971

TRANSMISSION SHAFT & GEAR (1.6L) (SERVO SYNCHRO TYPE)



KEY NO.	PART NO.	PART NAME	QTY	SALES UNIT	MODEL	ICA
TRANSMISSION SHAFT & GEAR (1.6L) (SERVO SYNCHRO TYPE)						
1	32282-14600	GEAR-REVERSE IDLER COUNTER	1	10	1.6L	
2	32281-14601	SHAFT-REVERSE IDLER	1	2	1.6L	
3	32287-14601	WASHER-THRUST, REVERSE IDLER	1	1	1.6L	
4	32284-14600	GEAR-REVERSE IDLER, MAIN	1	1	1.6L	
5	32283-14601	BEARING-NEEDLE, REVERSE IDLER	2	1	1.6L	
6	32285-14603	RING-SNAP, REVERSE IDLER (T=2.00)	1	10	1.6L	
7	32285-14604	RING-SNAP, REVERSE IDLER (T=2.25)	1	10	1.6L	
8	32213-14600	GEAR-COUNTER	1	1	1.6L	
9	32213-A3210	GEAR-COUNTER (NOT ADOPTED)	1	1	1.6L	N
10	32213-A3211	GEAR-COUNTER	1	1	1.6L	Y
11	32211-14600	SHAFT-COUNTER	1	1	1.6L	
12	32211-A0900	SHAFT-COUNTER	1	1	1.6L	N
13	32211-A0901	SHAFT-COUNTER	1	1	1.6L	Y
14	32211-A0951	SHAFT-COUNTER	1	1	1.6L	Y
15	32218-14600	RING-COUNTER SHAFT	4	10	1.6L	
16	32218-A0600	RING-COUNTER SHAFT (NOT ADOPTED)	4	10	1.6L	N
17	32218-A0601	RING-COUNTER SHAFT	4	10	1.6L	Y
18	32219-10600	ASSY-BEARING, NEEDLE	2	1	1.6L	
19	32219-73200	ASSY-BEARING, NEEDLE	2	2	1.6L	Y

FIG. 32 C13 NISSAN MOTOR CO., LTD.

S	KEY NO.	PART NO.	PART NAME	QTY	SALES UNIT	MODEL	ICA
	20	32219-A0600	ASSY-BEARING, NEEDLE	1	50	1.6L	N
	21	32224-14600	WASHER-THRUST, COUNTER, FRONT	1	10	1.6L	
	22	32224-A0900	WASHER-THRUST, COUNTER, FRONT	1	10	1.6L	N
	23	32225-14600	WASHER-THRUST, COUNTER, REAR(T=2,40)	1	10	1.6L	
	24	32225-A0900	WASHER-THRUST, COUNTER, REAR(T=2,40)	1	10	1.6L	N
	25	32225-14601	WASHER-THRUST, COUNTER, REAR(T=2,45)	1	10	1.6L	
	26	32225-A0901	WASHER-THRUST, COUNTER, REAR(T=2,45)	1	10	1.6L	N
	27	32225-14602	WASHER-THRUST, COUNTER, REAR(T=2,50)	1	10	1.6L	
	28	32225-A0902	WASHER-THRUST, COUNTER, REAR(T=2,50)	1	10	1.6L	N
	29	32225-14603	WASHER-THRUST, COUNTER, REAR(T=2,55)	1	10	1.6L	
	30	32225-A0903	WASHER-THRUST, COUNTER, REAR(T=2,55)	1	10	1.6L	N
	31	32225-14604	WASHER-THRUST, COUNTER, REAR(T=2,60)	1	10	1.6L	
	32	32225-A0904	WASHER-THRUST, COUNTER, REAR(T=2,60)	1	10	1.6L	N
	33	32202-14600	COMP. GEAR, MAIN DRIVE	1	10	1.6L	
	34	32611-14600	RING-SYNCHRONIZER	1	5	1.6L	
	35	32612-14601	BLOCK-THRUST, 2ND, 3RD & 4TH	1	1	1.6L	
	36	32612-14603	BLOCK-THRUST, 2ND, 3RD & 4TH	1	10	1.6L	Y
	37	32613-14601	BLOCK-ANCHOR, 2ND, 3RD & 4TH	1	10	1.6L	

32 - 2

Printed in Japan

REVISED: MARCH, 1972

NISSAN MOTOR CO., LTD.

FIG. 32

S	KEY NO.	PART NO.	PART NAME	QTY	SALES UNIT	MODEL	ICA
	38	32614-14600	BAND-BRAKE, 2, 3	2	10	1.6L	
	39	32615-14600	CIRCLIP	1	5	1.6L	
	40	37310-86160	BEARING-MAIN DRIVE GEAR	1	1	1.6L	
	41	32205-14601	WASHER-MAIN DRIVE GEAR	1	10	1.6L	
	42	32204-08000	RING-SNAP, MAIN DRIVE GEAR(T=1,52)	1	5	1.6L	
	43	32204-08001	RING-SNAP, MAIN DRIVE GEAR(T=1,61)	1	5	1.6L	
	44	32204-08002	RING-SNAP, MAIN DRIVE GEAR(T=1,64)	1	5	1.6L	
	45	32204-08003	RING-SNAP, DRIVE GEAR(T=1,74)	1	5	1.6L	
	46	32204-08004	RING-SNAP, MAIN DRIVE GEAR(T=1,77)	1	5	1.6L	
	47	32241-14600	SHAFT-MAIN	1	1	1.6L	
	48	32720-14600	BALL-STEEL(5/32)	1	10	1.6L	
	49	32246-14600	WASHER-THRUST, MAIN SHAFT	1	5	1.6L	
	50	32264-14600	BEARING-NEEDLE, MAIN SHAFT	1	1	1.6L	
	51	32253-14600	BUSH-MAIN SHAFT, 1ST GEAR	1	2	1.6L	
	52	32232-14600	COMP. GEAR, 1ST SPEED, MAIN SHAFT	1	1	1.6L	
	53	32232-14625	SET-GEAR, 1ST SPEED, MAIN SHAFT	1	1	1.6L	Y
	54	32611-14600	RING-SYNCHRONIZER	1	5	1.6L	
	55	32617-14601	BLOCK-THRUST, 1ST	1	1	1.6L	
	56	32617-14610	BLOCK-THRUST, 1ST	1	10	1.6L	N
	57	32618-14601	BLOCK-ANCHOR, 1ST	1	10	1.6L	

32 - 3

Printed in Japan

REVISED: MARCH, 1972

FIG. 32 C14 NISSAN MOTOR CO., LTD.

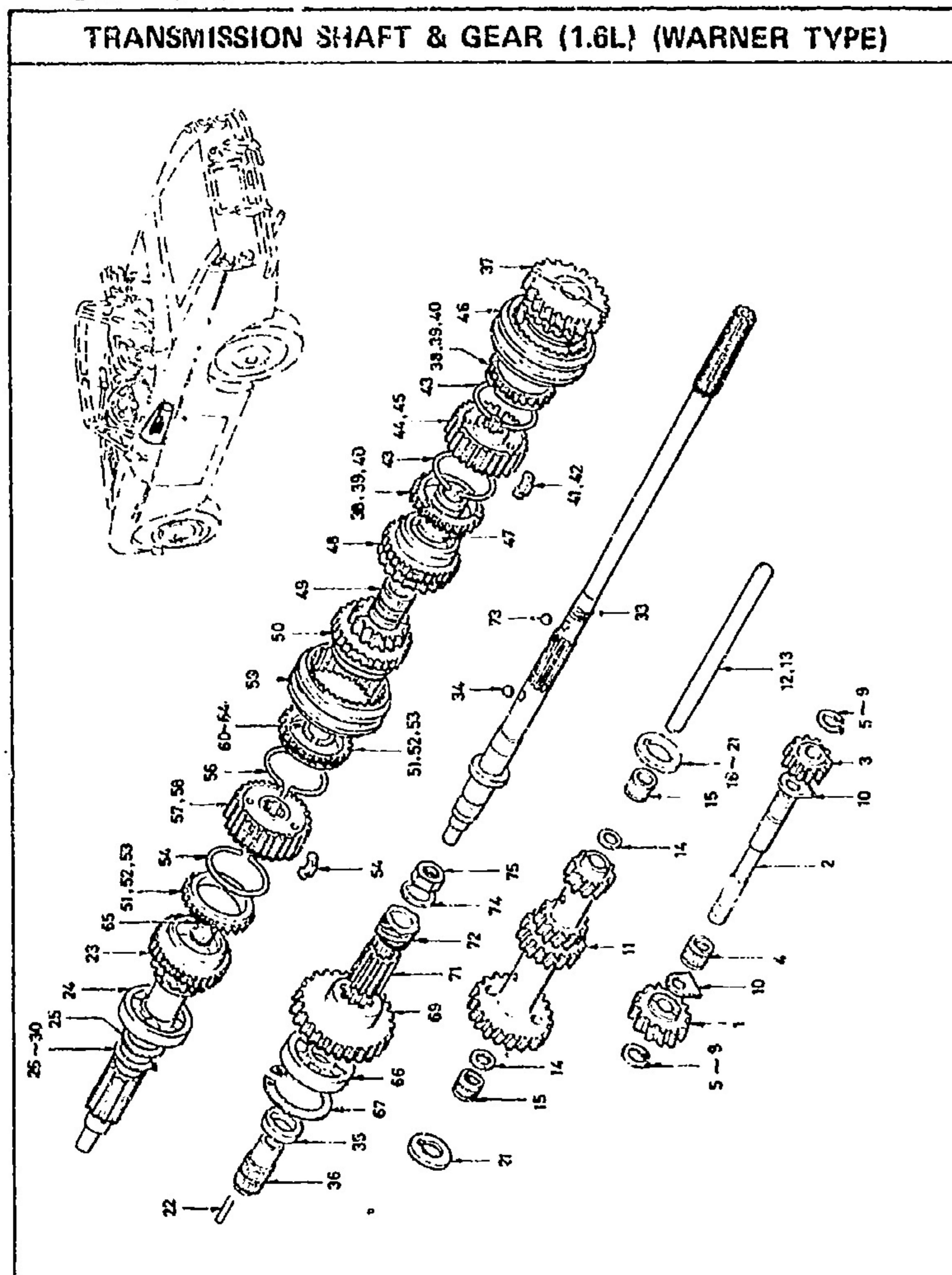
S	KEY NO.	PART NO.	PART NAME	QTY	SALES UNIT	MODEL	ICA
	5 ^R	32613-14601	BLOCK-ANCHOR,1ST	1	10	1.6L	N
	59	32614-14600	BAND-BRAKE,2,5	1	10	1.6L	
	60	32615-14600	BAND-BRAKE,2,2	1	5	1.6L	
	61	32616-14600	CIRCLIP	1	5	1.6L	
	62	32601-14600	HUB-SYNCHRONIZER,1ST & 2ND SPEED	1	1	1.6L	
	63	32606-14600	SLEEVE-COUPLING	1	1	1.6L	
	64	32264-14600	BEARING-NEEDLE,MAIN SHAFT	1	1	1.6L	
	65	32252-14600	COMP.-GEAR,2ND SPEED,MAIN SHAFT	1	1	1.6L	
	66	32611-14600	RING-SYNCHRONIZER	1	5	1.6L	
	67	32612-14601	BLOCK-THRUST,2ND,3RD & 4TH	1	1	1.6L	
	68	32612-14603	BLOCK-THRUST,2ND,3RD & 4TH	1	10	1.6L	Y
	69	32613-14601	BLOCK-ANCHOR,2ND,3RD & 4TH	1	10	1.6L	
	70	32614-14600	BAND-BRAKE,2,5	2	10	1.6L	
	71	32616-14600	CIRCLIP	1	5	1.6L	
	72	32264-14600	BEARING-NEEDLE,MAIN SHAFT	1	1	1.6L	
	73	32262-14600	COMP.-GEAR,3RD SPEED,MAIN SHAFT	1	1	1.6L	
	74	32611-14600	RING-SYNCHRONIZER	1	5	1.6L	
	75	32612-14601	BLOCK-THRUST,2ND,3RD & 4TH	1	1	1.6L	
	76	32612-14603	BLOCK-THRUST,2ND,3RD & 4TH	1	10	1.6L	Y
	77	32613-14601	BLOCK-ANCHOR,2ND,3RD & 4TH	1	1	1.6L	

NISSAN MOTOR CO., LTD.

FIG. 32

S	KEY NO.	PART NO.	PART NAME	QTY	SALES UNIT	MODEL	ICA
	76	32614-14600	BAND-BRAKE,2,5	2	10	1.6L	
	79	32616-14600	CIRCLIP	1	5	1.6L	
	80	32603-14600	HUB-SYNCHRONIZER,3RD & 4TH SPEED	1	1	1.6L	
	81	32606-14600	SLEEVE-COUPLING	1	1	1.6L	
	82	32263-14600	RING-SNAP,SYNCHRONIZER,HUB(T=1.45)	1	10	1.6L	
	83	32263-14601	RING-SNAP,SYNCHRONIZER,HUB(T=1.50)	1	5	1.6L	
	84	32263-14602	RING-SNAP,SYNCHRONIZER,HUB(T=1.50)	1	10	1.6L	
	85	32263-14603	RING-SNAP,SYNCHRONIZER,HUB(T=1.55)	1	10	1.6L	
	86	32263-14604	RING-SNAP,SYNCHRONIZER,HUB(T=1.60)	1	10	1.6L	
	87	32272-14600	BEARING-PILOT,MAIN SHAFT	1	5	1.6L	
	88	32273-36900	BEARING-MAIN SHAFT	1	1	1.6L	
	89	32274-36900	RING-SNAP,MAIN SHAFT BEARING	1	10	1.6L	
	90	32245-14600	GEAR-REVERSE,MAIN SHAFT	1	1	1.6L	
	91	32245-A0950	GEAR-REVERSE,MAIN SHAFT	1	1	1.6L	Y
	92	32259-14600	HUB-REVERSE,MAIN SHAFT	1	1	1.6L	
	93	32258-A0900	HUB-REVERSE,MAIN SHAFT	1	1	1.6L	Y
	94	32258-14610	HUB-REVERSE,MAIN SHAFT	1	1	1.6L	Y
	95	32701-15800	GEAR-DRIVE,SPEEDOMETER	1	1	1.6L	
	96	32141-14600	WASHER-LOCK,MAIN SHAFT	1	10	1.6L	
	97	32142-26760	NUT-MAIN SHAFT	1	5	1.6L	

FIG. 32A C15 NISSAN MOTOR CO., LTD.



MARCH, 1972

F32A - 1

Printed in Japan

NISSAN MOTOR CO., LTD.

FIG. 32A

KEY NO.	PART NO.	PART NAME	QTY	SALES UNIT	MODEL	CA
TRANSMISSION SHAFT & GEAR (1.6L) (WARNER TYPE)						
1	32282-14608	GEAR REVERSE	1	10	1.6L WARNER	
2	32281-14601	SHAFT REVERSE	1	2	1.6L WARNER	
3	32284-14608	GEAR REVERSE	1	1	1.6L WARNER	
4	32283-14601	BEARING NEEDLE REVERSE IDLER	1	1	1.6L WARNER	
5	32285-14608	RING SNAP T1.2	1	10	1.6L WARNER	
6	32285-14601	RING SNAP T1.4	1	10	1.6L WARNER	
7	32285-14602	RING SNAP T1.3	1	10	1.6L WARNER	
8	32285-14603	RING SNAP T1.5	1	10	1.6L WARNER	
9	32285-14604	RING SNAP T1.1	1	10	1.6L WARNER	
10	32287-14608	WASHER THRUST REVERSE IDLER	2	2	1.6L WARNER	
11	32213-A5211	GEAR COUNTER	1	2	1.6L WARNER	
12	32211-A0901	SHAFT COUNTER	1	1	1.6L WARNER	
13	32211-A0951	SHAFT COUNTER	1	1	1.6L WARNER	Y
14	32218-A0601	SPACER COUNTER	2	10	1.6L WARNER	
15	32219-A0608	ASSY BEARING NEEDLE	2	50	1.6L WARNER	

REVISED: MARCH, 1972

32-A- 1

Printed in Japan

FIG. 32A C16 NISSAN MOTOR CO., LTD.

S	KEY NO.	PART NO.	PART NAME	QTY	SALES UNIT	MODEL	ICA
	16	32224-A0900	WASHER THRUST T2.35	1	10	1.6L WARNER	
	17	32225-A0900	WASHER THRUST T2.40	1	10	1.6L WARNER	
	18	32225-A0901	WASHER THRUST T2.45	1	10	1.6L WARNER	
	19	32223-A0902	WASHER THRUST T2.50	1	10	1.6L WARNER	
	20	32223-A0903	WASHER THRUST T2.60	1	10	1.6L WARNER	
	21	32225-A0904	WASHER THRUST T2.60	1	10	1.6L WARNER	
	22	32202-14600	PIN RETAINING	1	10	1.6L WARNER	
	23	32200-A3310	MAIN DRIVE GEAR	1	1	1.6L WARNER	
	24	37510-86160	BEARING-MAIN DRIVE	1	1	1.6L WARNER	
	25	32205-08902	SPACER H/DRIVE	1	10	1.6L WARNER	
	26	32204-08800	RING SNAP H/D T1.52	1	5	1.6L WARNER	
	27	32204-08801	RING SNAP H/D T1.61	1	5	1.6L WARNER	
	28	32204-08802	RING SNAP H/D T1.69	1	5	1.6L WARNER	
	29	32204-08803	RING SNAP H/D T1.74	1	5	1.6L WARNER	
	30	32204-08804	RING SNAP H/D T1.77	1	5	1.6L WARNER	
	31	32204-16500	RING SNAP H/D	1	10	1.6L WARNER	
	32	32204-16501	RING SNAP H/D	1	10	1.6L WARNER	

32-A- 2

Printed in Japan

REVISED: MARCH, 1972

NISSAN MOTOR CO., LTD.

FIG. 32A

S	KEY NO.	PART NO.	PART NAME	QTY	SALES UNIT	MODEL	ICA
	33	32241-14600	SHAFT MAIN	1	1	1.6L WARNER	
	34	32720-14600	BALL STEEL 5/32	1	10	1.6L WARNER	
	35	32246-14600	WASHER THRUST	7	5	1.6L WARNER	
	36	32264-14600	BEARING NEEDLE H/S	1	1	1.6L WARNER	
	37	32230-73201	GEAR 1ST H/S	1	1	1.6L WARNER	
	38	32604-14810	RING GAULK	2	1	1.6L WARNER	
	39	32604-A4610	RING GAULK	2	1	1.6L WARNER	Y
	40	32604-P0100	RING-GAULK	2	1	1.6L WARNER	Y
	41	32609-73200	INSERT SHIFTING	3	10	1.6L WARNER	
	42	32609-73201	INSERT-SHIFTING	3	10	1.6L WARNER	Y
	43	32603-73200	SPRING SPREAD	2	10	1.6L WARNER	
	44	32601-A8610	HUB-SYNCHRONIZER 1ST & 2ND	1	1	1.6L WARNER	
	45	32601-73200	HUB-SYNCHRONIZER 1ST & 2ND	1	1	1.6L WARNER	Y
	46	32606-73200	SLEEVE COUPLING	1	1	1.6L WARNER	
	47	32264-14600	BRG NEEDLE H/S	1	1	1.6L WARNER	
	48	32250-16510	ASSY GEAR 2ND	1	1	1.6L WARNER	
	49	32264-14600	BEARING NEEDLE H/S	1	1	1.6L WARNER	

32-A- 3

Printed in Japan

REVISED: MARCH, 1972

FIG. 32A D1 NISSAN MOTOR CO., LTD.

S KEY NO.	PART NO.	PART NAME	QTY	SALES UNIT	MODEL	ICA
50	32260-16510	GEAR 3RD SPEED	1	1	1.6L WARNER	
51	32604-14610	RING BAULK	2	1	1.6L WARNER	
52	32604-A4610	RING BAULK	2	1	1.6L WARNER	Y
53	32604-70100	RING-BAULK	2	1	1.6L WARNER	Y
54	32609-73200	INSERT SHIFTING	3	10	1.6L WARNER	
55	32609-73201	INSERT-SHIFTING	3	10	1.6L WARNER	Y
56	32603-73200	SPRING SPREADED	2	10	1.6L WARNER	
57	32605-73201	HUB-SYNCHRONIZER 3RD & 4TH	1	1	1.6L WARNER	
58	32605-A0610	HUB-SYNCHRONIZER 3RD & 4TH	1	1	1.6L WARNER	Y
59	32606-73200	SLEEVE COUPLING	1	1	1.6L WARNER	
60	32263-14600	RING SNAP T8.60	1	10	1.6L WARNER	
61	32263-14601	RING SNAP T8.45	2	5	1.6L WARNER	
62	32263-14602	RING SNAP T8.50	1	10	1.6L WARNER	
63	32263-14603	RING SNAP T8.55	2	10	1.6L WARNER	
64	32263-14604	RING SNAP T8.60	1	10	1.6L WARNER	
65	32272-14600	BEARING PILOT N/S	1	5	1.6L WARNER	
66	32273-36900	BEARING MAIN SHAFT	1	1	1.6L WARNER	

32-A-4

Printed in Japan

REVISED: MARCH, 1972

NISSAN MOTOR CO., LTD.

FIG. 32A

S KEY NO.	PART NO.	PART NAME	QTY	SALES UNIT	MODEL	ICA
67	32274-36900	RING SNAP N/S	1	10	1.6L WARNER	
68	32249-14600	GEAR REV N/S	1	1	1.6L WARNER	
69	32245-A0950	GEAR REV N/S	1	1	1.6L WARNER	Y
70	32258-14600	HUB REV N/S	1	1	1.6L WARNER	
71	32258-A0900	HUB REV N/S	1	1	1.6L WARNER	Y
72	32701-15800	GEAR 5/METER (ST)	1	1	1.6L WARNER	
73	32728-36900	BALL STEEL	1	20	1.6L WARNER	
74	34414-26760	WASHER LOCK N/S	1	50	1.6L WARNER	
75	32142-26760	NUT N/SHAFT	1	5	1.6L WARNER	

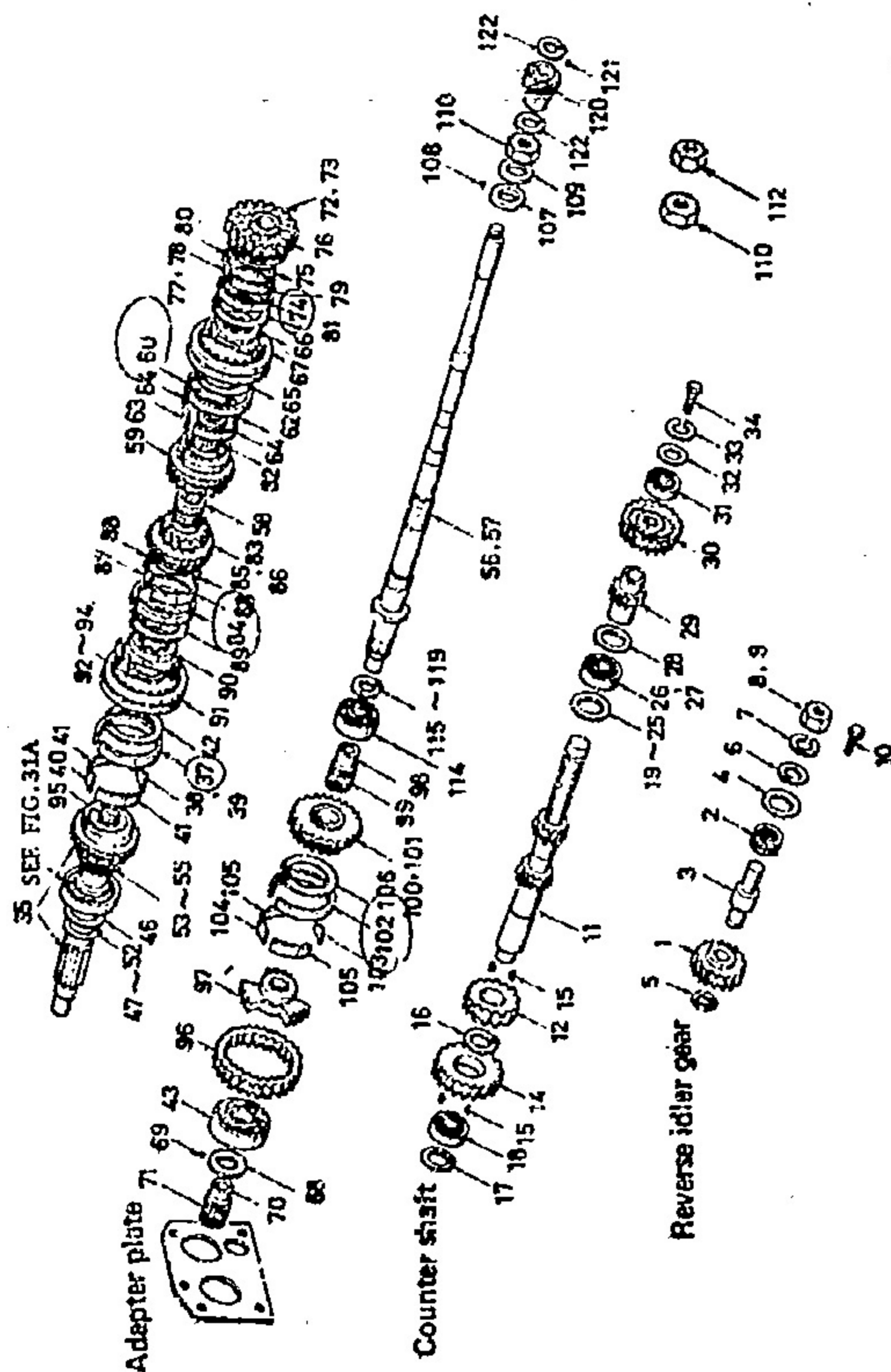
32-A-5

Printed in Japan

REVISED: MARCH, 1972

TRANSMISSION SHAFT & GEAR (2L) (SERVO SYNCHRO TYPE)

Note: Key No. 36 inc. 35 & 13.
 Note: Key No. 73 inc. 78 Gear 1st.



S	KEY NO.	PART NO.	PART NAME	QTY	SALES UNIT	MODEL	ICA
TRANSMISSION SHAFT & GEAR (2L) (SERVO SYNCHRO TYPE)							
	1	32282-78010	GEAR-REVERSE IDLER	1	2L		
	2	32272-36900	BEARING-NEEDLE 20 X 26 X 20	2	2L		
	3	32281-78010	SHAFT-REVERSE IDLER GEAR	1	2L		
	4	32284-78000	WASHER-THRUST REVERSE IDLER	2	2L		
	5	32285-20100	RING-SNAP, REVERSE IDLER	1	2L		
	6	32294-78010	WASHER-PLAIN	1	10 2L		
	7	00915-14410	WASHER-SPRING	1	50 2L		
	8	00911-34410	NUT-REVERSE IDLER SHAFT M14 X 1.5	1	50 2L		
	9	01211-00011	NUT-REVERSE IDLER SHAFT	1	2L		Y
	10	32290-78000	SET-SCREW, REVERSE IDLER	1	10 2L		
	11	32212-25501	SHAFT-COUNTER, (1119T, 2119T)	1	2L		
	12	32216-78010	GEAR-COUNTER, 3RD, 26T	1	2L		
	13	32217-78000	GEAR-COUNTER, 4TH, 28T	1	2L		
	14	32200-25550	GEAR-COUNTER, 4TH, 28T	1	2L		Y
	15	00926-51600	KEY-WOODRUFF	4	10 2L		
	16	00922-13200	RING-SNAP	1	50 2L		
	17	00922-12800	RING-SNAP	1	50 2L		
	18	32273-14360	BEARING-COUNTER SHAFT	1	2L		

FIG. 32B D3 NISSAN MOTOR CO., LTD.

S	KEY NO.	PART NO.	PART NAME	QTY	SALES UNIT	MODEL	ICA
	19	32218-20100	SHIM-BEARING, COUNTER SHAFT T 1.0	1	10	2L	
	20	32218-20101	SHIM-BEARING, COUNTER SHAFT T 0.9	1	10	2L	
	21	32218-20102	SHIM-BEARING, COUNTER SHAFT T 0.8	1	10	2L	
	22	32218-20103	SHIM-BEARING, COUNTER SHAFT T 0.7	1	10	2L	
	23	32218-20104	SHIM-BEARING, COUNTER SHAFT T 0.6	1	10	2L	
	24	32218-20105	SHIM-BEARING, COUNTER SHAFT T 0.5	1	10	2L	
	25	32218-20106	SHIM-BEARING, COUNTER SHAFT T 0.4	1	10	2L	
	26	32203-14360	BEARING-COUNTER SHAFT	1	1	2L	
	27	32203-20106	BEARING-COUNTER SHAFT	1	1	2L	Y
	28	32224-20100	RING-BEARING, COUNTER SHAFT	1	10	2L	
	29	32229-25500	GEAR-COUNTER SHAFT, REVERSE	1	1	2L	
	30	32310-25500	GEAR-COUNTER SHAFT, OVER DRIVE (5TH)	1	1	2L	
	31	21030-15760	BEARING-COUNTER SHAFT, OVER DRIVE	1	1	2L	
	32	08015-54010	WASHER-COUNTER SHAFT	1	50	2L	
	33	08015-14010	WASHER-SPRING	1	50	2L	
	34	32236-25500	GULF-HEXAGON HEAD NUT X 1.5	1	10	2L	
	35	32200-25500	ASSY-GEAR, MAIN DRIVE	1	1	2L	
	36	32200-25550	SET-GEAR DRIVE H/D	1	1	2L	Y
	37	32611-14600	RING-SYNCHRONIZER	1	5	2L	
	38	32612-14601	BLOCK-THRUST	1	1	2L	

32-B-2

Printed in Japan

REVISED: MARCH, 1972

NISSAN MOTOR CO., LTD.

FIG. 32B

S	KEY NO.	PART NO.	PART NAME	QTY	SALES UNIT	MODEL	ICA
	39	32612-14603	BLOCK-THRUST, 2ND, 3RD & 4TH	1	10	2L	Y
	40	32613-14601	BLOCK-ANCHOR	1	10	2L	
	41	32614-14608	BAND-BRAKE, 2, 5	2	10	2L	
	42	32615-14600	CIRCLIP	1	5	2L	
	43	32273-04100	BEARING-MAIN DRIVE	1	1	2L	
	44	32205-20100	SPACER-MAIN DRIVE BRO T2 (TO SEP-67)	1	10	2L	
	45	32205-20101	SPACER-MAIN DRIVE BRO T2.1 (TO SEP-67)	1	10	2L	
	46	32205-20102	SPACER-MAIN DRIVE BRO T2.2 (TO SEP-67)	1	10	2L	
	47	32204-78800	RING-SNAP, MAIN DRIVE GEAR T1.80 (FROM OCT-67)	1	5	2L	
	48	32204-78801	RING-SNAP, MAIN DRIVE GEAR T1.97 (FROM OCT-67)	1	5	2L	N
	49	32204-78802	RING-SNAP, MAIN DRIVE GEAR T1.84 (FROM OCT-67)	1	5	2L	N
	50	32204-78803	RING-SNAP, MAIN DRIVE GEAR T2.01 (FROM OCT-67)	1	5	2L	N
	51	32204-78804	RING-SNAP, MAIN DRIVE GEAR T2.08 (FROM OCT-67)	1	5	2L	N
	52	32204-20100	RING-SNAP, MAIN DRIVE (TO SEP-67)	1	5	2L	
	53	32207-20100	RING-SNAP, MAIN DRIVE BEARING T 1.2	1	10	2L	
	54	32207-20101	RING-SNAP, MAIN DRIVE BEARING T 1.4	1	10	2L	
	55	32207-20102	RING-SNAP, MAIN DRIVE BEARING T 1.6	1	10	2L	

32-B-3

Printed in Japan

REVISED: MARCH, 1972

FIG. 32B D4 NISSAN MOTOR CO., LTD.

S	KEY NO.	PART NO.	PART NAME	QTY	SALES UNIT	MODEL	ICA
	56	32241-25525	KIT-MAIN SHAFT	1	2L		
	57	32241-25500	SHAFT-MAIN	1	2L		Y
	58	32264-14600	BEARING-NEEDLE ROLLER	1	2L		
	59	32250-25501	ASSY-GEAR, 2ND	1	2L		
	60	32611-14600	RING-SYNCHRONIZER	1	5 2L		
	61	32612-14601	BLOCK-THRUST	1	2L		
	62	32612-14603	BLOCK-THRUST, 2ND, 3RD, & 4TH	1	10 2L		Y
	63	32613-14601	BLOCK-ANCHOR	1	10 2L		
	64	32614-14600	BAND-BRAKE, 2, 5	2	10 2L		
	65	32616-14600	CIRCLIP	1	5 2L		
	66	32601-14600	HUB-SYNCHRONIZER	1	2L		
	67	32606-14600	SLEEVE-COUPLING, SYNCHRONIZER	1	2L		
	68	32246-78000	WASHER-THRUST, MAIN SHAFT	1	5 2L		
	69	32247-20100	BALL-THRUST WASHER, MAIN SHAFT	1	50 2L		
	70	32253-14600	BUSH-1ST SPEED, MAIN SHAFT	1	2 2L		
	71	32264-14600	BEARING-NEEDLE, ROLLER	1	2L		
	72	32242-25501	ASSY-GEAR, 1ST	1	2L		
	73	32242-25525	SET-GEAR, 1ST & BLOCKS WITHOUT BAND	1	2 2L		Y
	74	32611-14600	RING-SYNCHRONIZER	1	5 2L		
	75	32617-14601	BLOCK-THRUST	1	2L		
	76	32617-14610	BLOCK-THRUST	1	10 2L		N
	77	32618-14601	BLOCK-ANCHOR	1	10 2L		
	78	32613-14601	BLOCK-ANCHOR	1	10 2L		N

32-B- 4

Printed in Japan

REVISED: MARCH, 1972

NISSAN MOTOR CO., LTD.

FIG. 32B

S	KEY NO.	PART NO.	PART NAME	QTY	SALES UNIT	MODEL	ICA
	79	32614-14600	BAND-BRAKE 2, 5 (FOR 32242-25501)	1	10 2L		
	80	32615-14600	BAND-BRAKE 2, 2 (FOR 32242-25501)	1	5 2L		
	81	32616-14600	CIRCLIP	1	5 2L		
	82	32264-14600	BEARING-NEEDLE, ROLLER	1	2 2L		
	83	32250-25501	ASSY-GEAR, 3RD	1	2L		
	84	32611-14600	RING-SYNCHRONIZER	1	5 2L		
	85	32612-14601	BLOCK-THRUST	1	2L		
	86	32612-14603	BLOCK-THRUST, 2ND, 3RD, & 4TH	1	10 2L		Y
	87	32613-14601	BLOCK-ANCHOR	1	10 2L		
	88	32614-14600	BAND-BRAKE, 2, 5	2	10 2L		
	89	32616-14600	CIRCLIP	1	5 2L		
	90	32601-14600	HUB-SYNCHRONIZER	1	2L		
	91	32606-14600	SLEEVE-COUPLING, SYNCHRONIZER	1	2L		
	92	32263-14601	RING-SNAP, SYNCHRONIZER T 1.50	1	5 2L		
	93	32263-14602	RING-SNAP, SYNCHRONIZER T 1.55	1	10 2L		
	94	32263-14603	RING-SNAP, SYNCHRONIZER T 1.60	1	10 2L		
	95	32272-36900	BEARING-MAIN SHAFT PILE OT	1	2 2L		
	96	32245-25500	ASSY-GEAR, REVERSE, MAIN SHAFT	1	2L		
	97	32258-25500	HUB-SYNCHRONIZER, OVER DRIVE	1	2 2L		
	98	32349-25500	BUSH-OVER DRIVE, MAIN SHAFT	1	2 2L		

32-B- 5

Printed in Japan

REVISED: MARCH, 1972

FIG. 32B D5 NISSAN MOTOR CO., LTD.

S	KEY NO.	PART NO.	PART NAME	QTY	SALES UNIT	MODEL	ICA
	99	32350-25500	BEARING-NEEDLE, OVER DRIVE, MAIN SHAFT	2	1	2L	
	100	32340-25500	ASSY-GEAR, OVER DRIVE, MAIN SHAFT	1	1	2L	
	101	32340-25501	ASSY-GEAR, OVER DRIVE, MAIN SHAFT	1		2L	Y
	102	32361-20100	RING-SYNCHRONIZER	1	1	2L	
	103	32362-20100	BLOCK-THRUST	1	10	2L	
	104	32363-20100	BLOCK-ANCHOR	1	10	2L	
	105	32364-20100	BAND-BRAKE, 2, 5	2	5	2L	
	106	32366-20100	CIRCLIP	1	10	2L	
	107	32352-25501	WASHER-THRUST, OVER DRIVE, MAIN SHAFT	1	5	2L	
	108	32247-20100	BALL-THRUST WASHER, MAIN SHAFT	1	50	2L	
	109	32353-70001	PLATE-LOCK T O, B (TO C/N SEE FIG)	1	10	2L	
	110	32354-25501	NUT-HEXAGON (FROM C/N SEE FIG)	1	10	2L	N
	111	32354-25500	NUT-HEXAGON M27X1,0	1	10	2L	
	112	32354-25501	NUT-HEX, M27X1,0 FOR 32241-25500	1	10	2L	Y
	113	32354-A7400	NUT-HEX, M27X1,0 (FOR 32241-25525)	1	1	2L	N
	114	32203-14360	BEARING-OVER DRIVE, MAIN SHAFT	1	1	2L	
	115	32228-20100	RING-SNAP, T 1,1	AP	10	2L	
	116	32228-20101	RING-SNAP, T 1,2	AP	10	2L	
	117	32228-20102	RING-SNAP, T 1,3	AP	10	2L	
	118	32228-20103	RING-SNAP, T 1,4	AP	10	2L	
	119	32228-20104	RING-SNAP, T 1,4	AP	10	2L	Y

32-B-6

Printed in Japan

REVISED: MARCH, 1972

NISSAN MOTOR CO., LTD.

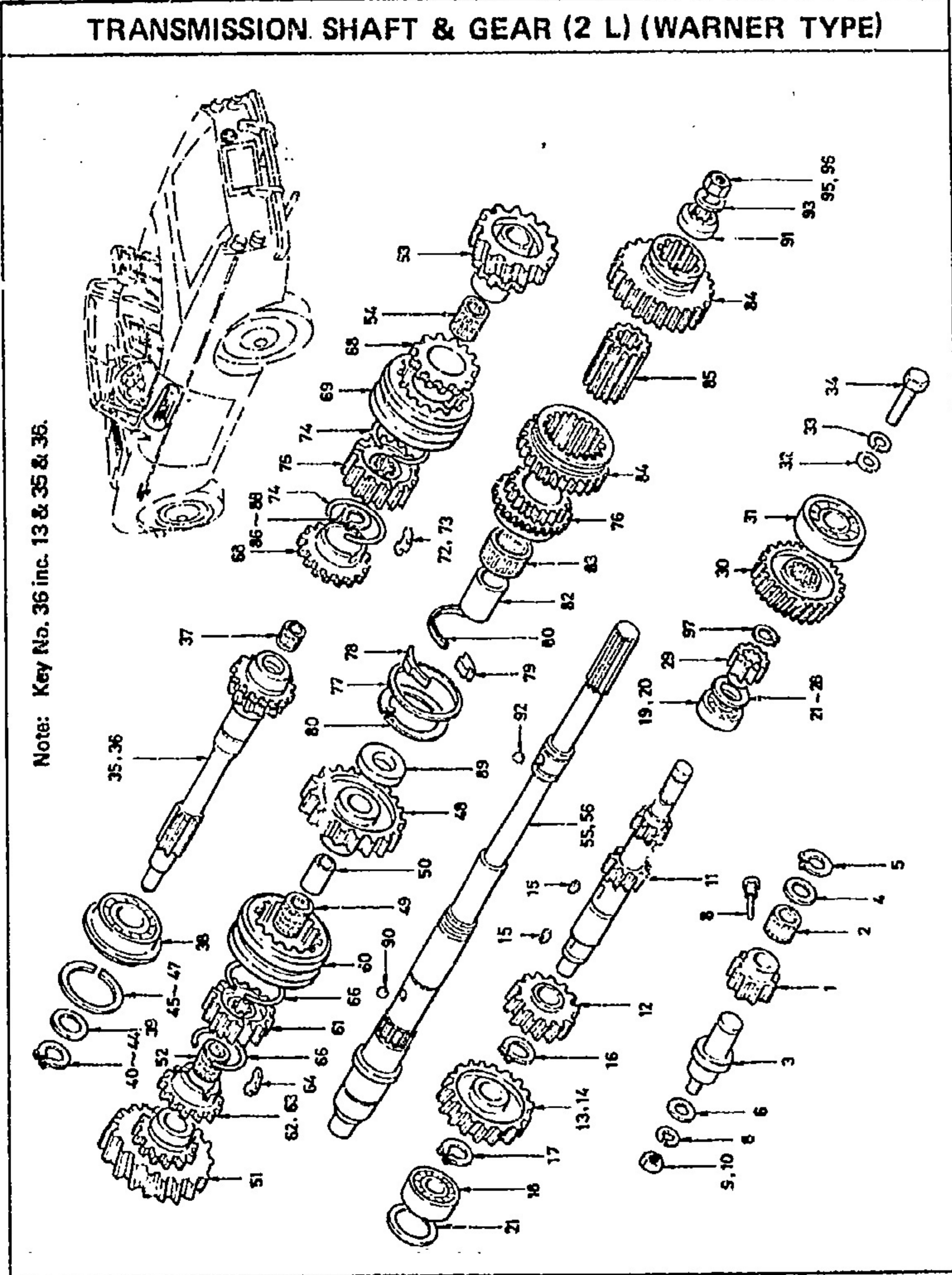
FIG. 32B

S	KEY NO.	PART NO.	PART NAME	QTY	SALES UNIT	MODEL	ICA
	120	32701-66005	GEAR-DRIVE, MAIN SHAFT (GT)	1	1	2L	
	121	32720-36900	BALL-STEEL 1/4	1	20	2L	
	122	32228-20101	RING-SNAP	2	10	2L	

32-B-7

Printed in Japan

REVISED: MARCH, 1972



KEY NO.	PART NO.	PART NAME	QTY	SALES UNIT	MODEL	ICA
TRANSMISSION SHAFT & GEAR (2L) (WARNER TYPE)						
1	32282-78010	GEAR-REVERSE IDLER	1	1	2L WARNER	
2	32272-36900	BEARING-NEEDLE 20X26Y20	1	1	2L WARNER	
3	32281-78010	SHAFT-REVERSE IDLER	1	1	2L WARNER	
4	32284-78000	WASHER-THRUST REVERSE	2	5	2L WARNER	
5	32285-20100	RING-SNAP REVERSE IDLER	1	5	2L WARNER	
6	32294-78010	WASHER-PLAIN	1	10	2L WARNER	
7	32290-78000	SCREW-SET REVERSE IDLER	1	10	2L WARNER	
8	08915-14410	WASHER-SPRING	1	50	2L WARNER	
9	08911-34410	NUT-REVERSE IDLER SHAFT	1	50	2L WARNER	
10	01211-00011	NUT-REVERSE IDLER SHAFT	1		2L WARNER	Y
11	32212-25501	SHAFT-COUNTER	1	1	2L WARNER	
12	32216-78010	GEAR-3RD SPEED COUNTER	1	1	2L WARNER	
13	32217-78000	GEAR-DRIVE COUNTER SHAFT (SEE NOTE)	1	1	2L WARNER	
14	32200-25550	GEAR-DRIVE COUNTER	1	1	2L WARNER	Y
15	00926-51600	KEY-WOODRUFF	4	10	2L WARNER	
16	00922-13200	RING-SNAP	1	50	2L WARNER	
17	00922-12800	RING-SNAP	1	50	2L WARNER	
18	32273-14360	BEARING-COUNTER SHAFT FRONT	1	1	2L WARNER	
19	32203-14360	BEARING-COUNTER SHAFT REAR	1	1	2L WARNER	

FIG. 32c D7 NISSAN MOTOR CO., LTD.

S	KEY NO.	PART NO.	PART NAME	QTY	SALES UNIT	MODEL	ICA
	20	32203-E0100	BEARING-COUNTER SHAFT FRONT	1	1	2L WARNER	Y
	21	32224-20100	RING-BEARING COUNTER SHAFT	1	10	2L WARNER	
	22	32215-20100	SHIM-BEARING COUNTER	1	10	2L WARNER	
	23	32218-20101	SHIM-BEARING COUNTER	1	10	2L WARNER	
	24	32218-20102	SHIM-BEARING COUNTER	1	10	2L WARNER	
	25	32218-20103	SHIM-BEARING COUNTER	1	10	2L WARNER	
	26	32218-20104	SHIM-BEARING COUNTER	1	10	2L WARNER	
	27	32218-20105	SHIM-BEARING COUNTER	1	10	2L WARNER	
	28	32218-20106	SHIM-BEARING COUNTER	1	10	2L WARNER	
	29	32220-25500	GEAR-REVERSE COUNTER	1	1	2L WARNER	
	30	32310-25500	GEAR-OVER DRIVE COUNTER	1	1	2L WARNER	
	31	21030-15760	BEARING-OVER DRIVE COUNTER SHAFT	1	1	2L WARNER	
	32	08915-54010	WASHER-PLAIN	1	50	2L WARNER	
	33	08915-14010	WASHER-SPRING	1	50	2L WARNER	
	34	32236-25500	BOLT-HEX, M10X1.5	1	10	2L WARNER	
	35	32200-78000	ASSY-GEAR MAIN DRIVE	1	1	2L WARNER	
	36	32200-78050	SET-GEAR DRIVE H/S	1	1	2L WARNER	Y
	37	32272-36900	BEARING-PILOT H/S	1	1	2L WARNER	
	38	32273-04100	BEARING-MAIN DRIVE	1	1	2L WARNER	
	39	32205-78000	SPACER-BEARING MAIN DRIVE	1	10	2L WARNER	
	40	32204-78000	RING-SNAP MAIN DRIVE GEAR	1	5	2L WARNER	
	41	32204-78001	RING-SNAP MAIN DRIVE GEAR	1	5	2L WARNER	

32-C- 2

Printed in Japan

REVISED: MARCH, 1972

NISSAN MOTOR CO., LTD.

FIG. 32c

S	KEY NO.	PART NO.	PART NAME	QTY	SALES UNIT	MODEL	ICA
	42	32204-78002	RING-SNAP MAIN DRIVE GEAR	1	5	2L WARNER	
	43	32204-78003	RING-SNAP MAIN DRIVE GEAR	1	5	2L WARNER	
	44	32204-78004	RING-SNAP MAIN DRIVE GEAR	1	5	2L WARNER	
	45	32207-20100	RING-BEARING MAIN DRIVE	1	10	2L WARNER	
	46	32207-20101	RING-BEARING MAIN DRIVE	1	10	2L WARNER	
	47	32207-20102	RING-BEARING MAIN DRIVE	1	10	2L WARNER	
	48	32242-A3300	ASSY-GEAR 1ST SPEED H/S	1	1	2L WARNER	
	49	32264-14600	BEARING-NEEDLE 1ST	1	1	2L WARNER	
	50	32293-14600	BUSH-1ST GEAR H/S	1	2	2L WARNER	
	51	32250-A3300	ASSY-GEAR 2ND SPEED H/S	1	1	2L WARNER	
	52	32264-14600	BEARING-NEEDLE 2ND	1	1	2L WARNER	
	53	32260-78010	ASSY-GEAR 3RD SPEED H/S	1	1	2L WARNER	
	54	32264-14600	BEARING-NEEDLE 3RD	1	1	2L WARNER	
	55	32241-25525	KIT-MAIN SHAFT	1	1	2L WARNER	
	56	32241-25500	SHAFT-MAIN	1	1	2L WARNER	Y
	57	32601-73200	HUB-SYNCHRO 1ST & 2ND	1	1	2L WARNER	
	58	32601-A8610	HUB-SYNCHRO 1ST & 2ND	1	1	2L WARNER	Y
	59	32606-73200	SLEEVE-COUPLING	1	1	2L WARNER	
	60	32606-73200	SLEEVE-COUPLING	1	1	2L WARNER	
	61	32604-14810	RING-BAULK	2	1	2L WARNER	
	62	32604-A4610	RING-BAULK	2	1	2L	Y

32-C- 3

Printed in Japan

REVISED: MARCH, 1972

FIG. 32c D8 NISSAN MOTOR CO., LTD.

S	KEY NO.	PART NO.	PART NAME	QTY	SALES UNIT	MODEL	ICA
	63	32604-P0100	RING-BAULK	2	1	2L	Y
	64	32609-73200	INSERT-SHIFTING	3	10	2L WARNER	
	65	32609-73201	INSERT-SHIFTING	3	10	2L WARNER	Y
	66	32603-73200	SPRING-SPREAD	2	10	2L WARNER	
	67	32605-78001	HUB-SYNCHRO 3RD & 4TH	1	1	2L WARNER	
	68	32604-73200	SLEEVE-COUPLING	1	1	2L WARNER	
	69	32604-14610	RING-BAULK	2	1	2L WARNER	
	70	32604-A4610	RING-BAULK	2		2L WARNER	Y
	71	32604-P0100	RING-BAULK	2	1	2L WARNER	Y
	72	32609-73200	INSERT-SHIFTING	3	10	2L WARNER	
	73	32609-73201	INSERT-SHIFTING	3	10	2L WARNER	Y
	74	32603-73200	SPRING-SPREAD	2	10	2L WARNER	
	75	32340-25500	ASSY-GEAR OVER DRIVE M/S	1	1	2L WARNER	
	76	32340-25501	ASSY-GEAR OVER DRIVE M/S	1		2L WARNER	Y
	77	32361-20100	RING-SYNCHRO	1	1	2L WARNER	
	78	32362-20100	BLOCK-THRUST	1	10	2L WARNER	
	79	32363-20100	BLOCK-ANCHOR	1	10	2L WARNER	
	80	32364-20100	BAND-BRAKE	1	9	2L WARNER	
	81	32366-20100	CIRCLIP	1	10	2L WARNER	
	82	32340-25500	BUSH-OVER DRIVE MAIN SHAFT	1	2	2L WARNER	
	83	32350-25500	BEARING-NEEDLE OVER DRIVE	1	1	2L WARNER	
	84	32245-25500	GEAR-REVERSE MAIN SHAFT	1	1	2L WARNER	
	85	32250-25500	HUB-SYNCHRO REVERSE & OVER DRIVE	1	1	2L WARNER	

32-C- 4

Printed in Japan

REVISED: MARCH, 1972

NISSAN MOTOR CO., LTD.

FIG. 32c

S	KEY NO.	PART NO.	PART NAME	QTY	SALES UNIT	MODEL	ICA
	86	32263-14601	RING-SNAP SYNCHRO HUB	1	9	2L WARNER	
	87	32263-14602	RING-SNAP SYNCHRO HUB	3	10	2L WARNER	
	88	32263-14603	RING-SNAP SYNCHRO HUB	1	10	2L WARNER	
	89	32246-78000	WASHER-THRUST M/S	1	9	2L WARNER	
	90	32247-20100	BALL-THRUST WASHER M/S	1	90	2L WARNER	
	91	32352-25501	WASHER-THRUST OVER DRIVE M/S	1	9	2L WARNER	
	92	32247-20100	BALL-THRUST WASHER M/S	1	90	2L WARNER	
	93	32353-78001	PLATE-LOCK	1	10	2L WARNER	
	94	32354-25500	NUT-HEX, M27X1.0	1	10	2L WARNER	
	95	32354-25501	NUT-HEX, M27X1.0 (FOR 32241-25520)	1	10	2L WARNER	
	96	32354-A7400	NUT-HEX, M27X1.0 (FOR 32241-25525)	1	1	2L WARNER	N
	97	32203-14360	BEARING-OVER DRIVE MAIN SHAFT	1	1	2L WARNER	
	98	32228-20100	RING-SNAP OVER DRIVE BEARING	1	10	2L WARNER	

32-C- 5

Printed in Japan

REVISED: MARCH, 1972

FIG. 33-1 D9 NISSAN MOTOR CO., LTD.

TRANSMISSION CONTROL (4 SPEED)

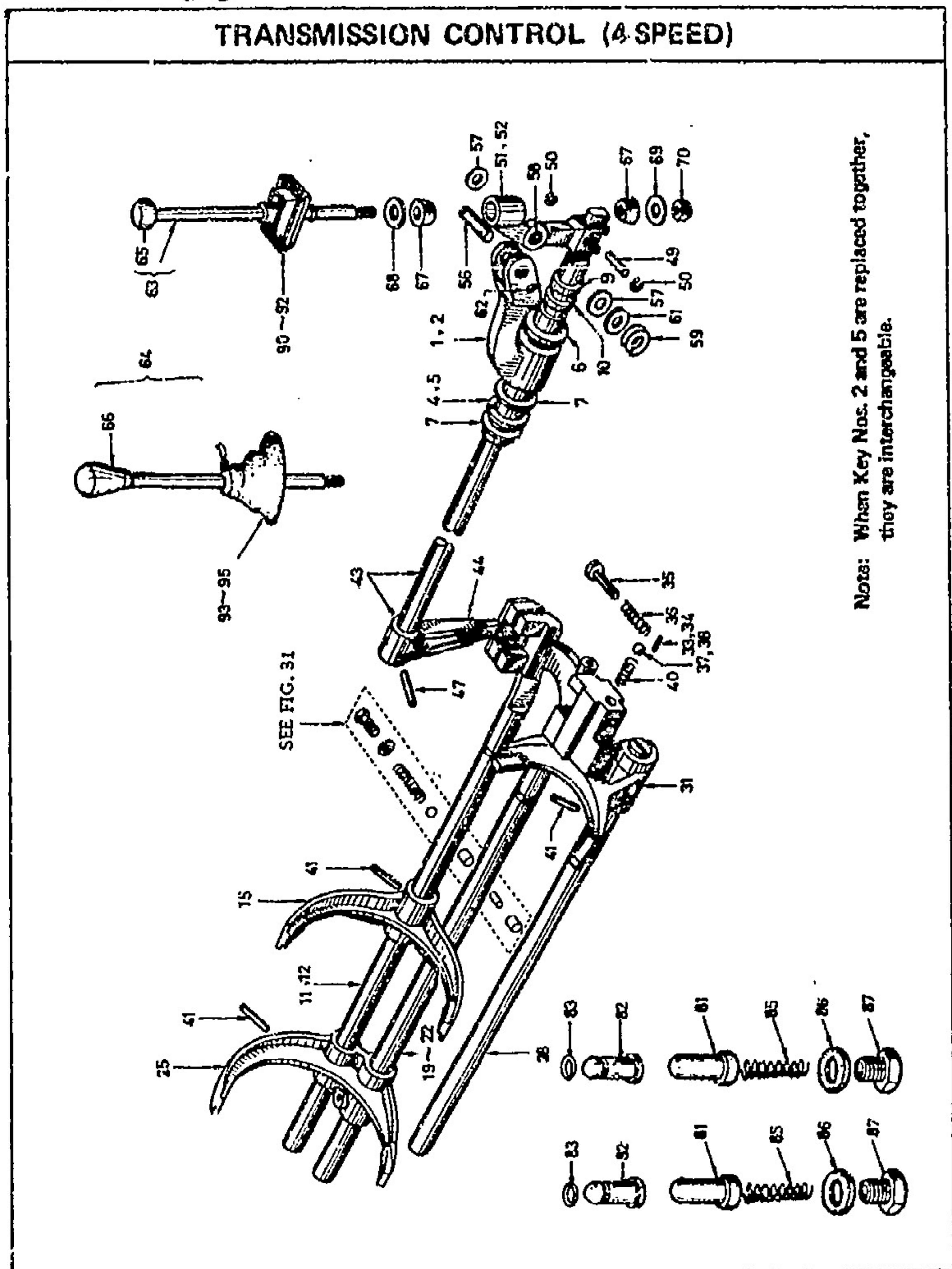


FIG. 33-2

TRANSMISSION CONTROL (5-SPEED)

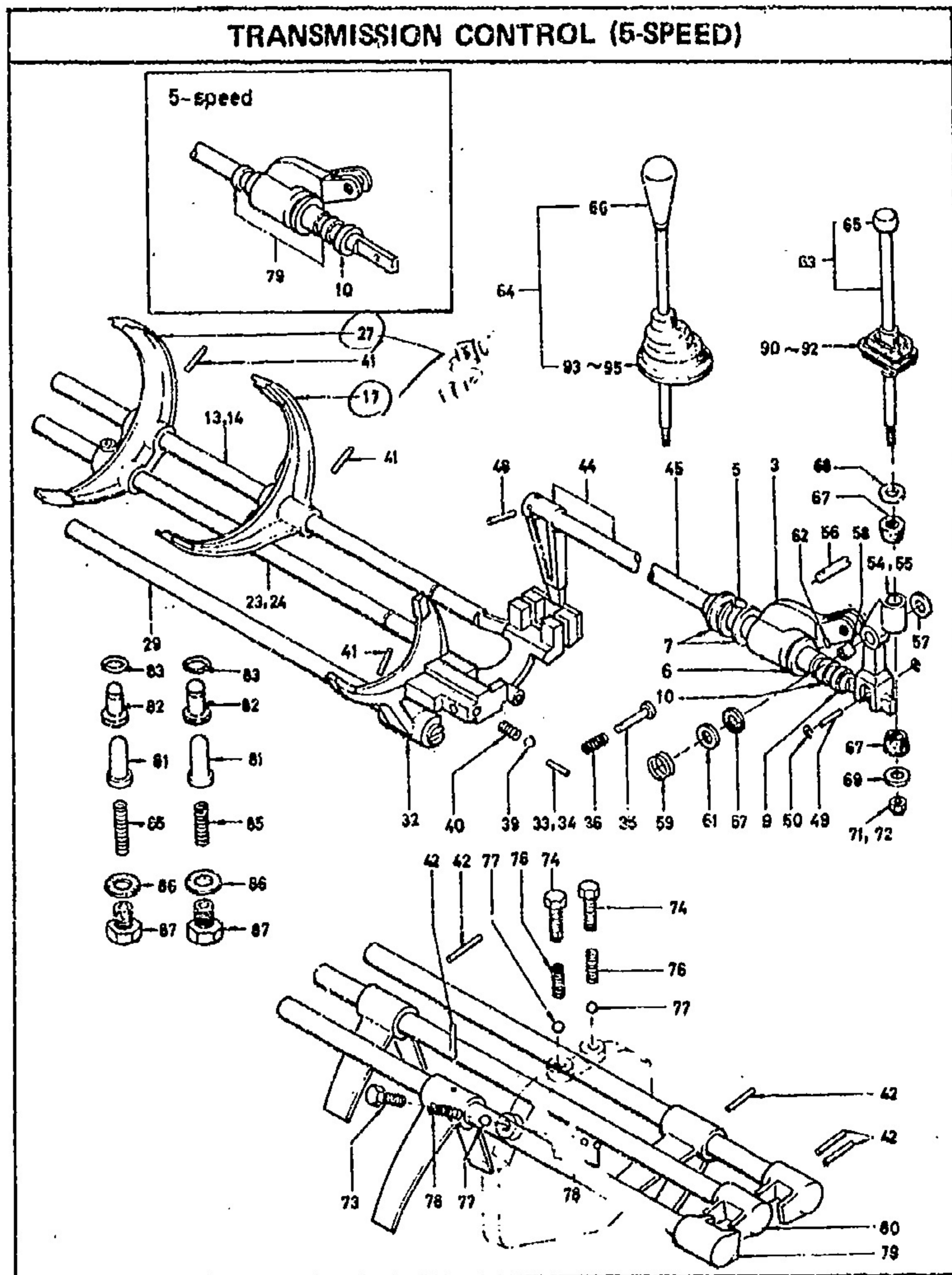


FIG. 33 D10 NISSAN MOTOR CO., LTD.

S	KEY NO.	PART NO.	PART NAME	QTY	SALES UNIT	MODEL	ICA
TRANSMISSION CONTROL							
EMISSION CONTROL signifies USA & ONTARIO in CANADA.							
1		32844-14600	ARM-CONTROL	1	1.6L		
2		32844-18800	ARM-CONTROL (FROM C/V S P311 001108 SPL311 009 431)	1	1.6L		C
3		32844-25500	ARM-CONTROL	1	2L		
4		32852-14600	SPRING-STRIKING	1	1.6L		
5		32845-18800	RING CONTROL ARM	1	ALL		N
6		32875-14600	WASHER-THRUST, CONTROL ARM	1	1.6L		
7		32876-14600	WASHER-THRUST, CONTROL ARM	2	1.6L		
8		32867-18800	BUSH STRIKING ROD	1	2 ALL		
9		32857-14600	CAP-RING, ROD	1	10 ALL		
10		32856-14600	RING-ROD, STRIKING ROD	1	10 ALL		
11		32801-14600	COMP., ROD, FORK, 1ST & 2ND	1	1.6L SERVO		
12		32801-16511	COMP., ROD, FORK, 1ST & 2ND	1	1.6L WARNER		
13		32801-25500	COMP., ROD, FORK, 1ST & 2ND	1	2L SERVO		
14		32801-A0100	COMP., ROD, FORK, 1ST & 2ND	1	2L WARNER		
15		32805-14600	FORK-SHIFT, 1ST & 2ND	1	1.6L		
16		32811-20101	FORK-SHIFT, 1ST & 2ND	1	2L		
17		32811-78000	FORK-SHIFT, 1ST & 2ND	1	2L		Y
18		32809-14600	ROD-FORK, 3RD & 4TH	1	1.6L		

NISSAN MOTOR CO., LTD.

FIG. 33

S	KEY NO.	PART NO.	PART NAME	QTY	SALES UNIT	MODEL	ICA
19		32809-22000	ROD-FORK, 3RD & 4TH	1	1.6L SERVO		Y
20		32809-21100	ROD-FORK, 3RD & 4TH	1	1.6L WARNER		
21		32809-A7702	FORK ROD 3RD & 4TH	1	1.6L SERVO		
22		32809-A7700	FORK ROD 3RD & 4TH	1	1.6L WARNER		
23		32809-25500	ROD-FORK, 3RD & 4TH	1	2L SERVO		
24		32809-A0100	ROD-FORK, 3RD & 4TH	1	2L WARNER		
25		32811-14600	FORK-SHIFT, 3RD & 4TH	1	1.6L		
26		32811-20101	FORK-SHIFT, 3RD & 4TH	1	2L		
27		32811-78000	FORK-SHIFT, 3RD & 4TH	1	2L		Y
28		32816-14600	ROD-FORK, REVERSE	1	2.6L		
29		32816-25500	ROD-FORK, REVERSE & OVER DRIVE	1	2L		
30		32819-14600	FORK-SHIFT, REVERSE	1	1.6L		
31		32819-14650	FORK-SHIFT, REVERSE	1	1.6L		Y
32		32819-20100	FORK-SHIFT, REVERSE & OVER DRIVE	1	2L		
33		32712-61000	PIN-ROLLER, RETAINING SPEEDOMETER SLEEVE	1	10 ALL		
34		32873-14600	PIN-ROLLER, RETAINING SPEEDOMETER SLEEVE	1	10 ALL		Y
35		32823-14600	PIN-REVERSE FORK	1	10 ALL		
36		32824-09600	SPRING-RETURN, REVERSE PIN	1	5 ALL		

FIG. 33 D11 NISSAN MOTOR CO., LTD.

S	KEY NO.	PART NO.	PART NAME	QTY	SALES UNIT	MODEL	ICA
•	37	32827-26760	BALL-CHECK, REVERSE FOR K	1	50	1.6L	
	3R	32720-36900	BALL-CHECK, REVERSE FOR K	1	20	1.6L	Y
	39	32829-26760	BALL-CHECK, REVERSE FOR K	1	50	2L	
	40	32825-14600	SPRING-CHECK, REVERSE FOR ORK	1	10	ALL	
	41	32292-14600	PIN-RETAINING	3	10	1.6L	
	42	32292-36900	PIN-RETAINING	3	10	2L	
	43	32890-14600	ASSY-ROD, STRIKING	1	1	1.6L	
	44	32890-25300	ASSY-ROD STRIKING W/LEVER	1	1	2L	Y
•	45	32892-25300	ROD-STRIKING	1	1	2L	
•	46	32896-25300	LEVER-STRIKING ROD	1	1	2L	
	47	32292-14600	PIN-RETAINING	1	10	1.6L	
	48	32292-36900	PIN-RETAINING	1	10	2L	
	49	32877-14600	PIN-STRIKING ROD	1	10	ALL	
	50	32878-14600	RING-C*-STRIKING PIN	2	10	ALL	
•	51	32843-14650	BRACKET-LEVER, CONTROL	1	1	1.6L	
	52	32843-A7150	BRACKET-LEVER, CONTROL	1	1	1.6L	Y
•	53	32843-15800	BRACKET-LEVER, CONTROL	1	1	2L	
•	54	32843-15850	BRACKET-LEVER, CONTROL	1	1	2L	Y
	55	32843-E4150	BRACKET-LEVER, CONTROL	1	1	2L	Y
	56	32849-14600	PIN-CONTROL ARM	1	1	ALL	
	57	32888-14600	WASHER-CONTROL PIN	2	10	ALL	
	58	32889-14600	BUSH-CONTROL PIN	1	10	ALL	
	59	32851-14600	SPRING-CONTROL	1	10	ALL	

NISSAN MOTOR CO., LTD.

FIG. 33

S	KEY NO.	PART NO.	PART NAME	QTY	SALES UNIT	MODEL	ICA
•	60	32879-14600	WASHER-THRUST, CONTROL PIN	1	10	ALL	
	61	08915-44010	WASHER-THRUST, CONTROL PIN	1	50	ALL	Y
	62	32873-14600	PIN-RETAINING	1	10	ALL	
	63	32841-14652	ASSY-LEVER, CONTROL (TO E/N R-40000)	1	1	1.6L	
	64	32841-25300	ASSY-LEVER, CONTROL (FROM E/N R-40001)	1	1	ALL	
	65	32865-14600	KNOB-CONTROL, LEVER (TO E/N R-48000)	1	2	1.6L	
	66	32865-25300	KNOB-CONTROL LEVER (FROM E/N R-40001)	1	1	ALL	Y
	67	32893-14600	RUBBER-CONTROL LEVER	2	10	ALL	
	68	32885-14600	WASHER-CONTROL LEVER, UPPER	1	10	ALL	
	69	32886-14600	WASHER-CONTROL LEVER, LOWER	1	10	ALL	
	70	00912-54610	NUT-SELF LOCKING	1	50	1.6L	
	71	08915-54000	NUT-SELF LOCKING	1	25	2L	
	72	08915-54010	NUT SELF LOCKING	1	50	2L	Y
	73	32835-78000	PLUG-CHECK BALL 11H/M	1	10	2L	
	74	32834-78000	PLUG-CHECK BALL 17.5H/M	2	10	2L	
	75	32803-78001	RING-SNAP E TYPE	2	50	2L	
	76	32830-20100	SPRING-CHECK BALL	3	10	2L	
	77	32829-26760	BALL-CHECK	3	50	2L	
	78	32720-36900	BALL-ENTER LOCK	4	20	2L	
	79	32382-20100	BRACKET-REVERSE & OVER DRIVE ROD	1	1	2L	
	80	32813-20100	BRACKET-3RD & 4TH ROD	1	1	2L	

FIG. 33 D12 NISSAN MOTOR CO., LTD.

S	KEY NO.	PART NO.	PART NAME	QTY	SALES UNIT	MODEL	ICA
•	81	32861-20100	PIN-SELECT	2	9	2L	
	82	32861-A0100	PIN-SELECT	2	1	2L	C
	83	32864-A0100	O-RING, SELECT PIN	2	20	2L	C
•	84	32845-25500	SPRING-SELECT, 1ST & 2ND	1	9	2L	
	85	32845-A0100	SPRING-SELECT, 1ST & 2ND	1	10	2L	Y
	86	32863-20100	GASKET-SELECT SPRING P LUG	2	10	2L	
	87	32862-25500	PLUG-SELECT SPRING	2	10	2L	
•	88	32846-25500	SPRING-SELECT, OVER DRIVE & REVERSE	1	10	2L	
	89	32846-A0100	SPRING-SELECT, OVER DRIVE & REVERSE	1	10	2L	Y
	90	32869-14602	SHIELD-DUST, CHANGE LEVER	1	1	1.6L	
	91	32869-25500	SHIELD-DUST CHANGE LEVER (FROM L/J R-40001 TO SEP-67)	1	9	ALL	Y
	92	32869-25902	SHIELD-DUST CHANGE LEVER (FROM OCT-67)	1	9	ALL	N
	93	75150-25500	BOOT-RUBBER (FROM C/PS PL321-12747, SRL321-34 TO SEP-67)	1	1	ALL	N
	94	75151-25900	BOOT-RUBBER (FROM OCT-67)	1	1	1.6L	N
	95	75151-25901	BOOT-RUBBER (FROM OCT-67)	1	1	2L	N
	96	68645-25900	RETAINER-BODY (FROM OCT-67)	1	9	1.6L	
	97	68645-25901	RETAINER-BODY (FROM OCT-67)	1	9	2L	

REVISED: MARCH, 1972

Install the best!
GENUINE DATSUN PARTS



Engineering Department Parts Division



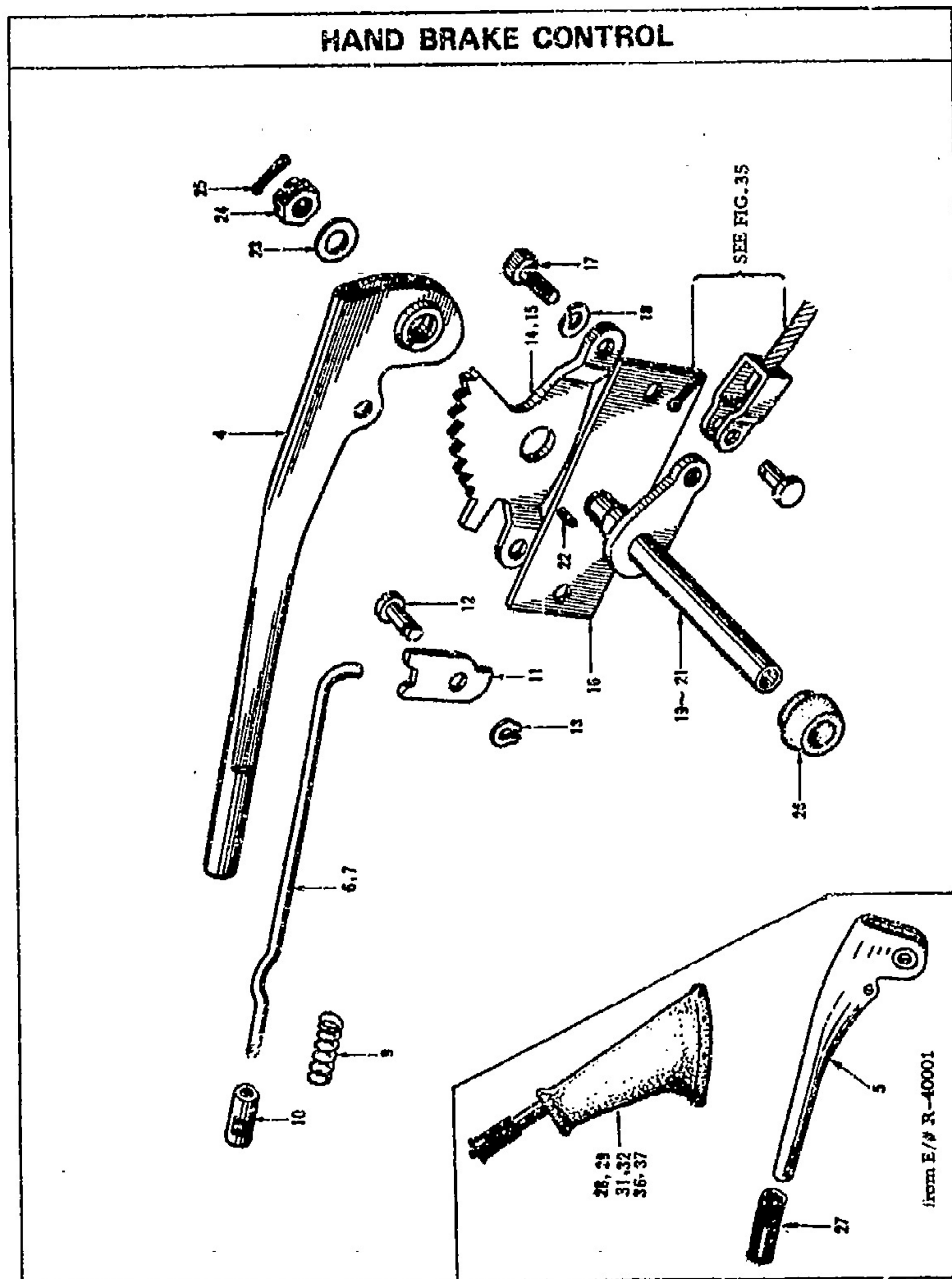
NISSAN MOTOR CO., LTD.



Tokyo, Japan

E1

BRAKE & AXLE

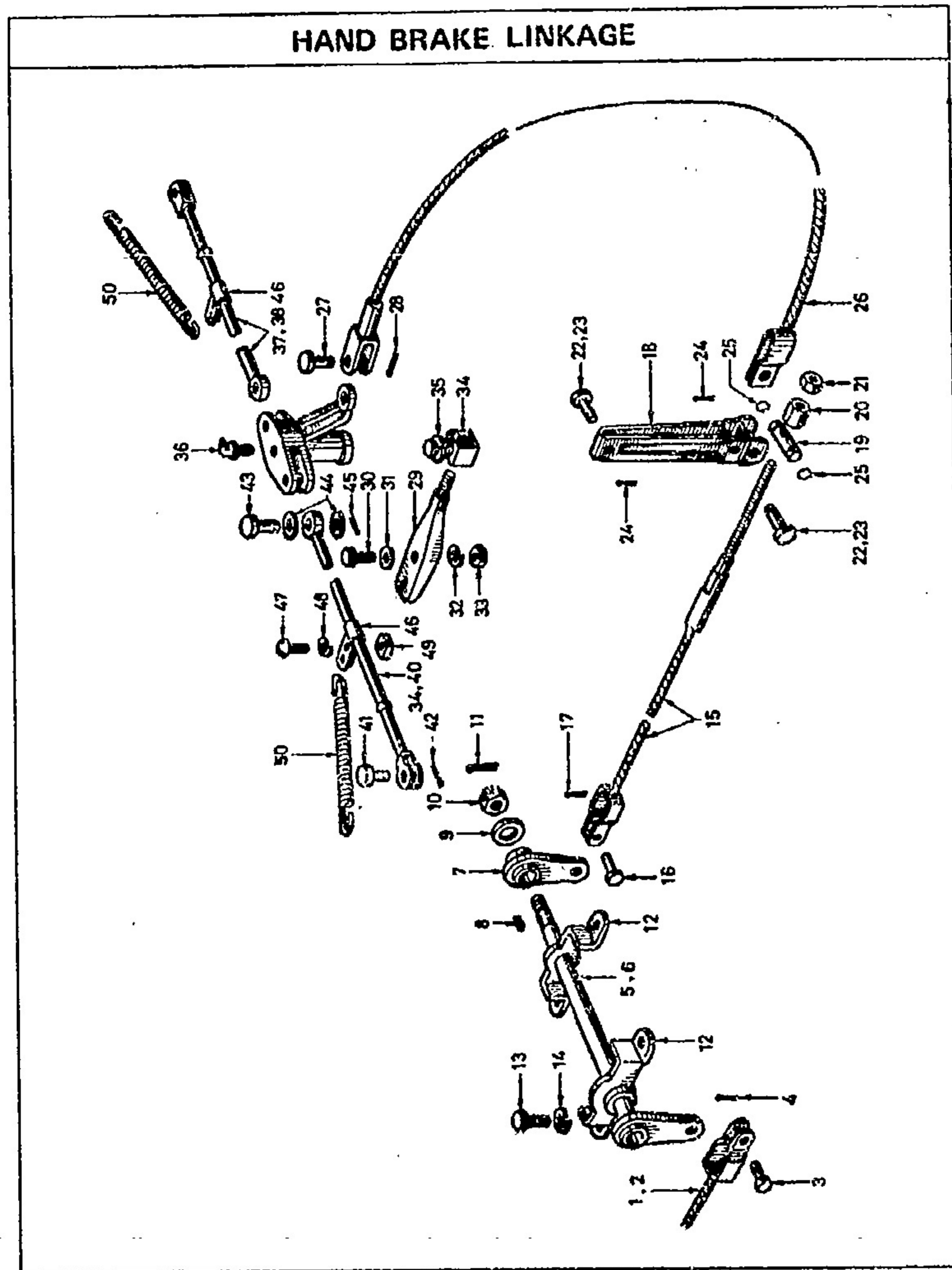


KEY NO.	PART NO.	PART NAME	QTY	SALES UNIT	MODEL	ICA
HAND BRAKE CONTROL						
1	36010-16901	ASSY-CONTROL, HAND BRAKE	1	1	1.6L	
2	36010-25300	ASSY-CONTROL, H/B (FROM E/S R-40001 TO S EP-67)	1	1	ALL	N
3	36010-25900	ASSY-CONTROL H/B (FROM DC (=67)	1	1	ALL	N
4	36310-10401	ASSY-LEVER, HAND BRAKE	1	1	1.6L	
5	36310-25500	ASSY-LEVER, HAND BRAKE (FROM E/S R-40001)	1	1	ALL	N
6	36327-10401	ROD-RELEASE, HAND BRAKE	1	5	1.6L	
7	36327-25900	ROD-RELEASE, HAND BRAKE (FROM E/S R-40001)	1	1	ALL	N
8	36330-10400	SPRING-RELEASE ROD	1	10	ALL	
9	36330-25900	SPRING-RELEASE ROD	1	10	ALL	Y
10	36329-04100	BUTTON-RELEASE, HAND BRAKE	1	5	ALL	
11	36332-04100	PAWL-RATCHET	1	5	ALL	
12	26339-04100	PIN-PAWL	1	10	ALL	
13	41058-10340	WASHER-DC TYPE	1	50	ALL	
14	36320-10401	PLATE-RATCHET	1	1	1.6L	
15	36320-25500	PLATE-RATCHET (FROM E/S R-40001)	1	1	ALL	N
16	36343-10400	PLATE-SEAL, LEVER SHAFT	1	1	ALL	
17	90114-51610	BOLT TO FIX HAND LEVER	2	50	ALL	
18	90915-11910	WASHER-LOCK TO FIX HAND LEVER	2	50	ALL	

FIG. 34 E3 NISSAN MOTOR CO., LTD.

S	KEY NO.	PART NO.	PART NAME	QTY	SALES UNIT	MODEL	ICA
	19	36433-10400	ASSY-SHAFT,HAND BRAKE LEVER	1	1	S.6L	
	20	36433-25300	SHAFT-H/B LEVER (FROM E/S R-40001 TO SEP-67)	1	1	ALL	H
	21	36433-25900	SHAFT-H/B LEVER (FROM OCT-67)	1	1	ALL	H
	22	00928-31600	KEY-FEATHER	1	50	ALL	
	23	00925-41610	WASHER-PLAIN	1	50	ALL	
	24	00921-94610	NUY	1	50	ALL	
	25	00921-22210	PIN-DOTTER	1	50	ALL	
	26	36463-10400	COVER-DUST,LEVER SHAFT	1	5	ALL	
	27	36315-25900	GRIP-HAND BRAKE LEVER (FROM E/S R-40001)	1	2	ALL	
	28	74980-12900	ASSY-COVER,HAND BRAKE LEVER(RED)	1	1	L.6L	
	29	74980-25300	ASSY-COVER,HAND BRAKE LEVER(RED)(FROM E/S R-40001)	1	1	ALL	H
	30	74980-25900	COVER-H/B LEVER(RED) (FROM OCT-67)	1	1	ALL	
	31	74980-12901	ASSY-COVER,HAND BRAK LEVER(BLACK)	1	1	L.6L	
	32	74980-25301	ASSY-COVER,HAND BRAKE LEVER(BLACK)(FROM E/S R-40001)	1	1	ALL	H
	33	74980-25901	COVER-H/B LEVER(BLACK) (FROM OCT-67)	1	1	ALL	
	34	61224-35210	FASENER-MALE	4	20	ALL	
	35	00530-61310	SCREW	4	20	ALL	

FIG. 35 E4, NISSAN MOTOR CO., LTD.



NISSAN MOTOR CO., LTD.

FIG. 35

S	KEY NO.	PART NO.	PART NAME	QTY	SALES UNIT	MODEL	ICA
			HAND BRAKE LINKAGE				
	1	36402-10400	ASSY-CABLE, HAND BRAKE, FRONT	1	1	1.6L	
	2	36402-25500	ASSY-CABLE, HAND BRAKE, FRONT (FROM E/R R-40001)	1	1	ALL	N
	3	36420-04100	PIN-CLEVIS	2	10	ALL	
	4	00921-11010	PIN-COTTER	2	50	ALL	
	5	36550-10401	ASSY-SHAFT, IDLER, HAND BRAKE	1	1	1.6L	
	6	36550-25500	ASSY-SHAFT, IDLER, HAND BRAKE (FROM E/R R-40001)	1	1	ALL	N
	7	36555-10400	ASSY-BOSS, IDLER, HAND BRAKE	1	1	ALL	
	8	00920-31600	KEY	1	50	ALL	
	9	00915-41610	WASHER-PLAIN	1	50	ALL	
	10	00921-74610	NUT	1	50	ALL	
	11	00921-22200	PIN-COTTER	1		ALL	
	12	36305-10400	SHACKET-IDLER SHAFT, HAND BRAKE	2	1	ALL	
	13	00124-51610	BOLT	4	25	ALL	
	14	00915-11500	WASHER-LOCK	4		ALL	
	15	36450-12900	ASSY-CABLE, HAND BRAKE MIDDLE	1	1	ALL	
	16	36420-04100	PIN-CLEVIS	1	10	ALL	
	17	00921-11010	PIN-COTTER	1	50	ALL	
	18	36510-04100	ASSY-ARM, SWING, HAND BRAKE	1	1	ALL	

FIG. 35 E5 NISSAN MOTOR CO., LTD.

S	KEY NO.	PART NO.	PART NAME	QTY	SALES UNIT	MODEL	ICA
	19	36423-04100	PIN-SWING ARM	2	10	ALL	
	20	36437-04100	NUT-CABLE, HAND BRAKE	1	50	ALL	
	21	00911-34410	NUT-LOCK	1	50	ALL	
•	22	36541-30000	PIN-CLEVIS	2		ALL	
	23	36541-24900	PIN-CLEVIS	2	10	ALL	Y
	24	00921-01010	PIN-COTTER	2	50	ALL	
	25	36471-04100	RING-SNAP, HAND BRAKE	2	50	ALL	
	26	36451-14600	ASSY-CABLE, HAND BRAKE, REAR	1	5	ALL	
•	27	36541-30000	PIN-CLEVIS	1		ALL	
	28	00921-01010	PIN-COTTER	1	50	ALL	
	29	36511-15000	ASSY-SUPPORT, BRAKE BALANCE LEVER	1	1	ALL	
	30	00124-52010	BOLT	2	50	ALL	
	31	00915-21510	WASHER-PLAIN	2	50	ALL	
•	32	00915-21500	WASHER-LOCK	2		ALL	
	33	00911-14510	NUT	2	50		
	34	36514-14600	CARRIER-BALANCE LEVER	1	5	ALL	
	35	36523-30000	RING-FELT, BALANCE LEVER	1	10	ALL	
	36	00932-30200	NIPPLE-GREASE	1	50	ALL	
	37	36950-14600	ROD-CROSS, HAND BRAKE, SHORT	1	1.6L		
	38	36970-14601	ROD-CROSS, HAND BRAKE, SHORT (FROM E/P R-40001)	1	1	ALL	N
	39	36531-14600	ROD-CROSS, HAND BRAKE, LONG	1	1.6L		
	40	36531-14601	ROD-CROSS, HAND BRAKE, LONG (FROM E/P R-40001)	1	1	ALL	N

35 - 2

Printed in Japan

REVISED: DECEMBER, 1970

NISSAN MOTOR CO., LTD.

FIG. 35

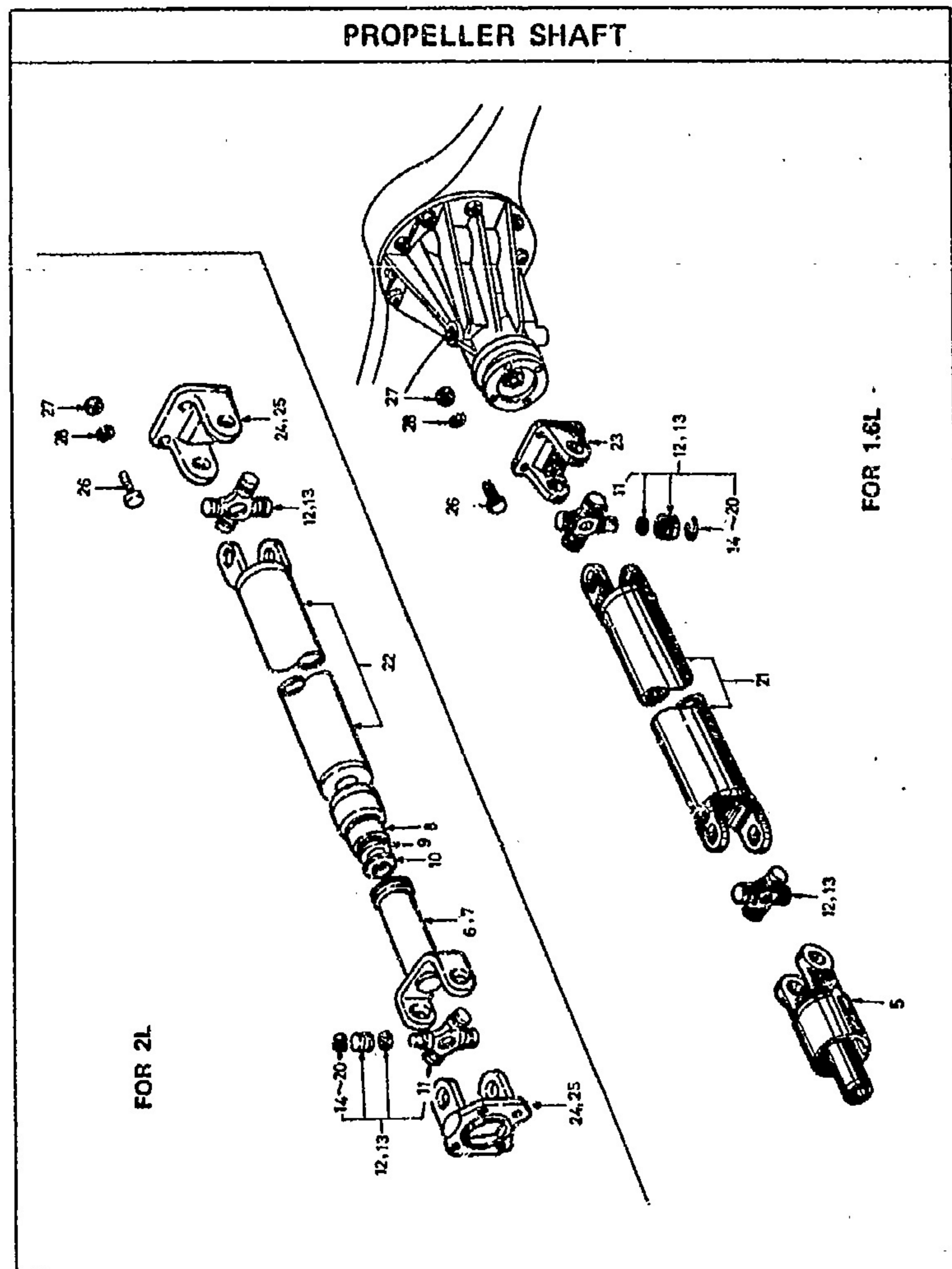
S	KEY NO.	PART NO.	PART NAME	QTY	SALES UNIT	MODEL	ICA
•	41	36541-30000	PIN-CLEVIS	2		ALL	
	42	00921-01010	PIN-COTTER	2	50	ALL	
	43	36538-30000	PIN-CLEVIS	2	10	ALL	
	44	36543-30000	RING-FELT	4	10	ALL	
	45	00921-01010	PIN-COTTER	2	50	ALL	
	46	36544-30000	BRACKET-HANGER, CROSS ROD PULL OFF SPRING	1	10	ALL	
	47	00314-01010	SCREW	2	50	ALL	
•	48	00915-11000	WASHER-LOCK	2		ALL	
	49	00913-14010	NUT-SQUARE	2	50	ALL	
	50	36549-30000	SPRING-PULL OFF, CROSS ROD	2	10	ALL	

35 - 3

Printed in Japan

REVISED: DECEMBER, 1970

FIG. 36 E6 NISSAN MOTOR CO., LTD.



MARCH, 1970

F36 - 1

Printed in Japan

NISSAN MOTOR CO., LTD.

FIG. 36

S	KEY NO.	PART NO.	PART NAME	QTY	SALES UNIT	MODEL	ICA
			PROPELLER SHAFT				
	1	37000-14600	ASSY-SHAFT, PROPELLER, WITH JOINT	1	1	1.6L EXC USA	
	2	37000-14601	ASSY-SHAFT, PROPELLER, WITH JOINT	1	1	1.6L USA	
	3	37000-20100	ASSY-SHAFT, PROPELLER, WITH JOINT	1	1	2L EXC USA	
	4	37000-20101	ASSY-SHAFT, PROPELLER, WITH JOINT	1	1	2L USA	
	5	37111-14600	ASSY-YOKE, SLEEVE	1	1	1.6L	
	6	37111-20100	ASSY-YOKE, SLEEVE	1		2L	
	7	37111-20101	ASSY-YOKE, SLEEVE	1	1	2L	Y
	8	37223-20100	RETAINER OIL SEAL	1		2L	
	9	37220-20100	OIL SEAL STUD SHAFT	1		2L	
	10	37224-20100	WASHER RETAINER OIL SEAL	1		2L	
	11	37125-14600	JOURNAL	2	1	ALL	
	12	37125-14625	KIT-JOURNAL	2	10	ALL	Y
	13	37125-14627	KIT-JOURNAL	2	10	ALL	Y
	14	37146-14600	RING-SNAP, ADJUSTING (2, 00T) (WHITE)	8	50	ALL	
	15	37147-14600	RING-SNAP, ADJUSTING (2, 00T) (YELLOW)	8	50	ALL	
	16	37148-14600	RING-SNAP, ADJUSTING (2, 04T) (RED)	8	50	ALL	
	17	37149-14600	RING-SNAP, ADJUSTING (2, 06T) (GREEN)	8	50	ALL	
	18	37150-14600	RING-SNAP, ADJUSTING (2, 08T) (BLUE)	8	10	ALL	

REVISED: JUNE, 1971

36- 1

Printed in Japan

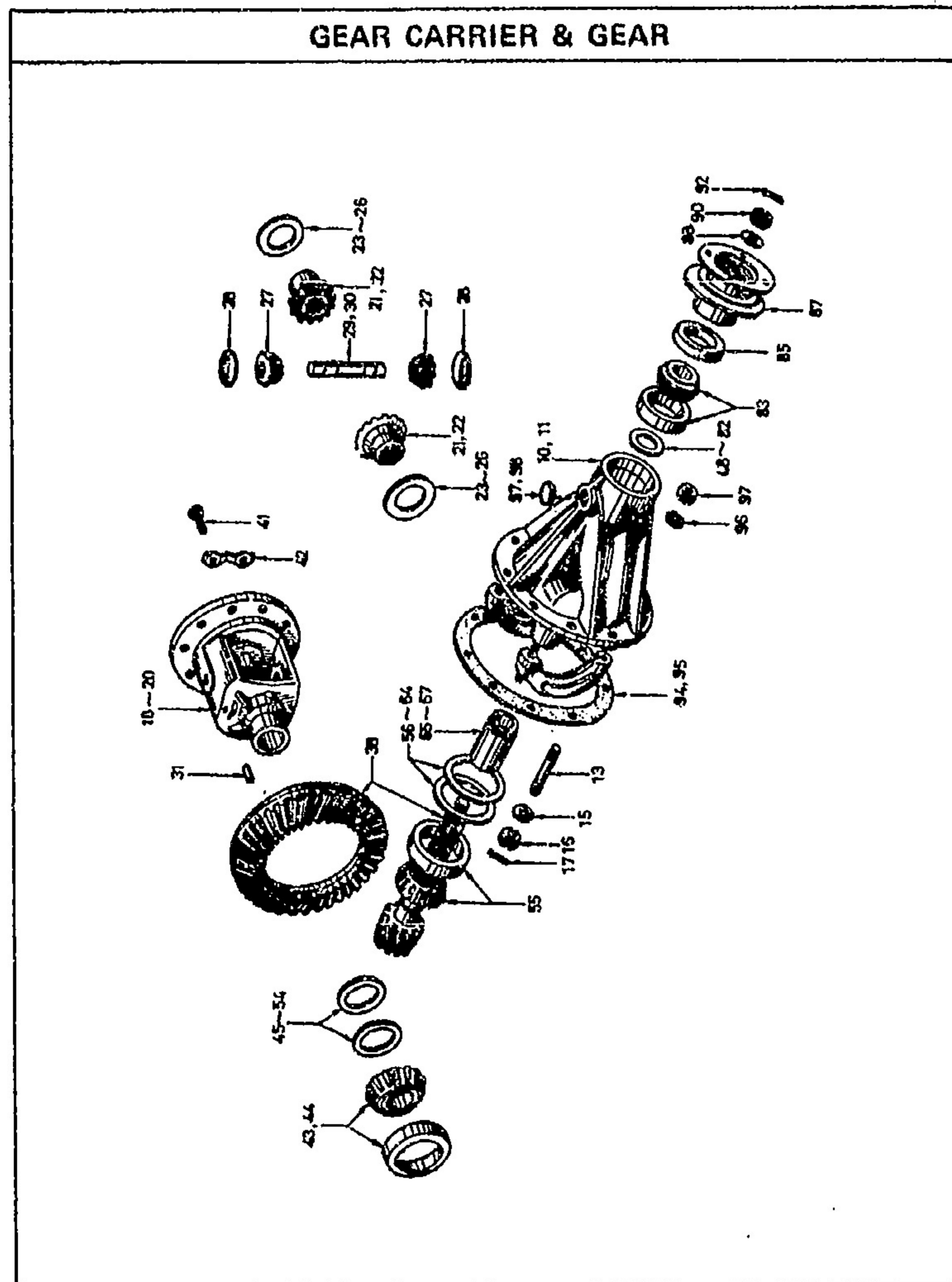
FIG. 36 E7 NISSAN MOTOR CO., LTD.

S	KEY NO.	PART NO.	PART NAME	QTY	SALES UNIT	MODEL	ICA
	19	37151-14600	RING=SNAP, ADJUSTING (2,10T) (GROUN)	8	13	ALL	
	20	37152-14600	RING=SNAP, ADJUSTING (2,12T) (NO MARK)	8	10	ALL	
•	21	37210-14600	ASSY=SHAFT PROPELLER (NOT FOR SALE)	1	1	1,6L	
•	22	37210-20100	ASSY=SHAFT PROPELLER (NOT FOR SALE)	1	1	2L	
•	23	37117-14600	YOKE=FLANGE	1	1	1,6L	
	24	37117-14601	YOKE=FLANGE	2	1	2L	
	25	37226-20400	COVER DUST	1		2L	
	26	00124-52510	BOLT TO FIX PROPELLER SHAFT TO COMPANION FLA NGE	4	50	ALL	
	27	00911-24510	NUT TO FIX PROPELLER S HAFT TO COMPANION FLAN GE	4	50	ALL	
	28	00911-21910	WASHER=LOCK TO FIX PRO PELLER SHAFT TO COMPAN ION FLANGE	4	50	ALL	

REVISED: JUNE, 1971

36 - 2

Printed in Japan



KEY NO.	PART NO.	PART NAME	QTY	SALES UNIT	MODEL	ICA
GEAR CARRIER & GEAR						
1	38300-14600	ASSY-CARRIER WITH GEAR (35/9)	1	1	1.6L	
2	38300-A5300	ASSY-CARRIER WITH GEAR (35/9)	1	1	1.6L	Y
3	38300-A5302	ASSY-CARRIER WITH GEAR (35/9)	1	1	1.6L	Y
4	38300-14610	ASSY-CARRIER WITH GEAR (35/9)NON-SLIP DIFFERENTIAL	1	1	OP, 1.6L	
5	38300-14625	ASSY-CARRIER WITH GEAR (35/9)NON-SLIP DIFFERENTIAL	1	1	OP 1.6L	Y
6	38300-25500	ASSY-CARRIER WITH GEAR (37/10)	1	1	2L	
7	38300-A5000	ASSY-CARRIER WITH GEAR (37/10)	1	1	2L	Y
8	38300-A5002	ASSY-CARRIER WITH GEAR (37/10)	1	1	2L	Y
9	38300-25510	ASSY-CARRIER WITH GEAR (37/10),NON-SLIP DIFFERENTIAL	1	1	OP 2L	
10	38310-14600	ASSY-CARRIER, GEAR	1	1	ALL	
11	38310-A3000	ASSY-CARRIER, GEAR	1	1	ALL	Y
12	38315-01302	STUD-DIFFERENTIAL BEARING CAP	4		ALL	
13	38315-13200	STUD-DIFFERENTIAL BEARING CAP	4	10	ALL	Y
14	00915-41600	WASHER-PLAIN	4		ALL	
15	00915-41610	WASHER-PLAIN	4	50	ALL	Y
16	00912-04600	NUT	4	10	ALL	

FIG. 37 E9 NISSAN MOTOR CO., LTD.

S	KEY NO.	PART NO.	PART NAME	QTY	SALES UNIT	MODEL	ICA
	17	00921-21810	PIN-COTTER	1	50	ALL	
	18	38421-07200	CASE-DIFFERENTIAL GEAR	1	1	ALL	
	19	38421-16300	CASE-DIFFERENTIAL GEAR RH NON-SLIP DIFFERENTIAL	1		OP, ALL	
	20	38422-16300	CASE-DIFFERENTIAL GEAR LH NON-SLIP DIFFERENTIAL	1		OP, ALL	
	21	38423-14600	GEAR-SIDE	2	1	ALL	
	22	38423-16300	GEAR-SIDE FOR NON-SLIP DIFFERENTIAL	2	5	OP, ALL	
	23	38424-25660	WASHER-THRUST, SIDE GEAR (T=0,76-0,81)	2	10	ALL	
	24	38424-32200	WASHER-THRUST, SIDE GEAR (T=0,81-0,86)	2	5	ALL	
	25	38424-32201	WASHER-THRUST, SIDE GEAR (T=0,86-0,91)	2	5	ALL	
	26	38424-32202	WASHER-THRUST, SIDE GEAR (T=1,01-1,06)	2	5	ALL	
	27	38425-00100	GEAR-PINION MATE	2	1	ALL	
	28	38426-32200	WASHER-THRUST, PINION MATE	2	10	ALL	
	29	38427-25660	SHAFT-PINION MATE	1	5	ALL	
	30	38427-16300	SHAFT-PINION MATE FOR NON-SLIP DIFFERENTIAL	1	1	OP, ALL	
	31	38428-25660	PIN-PINION MATE	1	50	ALL	
	32	38431-16300	RING-PRESSURE DIFFERENTIAL SEVEL FOR NON-SLIP DIFFERENTIAL GEAR	2	1	OP, ALL	
	33	38432-16300	PLATE-FRICTION GEAR SIDE FOR NON-SLIP DIFFERENTIAL GEAR	4	5	OP, ALL	
	34	38433-16300	DISK-FRICTION FOR NON-SLIP DIFFERENTIAL GEAR	4	5	OP, ALL	

NISSAN MOTOR CO., LTD.

FIG. 37

S	KEY NO.	PART NO.	PART NAME	QTY	SALES UNIT	MODEL	ICA
	35	38433-16301	DISK-FRICTION FOR NON-SLIP DIFFERENTIAL GEAR	4	5	OP, ALL	
	36	38434-16300	SCREW-COUPLE FOR NON-SLIP DIFFERENTIAL GEAR	2	5	OP, ALL	
	37	38100-61000	SET-GEAR, HYPOID DRIVE (35/9)	1	1	2.6L	
	38	38100-25600	SET-GEAR, HYPOID DRIVE (35/9)	1	1	2.6L	Y
	39	38100-A5300	SET-GEAR, HYPOID DRIVE (35/9)	1	1	2.6L	Y
	40	38100-77700	SET-GEAR, HYPOID DRIVE (37/10)	1	1	2L	
	41	38102-01300	BOLT-DRIVE GEAR	8	10	ALL	
	42	38103-01300	STRAP-LOCK, BOLT	1	50	ALL	
	43	38440-25660	BEARING-SIDE	2	1	ALL	
	44	40210-85000	BEARING-SIDE	2	1	ALL	Y
	45	38153-27160	SHIM-ADJUSTING, DRIVE GEAR (0,75T) (INCH)	AR	10	ALL	
	46	38457-61200	SHIM-ADJUSTING, DRIVE GEAR (0,50T) (MM)	AR	10	ALL	Y
	47	38154-27160	SHIM-ADJUSTING, DRIVE GEAR (0,25T) (INCH)	AR	50	ALL	
	48	38456-61200	SHIM-ADJUSTING, DRIVE GEAR (0,25T) (MM)	AR	10	ALL	Y
	49	38155-27160	SHIM-ADJUSTING, DRIVE GEAR (0,125T) (INCH)	AR	50	ALL	
	50	38455-61200	SHIM-ADJUSTING, DRIVE GEAR (0,10T) (MM)	AR	10	ALL	Y
	51	38156-27160	SHIM-ADJUSTING, DRIVE GEAR (0,75T) (INCH)	AR	50	ALL	
	52	38454-61200	SHIM-ADJUSTING, DRIVE GEAR (0,07T) (MM)	AR	10	ALL	Y

FIG. 37 E10 NISSAN MOTOR CO., LTD.

S	KEY NO.	PART NO.	PART NAME	QTY	SALES UNIT	MODEL	ICA
	53	38161-27160	SHIM-ADJUSTING, DRIVE GEAR (0,05T) (INCH)	AR	50	ALL	
	54	38453-61200	SHIM-ADJUSTING, DRIVE GEAR (0,05T) (MM)	AR	10	ALL	Y
	55	38120-61000	BEARING-DRIVE PINION, REAR	1	1	ALL	
	56	38153-61000	SHIM-ADJUSTING, DRIVE PINION, (0,75T) (INCH)	AR	5	ALL	
	57	38157-61200	SHIM-ADJUSTING, DRIVE PINION (0,50T) (MM)	AR	10	ALL	Y
	58	38154-61000	SHIM-ADJUSTING, DRIVE PINION (0,125T) (INCH)	AR	5	ALL	
	59	38156-61200	SHIM-ADJUSTING, DRIVE PINION (0,20T) (MM)	AR	10	ALL	Y
	60	38155-61000	SHIM-ADJUSTING, DRIVE PINION (0,125T) (INCH)	AR	5	ALL	
	61	38155-61200	SHIM-ADJUSTING, DRIVE PINION (0,10T) (MM)	AR	10	ALL	Y
	62	38156-61000	SHIM-ADJUSTING, DRIVE PINION (0,075T) (INCH)	2	10	ALL	
	63	38154-61200	SHIM-ADJUSTING, DRIVE PINION (0,07T) (MM)	AR	10	ALL	Y
	64	38153-61200	SHIM-ADJUSTING, DRIVE PINION (0,05T) (MM)	AR	10	ALL	Y
	65	38165-61001	SPACER-DRIVE PINION BEARING (59,25H/H)	1	1	ALL	
	66	38166-61001	SPACER-DRIVE PINION BEARING (59,50H/H)	1	1	ALL	
	67	38167-61001	SPACER-DRIVE PINION BEARING (59,75H/H)	1	1	ALL	
	68	38125-61001	WASHER-ADJUST, DRIVE PINION BEARING	1	10	ALL	
	69	38126-61001	WASHER-ADJUST, DRIVE PINION BEARING	1	10	ALL	

NISSAN MOTOR CO., LTD.

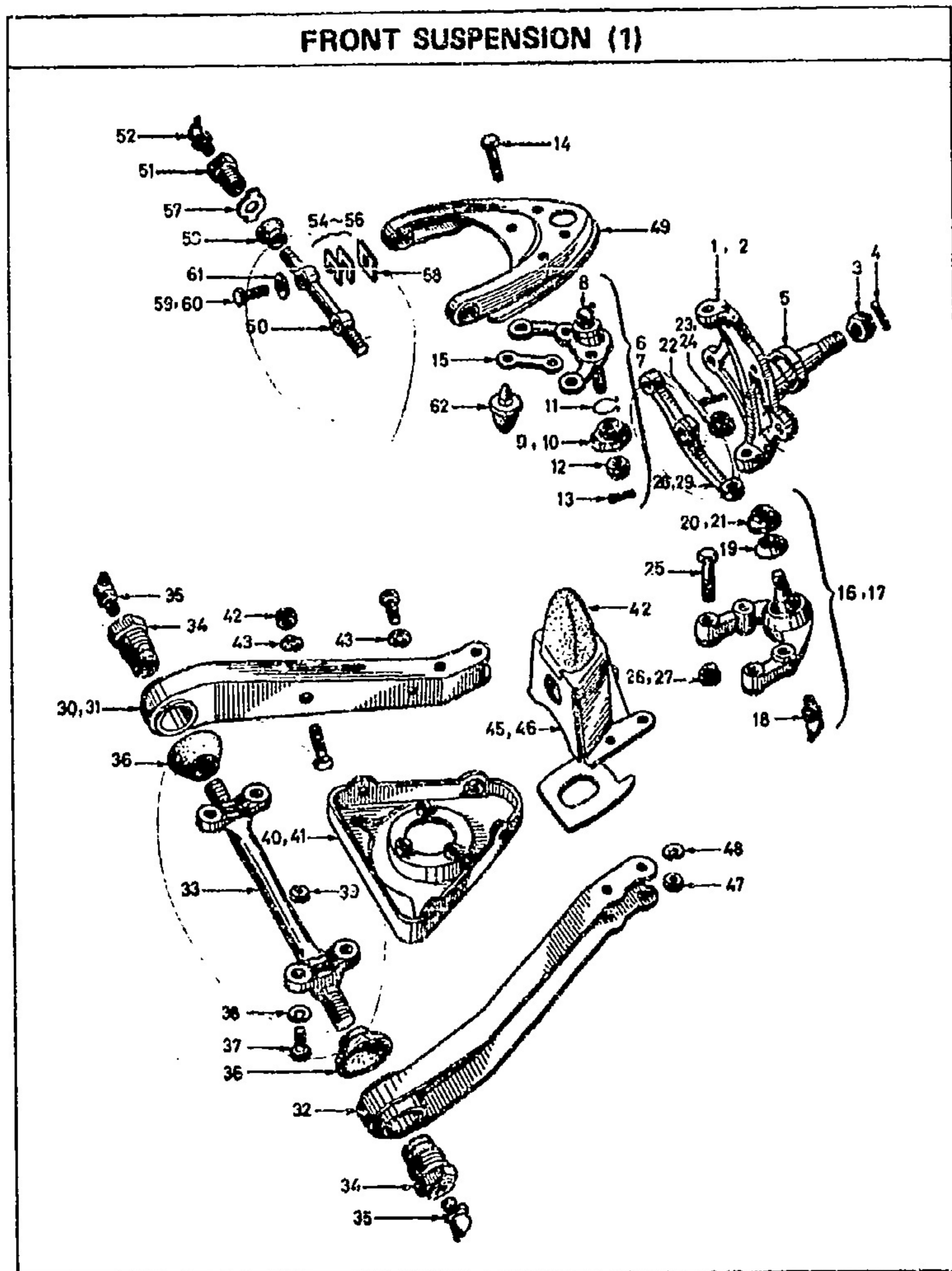
FIG. 37

S	KEY NO.	PART NO.	PART NAME	QTY	SALES UNIT	MODEL	ICA
	70	38127-61001	WASHER-ADJUST, DRIVE PINION BEARING	1	10	ALL	
	71	38128-61001	WASHER-ADJUST, DRIVE PINION BEARING	1	10	ALL	
	72	38129-61001	WASHER-ADJUST, DRIVE PINION BEARING	1	10	ALL	
	73	38130-61001	WASHER-ADJUST, DRIVE PINION BEARING	1	10	ALL	
	74	38131-61001	WASHER-ADJUST, DRIVE PINION BEARING	1	10	ALL	
	75	38132-61001	WASHER-ADJUST, DRIVE PINION BEARING	1	10	ALL	
	76	38133-61001	WASHER-ADJUST, DRIVE PINION BEARING	1	10	ALL	
	77	38134-61001	WASHER-ADJUST, DRIVE PINION BEARING	1	10	ALL	
	78	38135-61001	WASHER-ADJUST, DRIVE PINION BEARING	1	10	ALL	
	79	38136-61001	WASHER-ADJUST, DRIVE PINION BEARING	1	10	ALL	
	80	38137-61001	WASHER-ADJUST, DRIVE PINION BEARING	1	10	ALL	
	81	38138-61001	WASHER-ADJUST, DRIVE PINION BEARING	1	10	ALL	
	82	38139-61001	WASHER-ADJUST, DRIVE PINION BEARING	1	10	ALL	
	83	38140-61000	BEARING-DRIVE PINION, FRONT	1	1	ALL	
	84	38189-61000	SEAL-OIL, DRIVE PINION	1	10	ALL	
	85	38189-61001	SEAL-OIL, DRIVE PINION	1	10	ALL	Y
	86	38210-73000	ASSY-FLANGE, COMPANION	1	1	ALL	
	87	38210-73001	ASSY-FLANGE, COMPANION	1	1	ALL	Y
	88	38215-61000	WASHER-PLAIN	1	10	ALL	

FIG. 37 E11 NISSAN MOTOR CO., LTD.

S	KEY NO.	PART NO.	PART NAME	QTY	SALES UNIT	MODEL	ICA
*	89	38216-61000	NUT-DRIVE PINION	1	10	1.6L	
	90	38216-13200	NUT-DRIVE PINION(FROM E/N R-40001)	1	5	ALL	N
*	91	00921-43000	PIN-COTTER	1		ALL	
	92	00921-43010	PIN-COTTER	1	50	ALL	Y
*	93	38320-25660	GASKET-GEAR CARRIER	1	10	ALL	
*	94	38320-25670	GASKET-GEAR CARRIER	1	10	ALL	Y
	95	38320-83000	GASKET-GEAR CARRIER	1		ALL	Y
	96	00915-11510	WASHER-LOCK	8	50	ALL	
	97	00911-14510	NUT	8	50	ALL	
	98	00933-12200	PLUG-DIFFERENTIAL GEAR HOUSING	1	10	1.6L	

FIG. 38 E12 NISSAN MOTOR CO., LTD.



DECEMBER, 1968

F38 - 1

Printed in Japan

NISSAN MOTOR CO., LTD.

FIG. 38

KEY NO.	PART NO.	PART NAME	QTY	SALES UNIT	MODEL	ICA
FRONT SUSPENSION (1)						
1	40014-14650	ASSY-SPINDLE, KNUCKLE, W ITH NUT, R, H.	1	1	ALL	
2	40015-14650	ASSY-SPINDLE, KNUCKLE, W ITH NUT, L, H.	1	1	ALL	
3	40040-04100	NUT	2	50	ALL	
4	00921-44010	PIN-COTTER	2	50	ALL	
5	40020-25660	COLLAR-FRONT SPINDLE	1	5	ALL	
6	40070-04100	JOINT-BALL, FRONT SUSPE NSION UPPER (TO SEP-67)	2	1	ALL	
7	40110-25900	JOINT-BALL, FRONT SUSPE NSION UPPER (FROM OCT- 67)	2	1	ALL	N
8	00932-30200	NIPPLE-GREASE	2	50	ALL	
9	40074-10402	COVER-DUST, UPPER (TO S EP-67)	2	5	ALL	
10	40142-25900	COVER-DUST, UPPER (FROM OCT-67)	2	5	ALL	N
11	40081-04100	CLAMP-DUST COVER	2	50	ALL	
12	00911-04710	NUT	2	50	ALL	
13	00921-32500	PIN-COTTER	2		ALL	
14	00124-51610	PLY	6	50	ALL	
15	40091-08000	PLATE-LOCK	1	10	ALL	
16	40071-04200	JOINT-BALL, LOWER (TO SEP-67)	2	1	ALL	
17	40160-25900	JOINT-BALL, LOWER (FROM OCT-67)	2	1	ALL	N
18	00932-20200	NIPPLE-GREASE	2	50	ALL	

REVISED: SEPTEMBER, 1971

F38 - 1

Printed in Japan

FIG. 38 E13 NISSAN MOTOR CO., LTD.

S	KEY NO.	PART NO.	PART NAME	QTY	SALES UNIT	MODEL	ICA
	19	40087-04100	COVER-DUST, INNER	2	50	ALL	
	20	40088-04100	COVER-DUST, OUTER RUBBER (TO SEP. 67)	2	10	ALL	
	21	40192-25900	COVER-DUST, OUTER RUBBER (FROM OCT. 67)	2	5	ALL	N
	22	00921-04510	NUT	2	50	ALL	
	23	00921-33000	PIN-COTTER	2		ALL	
	24	00921-33010	PIN-COTTER	2	50	ALL	Y
	25	00124-55000	NUT	2	25	ALL	
	26	00912-44500	NUT	2		ALL	
	27	00912-44510	NUT	2	50	ALL	Y
	28	40052-04100	ARM-KNUCKLE, R.H.	1	1	ALL	
	29	40053-04100	ARM-KNUCKLE, L.H.	1	1	ALL	
	30	54529-04200	ASSY-LINK, LOWER, FRONT SUSPENSION, FRONT, R.H.	1	1	ALL	
	31	54552-04200	ASSY-LINK, LOWER, FRONT SUSPENSION, FRONT, L.H.	1	1	ALL	
	32	54530-04200	ASSY-LINK, LOWER, FRONT SUSPENSION, REAR	2	1	ALL	
	33	54419-04200	SPINDLE-LOWER LINK, FRONT SUSPENSION	2	1	ALL	
	34	54504-10600	ASSY-BUSHING, LOWER LINK, FRONT SUSPENSION	4	5	ALL	
	35	00932-20200	NIPPLE-GREASE	4	50	ALL	
	36	54539-04200	SEAL-DUST, LOWER LINK BUSH	4	50	ALL	
	37	54554-32200	PULLEY	2	100	ALL	
	37	00915-21610	WASHER-LOCK	2	50	ALL	
	38	00911-24610	NUT	2	50	ALL	

3P - 2

Printed in Japan

REVISED: SEPTEMBER, 1971

NISSAN MOTOR CO., LTD.

FIG. 38

S	KEY NO.	PART NO.	PART NAME	QTY	SALES UNIT	MODEL	ICA
	40	54038-04200	ASSY-SEAT, FRONT SPRING, LOWER R.H.	1	1	ALL	
	41	54038-04200	ASSY-SEAT, FRONT SPRING, LOWER L.H.	1	1	ALL	
	42	00911-14610	NUT	2	50	ALL	
	43	00915-11610	WASHER-LOCK	2	50	ALL	
	44	54050-14600	ASSY-BUMPER, REBOUND, FRONT SUSPENSION	2	1	ALL	
	45	54067-09400	ASSY-BRACKET, REBOUND, FRONT SUSPENSION, R.H.	1	1	ALL	
	46	54068-09400	ASSY-BRACKET, REBOUND, FRONT SUSPENSION, L.H.	1	1	ALL	
	47	00912-14510	NUT-PLAIN	2	50	ALL	
	48	00915-11510	WASHER-LOCK	2	50	ALL	
	49	54533-04100	ASSY-LINK, UPPER, FRONT SUSPENSION	2	1	ALL	
	50	54534-10600	SPINDLE-UPPER LINK, FRONT SUSPENSION	2	5	ALL	
	51	54507-10600	ASSY-BUSHING, UPPER LINK, FRONT SUSPENSION	4	5	ALL	
	52	00932-20200	NIPPLE-GREASE	4	50	ALL	
	53	54541-04100	SEAL-DUST, UPPER LINK BUSH	4	50	ALL	
	54	54542-04101	SHIM-CAMBER, A(1.0T)	4	50	ALL	
	55	54543-04101	SHIM-CAMBER, B(2.0T)	4	50	ALL	
	56	54544-04101	SHIM-CAMBER, C(4.0T)	4	50	ALL	
	57	54509-04100	WASHER-LOCK	2	50	ALL	
	58	54546-04101	SHIM-CASTER, REAR(1.2T)	4	10	ALL	
	59	00124-74610	PULLEY	2		ALL	
	60	54545-08700	PULLEY	4	10	ALL	Y

3B - 3

Printed in Japan

REVISED: SEPTEMBER, 1971

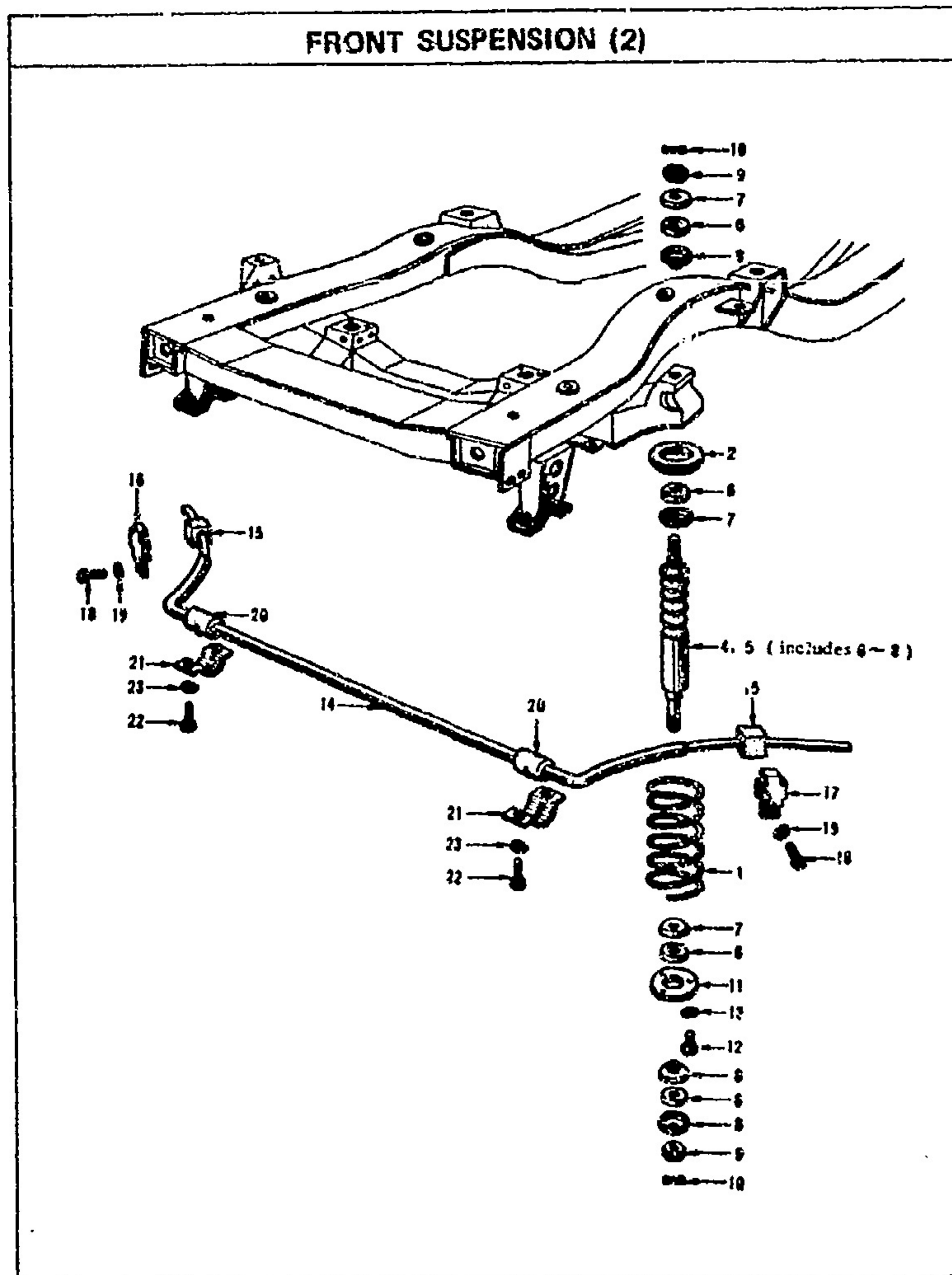
FIG. 38 E14 NISSAN MOTOR CO., LTD.

S	KEY NO.	PART NO.	PART NAME	QTY	SALES UNIT	MODEL	ICA
	61	00916-21710	WASHER-LOCK	4	98	ALL	
	62	54053-04100	BUFFER-RUBBER-REARUP. FRONT SUSPENSION	2	5	ALL	

REVISED: SEPTEMBER, 1971

38 - 4

Printed in Japan

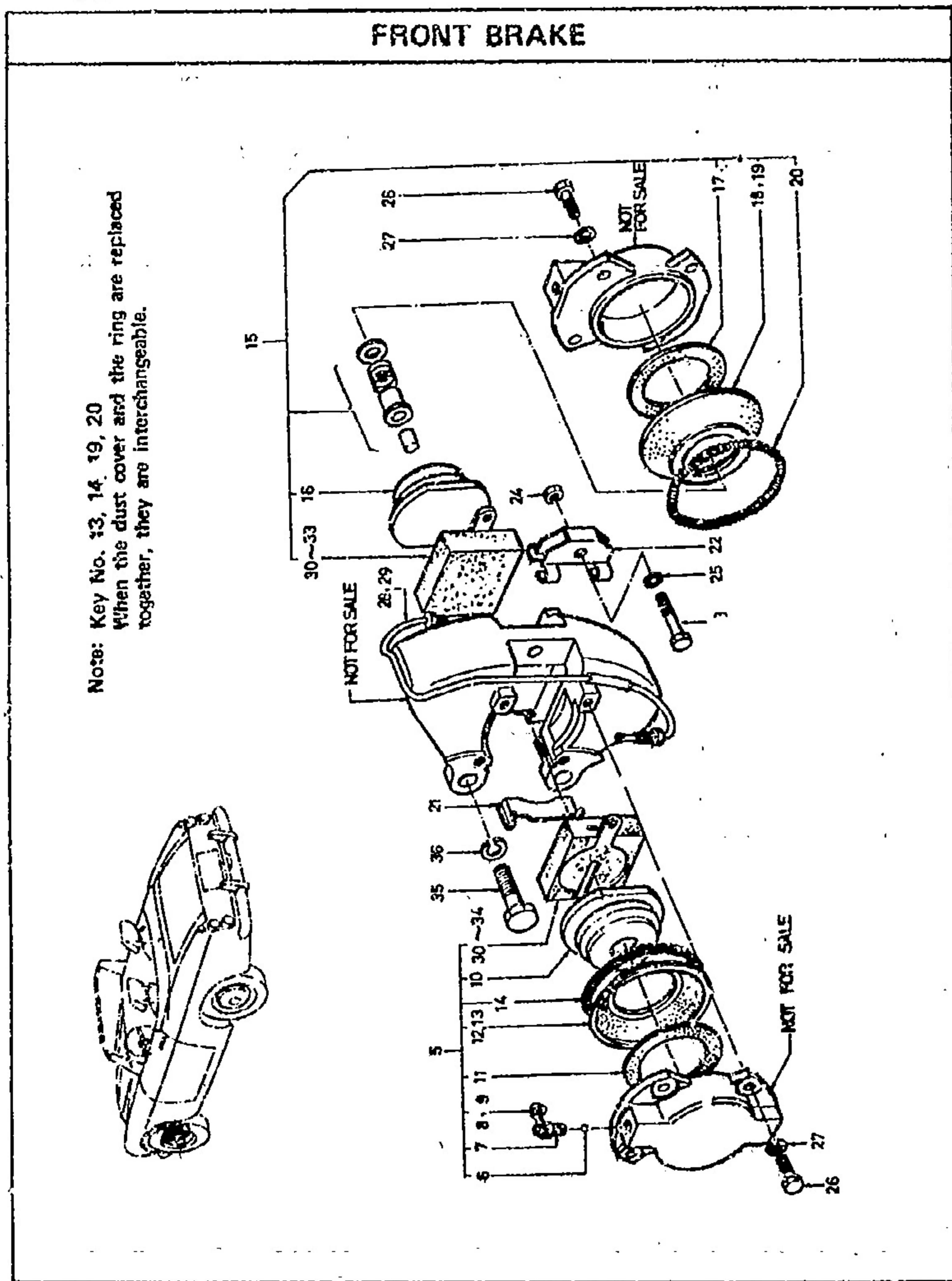


S	KEY NO.	PART NO.	PART NAME	QTY	SALES UNIT	MODEL	ICA	
		FRONT SUSPENSION (2)						
	1	54010-10501	SEAT=FRONT	2		ALL		
	2	54036-04100	SEAT=RUBBER,FRONT SPRING	2	5	ALL		
	3	56110-04225	KIT=ABSORBER,SHOCK,FRONT	2	1	ALL		
	4	56110-14625	KIT=ABSORBER,SHOCK,FRONT(INC.4,5,6,7)	2	1	ALL	Y	
	5	56110-25525	KIT=ABSORBER,SHOCK,FRONT(FROM E/R R=40001)	2	1	ALL	N	
	6	56112-09400	BUSHING=RUBBER	8	50	ALL		
	7	56113-09400	WASHER=SPECIAL	8	50	ALL		
	8	56114-09400	WASHER=SPECIAL	4	50	ALL		
	9	00911-74610	NUT	4	50	ALL		
	10	00921-22210	PIN=COTTER	4	50	ALL		
	11	56115-04100	BRACKET=MOUNTING,FRONT SHOCK ABSORBER,LOWER	2	1	ALL		
	12	00369-41610	SCREW	6	50	ALL		
	13	00915-11410	WASHER=LOCK	6	50	ALL		
	14	54611-04200	BAR=TORSION,FRONT STABILIZER	1	1	ALL		
	15	54616-04200	BUSHING=RUBBER,FRONT STABILIZER,LOWER LINK SIDE	2	10	ALL		
	16	54617-04200	CLIP=FRONT STABILIZER, LINK SIDE R.H.	1	5	ALL		
	17	54618-04200	CLIP=FRONT STABILIZER, LINK SIDE L.H.	1	10	ALL		
	18	00369-00810	SCREW	2	50	ALL		

FIG. 39 E16 NISSAN MOTOR CO., LTD.

S	KEY NO.	PART NO.	PART NAME	QTY	SALES UNIT	MODEL.	ICA
•	19	00919-11009	WASHER-LOCK	2		ALL	
	20	54613-04300	BUSHING-RUBBER, FRONT S TABILIZER, FRAME SIDE	2	10	ALL	
	21	54614-04200	RETAINER-BUSH, FRONT S7 TABILIZER, FRAME SIDE	2	1	ALL	
	22	00114-41010	BOLT	4	50	ALL	
•	23	00919-11409	WASHER-LOCK	4		ALL	

FIG. 40 F1 NISSAN MOTOR CO., LTD.



Note: Key No. 13, 14, 19, 20
When the dust cover and the ring are replaced
together, they are interchangeable.

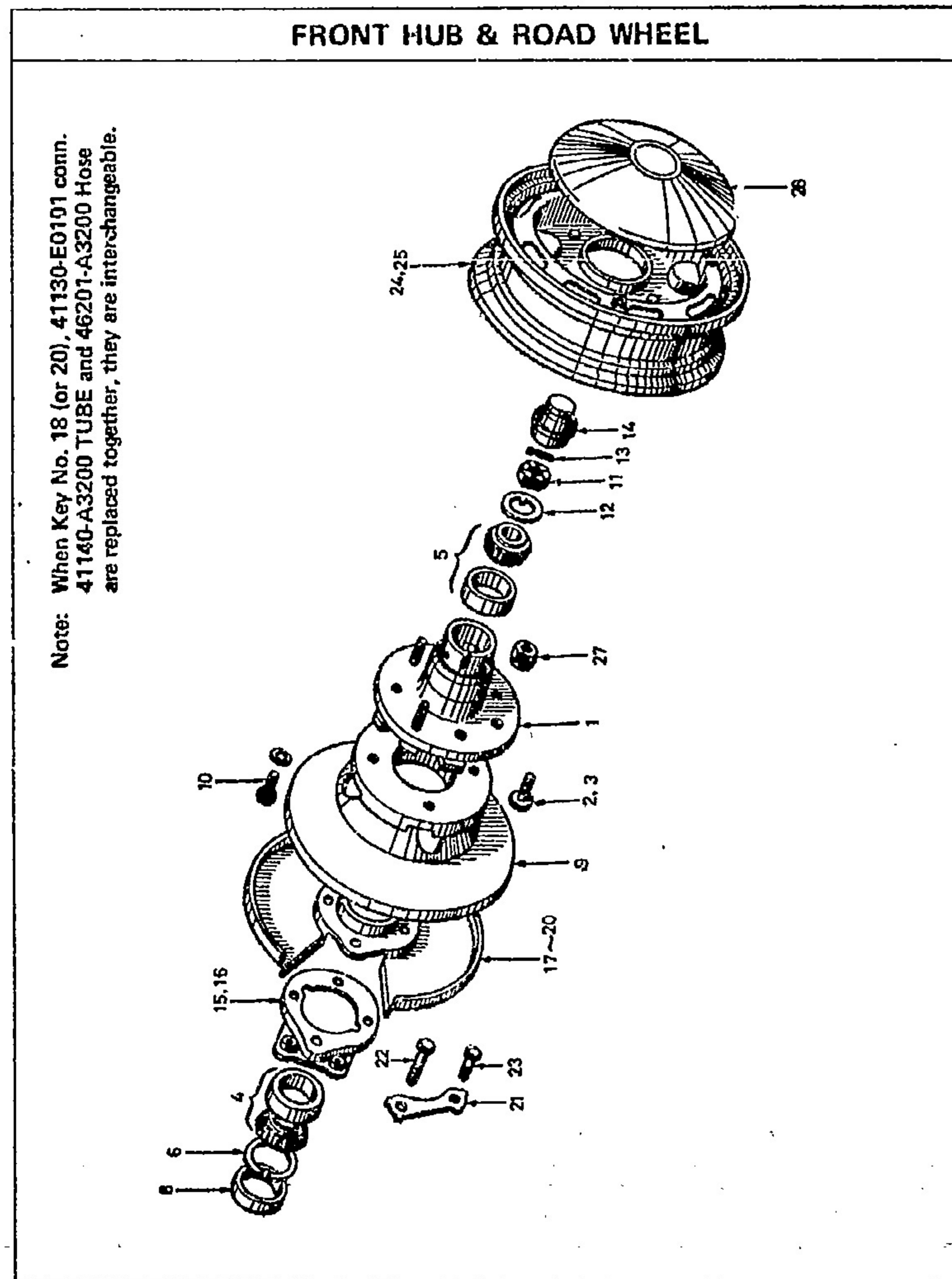
NISSAN MOTOR CO., LTD.

FIG. 40

S	KEY NO.	PART NO.	PART NAME	QTY	SALES UNIT	MODEL	ICA
	FRONT BRAKE						
•	1	41000-73400	ASSY-CALIPER, FRONT BRAKE, R, H,	1		ALL	
	2	41000-65001	ASSY-CALIPER, FRONT BRAKE, R, H,	1	1	ALL	Y
•	3	41010-73400	ASSY-CALIPER, FRONT BRAKE, L, H,	1		ALL	
	4	41010-65001	ASSY-CALIPER, FRONT BRAKE, L, H,	1	1	ALL	Y
	5	41100-14600	ASSY-CYLINDER, INNER	2	1	ALL	
	6	41126-14600	BALL-15/16	2	10	ALL	
	7	41126-14600	SCREW-BLEEDER	2	10	ALL	
	8	41129-30001	CAP-BLEEDER	2	10	ALL	
	9	41129-12410	CAP-BLEEDER	2	10	ALL	Y
	10	41120-14600	ASSY-PISTON	2	1	ALL	
	11	41124-14600	PACKING-PISTON	2	10	ALL	
•	12	41127-14600	COVER-DUST	2	10	ALL	
	13	41127-73400	COVER DUST	2	10	ALL	O
	14	41135-73400	RING	2	10	ALL	C
	15	41101-14600	ASSY-CYLINDER, OUTER	2	1	ALL	
	16	41120-14600	ASSY-PISTON	3	1	ALL	
	17	41124-14600	PACKING-PISTON	2	10	ALL	
•	18	41127-14600	COVER-DUST	2	10	ALL	
	19	41127-73400	COVER DUST	2	10	ALL	C
	20	41135-73400	RING	2	10	ALL	C
	21	41214-14600	PLATE-SUPPORT	4	5	ALL	

FIG. 40 F2 NISSAN MOTOR CO., LTD.

S	KEY NO.	PART NO.	PART NAME	QTY	SALES UNIT	MODEL	ICA
	22	41071-14600	PLATE-KEEP	2	5	ALL	
	23	41217-14600	BOLT TO FIX KEEP PLATE	2	10	ALL	
	24	41049-14600	NUT TO FIX KEEP PLATE	2	10	ALL	
	25	41057-14600	WASHER TO FIX KEEP PLATE	2	50	ALL	
	26	41218-14600	BOLT TO FIX CYLINDER	16	10	ALL	
	27	41057-14600	WASHER TO FIX CYLINDER	16	50	ALL	
	28	41142-14600	ASSY-TUBE, BRIDGE, R, H;	1	5	ALL	
	29	41143-14600	ASSY-TUBE, BRIDGE, L, H;	1	9	ALL	
•	30	41060-73400	ASSY-PAD	4		ALL	
•	31	41060-65001	ASSY-PAD(M33)RH/LH	4		ALL	Y
•	32	41060-65002	ASSY-PAD(M33S)RH	2	1	ALL	Y
•	33	41070-65002	ASSY-PAD(M33S)LH	2	1	ALL	
	34	41060-65025	KIT-PAD RH/LH	1		ALL	
	35	41005-14600	BOLT TO FIX CALIPER	4	10	ALL	
	36	00915-11810	WASHER TO FIX CALIPER	4	50	ALL	



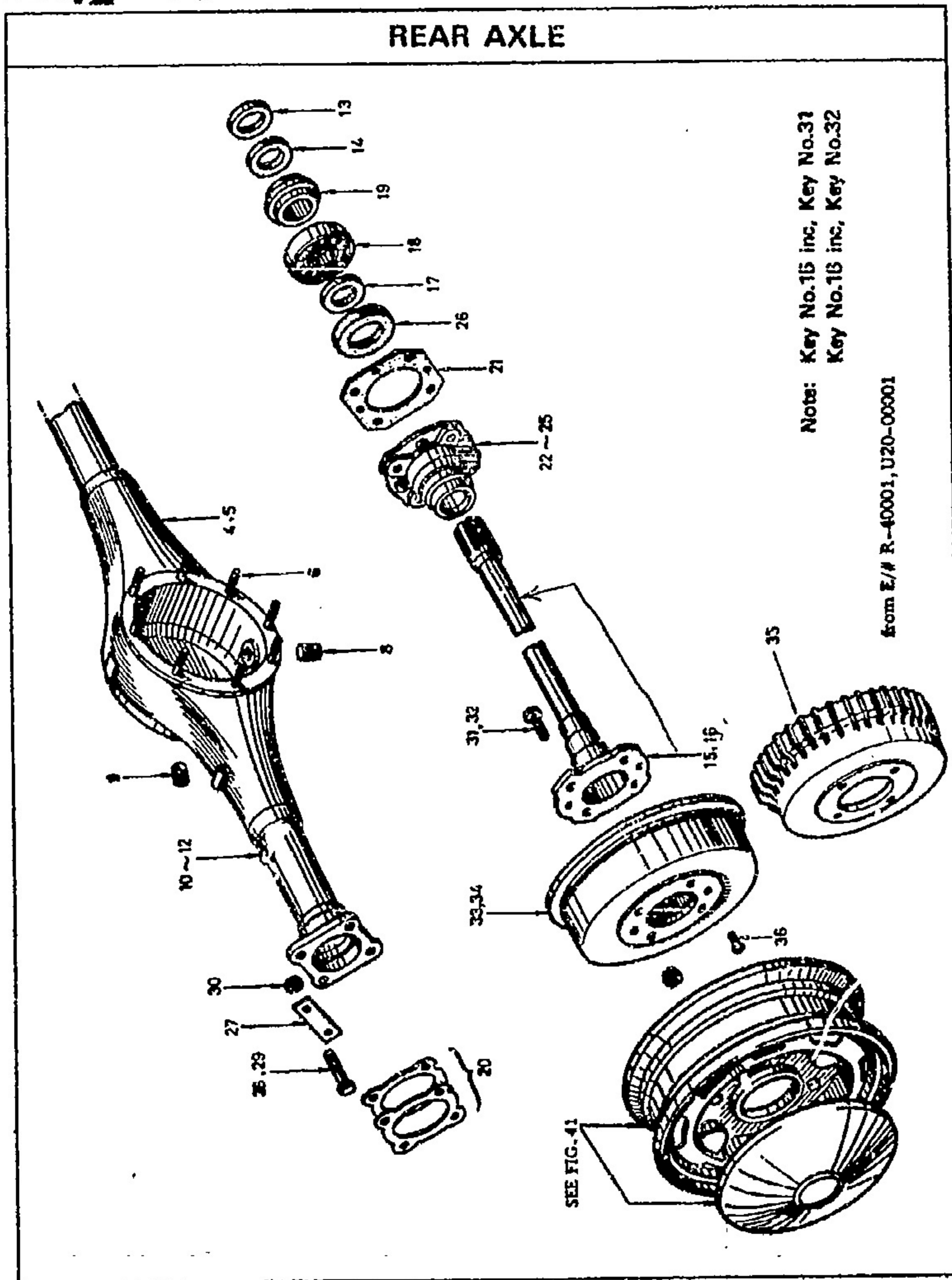
S	KEY NO.	PART NO.	PART NAME	QTY	SALES UNIT	MODEL	ICA
FRONT HUB & ROAD WHEEL							
	1	40202-1465J	ASSY-HUB,ROAD WHEEL,FRONT	2	1	ALL	
	2	40221-14600	BOLT-HUB,ROAD WHEEL	8	10	1.6L	
	3	40221-25500	BOLT-HUB,ROAD WHEEL(FRONT E/S R-40001)	8	10	ALL	H
	4	3A443-14361	BEARING-FRONT WHEEL,INNER	2	1	ALL	
	5	40219-14600	BEARING-FRONT WHEEL,OUTER	2	1	ALL	
	6	40231-04100	SPACER-OIL SEAL,FRONT HUB	2	10	ALL	
	7	40227-05000	SEAL-OIL,FRONT HUB	2		ALL	
	8	40232-16500	SEAL-OIL,FRONT HUB	2	10	ALL	Y
	9	40206-14600	ROTOR-DISCO BRAKE	2	1	ALL	
	10	40225-14600	BOLT-HUB ROTOR FIX	8	10	ALL	
	11	40048-04100	NUT-KNUCKLE SPINDLE	2	10	ALL	
	12	40037-04100	WASHER-FRONT WHEEL BEARING RING	2	10	ALL	
	13	90921-44010	PIN-COTTER	2	50	ALL	
	14	40234-14600	CAP-HUB,FRONT WHEEL	2	5	ALL	
	15	41026-14600	ADAPTER-CALIPER,R.H.	1	10	ALL	
	16	41030-14600	ADAPTER-CALIPER,L.H.	1	10	ALL	
	17	41025-14600	PLATE-BAFFLE,R.H.	1	1	ALL	
	18	41025-A3200	PLATE-BAFFLE,R.H.(FROM JULY-69)	1	1	ALL	C
	19	41035-14600	PLATE-BAFFLE,L.H.	1	1	ALL	

FIG. 41 F4 NISSAN MOTOR CO., LTD.

S	KEY NO.	PART NO.	PART NAME	QTY	SALES UNIT	MODEL	ICA
	20	41035-A3200	PLATE-RAFFLE, L.H. (FROM JULY-69)	1	2	ALL	C
	21	41025-04100	PLATE-LOCK	4	10	ALL	
	22	00134-65010	BOLT	4	25	ALL	
	23	00136-63210	BOLT	4	50	ALL	
	24	40300-14600	ASSY-WHEEL ROAD (TO E/ # 40060)	2	1	1.6L	
	25	40300-14601	ASSY-WHEEL, ROAD 4 1/2 J X 13 (FROM E/ # R-4000 1)	2	1	OP. ALL	N
	26	40225-04100	NUT-ROAD WHEEL	16	10	ALL	
	27	40225-28000	NUT-ROAD WHEEL	16	50	ALL	Y
	28	40315-14600	ASSY-COVER, ROAD WHEEL	4	1	ALL	

REVISED: SEPTEMBER, 1971

FIG. 42 F5 NISSAN MOTOR CO., LTD.



NISSAN MOTOR CO., LTD.

FIG. 42

S	KEY NO.	PART NO.	PART NAME	QTY	SALES UNIT	MODEL	ICA
			REAR AXLE				
	1	43000-14630	ASSY-AXLF, REAR WITH WHEEL 35/9(3,889)	1	1	1,6L	
	2	43000-25550	ASSY-AXLF, REAR WITH WHEEL 35/9(3,889)	1	1	1,6L	N
	3	43000-25650	ASSY-AXLF, REAR WITH WHEEL 37/10(3,700)	1	1	2L	
	4	43010-14600	COMP-CASE, REAR AXLE (TYPE E/R R-40000)	1	1	1,6L	
	5	43010-25550	COMP-CASE R/A (FROM E/R R-40001, U-00001)	1	1	ALL	N
	6	00224-52010	STUD-QFAR CARRIER	10	50	ALL	
	7	43027-04100	ASSY-PLUG DRAIN	1		ALL	
	8	32103-14600	ASSY-PLUG DRAIN	1	10	ALL	Y
	9	00931-21210	PLUG-TAPER	1	10	ALL	
	10	38322-14600	ASSY-BREATHER	1		1,6L	
	11	38322-14601	ASSY-BREATHER	1	10	1,6L	Y
	12	38322-55100	ASSY-BREATHER (FROM E/R R-40001, U-00001)	1	10	ALL	N
	13	43068-04101	SPACER-OIL SEAL, REAR AXLE	1	10	ALL	
	14	38212-04101	SEAL-OIL, REAR AXLE SHAFT	2	10	ALL	
	15	38164-14650	SHAFT-REAR AXLE	2	1	ALL	
	16	38164-25550	SHAFT-REAR AXLE	2	1	ALL	C
	17	43070-04101	SPACER-REAR AXLE BEARING	2	5	ALL	
	18	43215-00000	BEARING-REAR AXLE	2	1	ALL	

FIG. 42 F6 NISSAN MOTOR CO., LTD.

S	KEY NO.	PART NO.	PART NAME	QTY	SALES UNIT	MODEL	ICA
	10	43084-10600	COLLAR-BEARING, REAR AXLE	2	5	ALL	
	20	43036-04100	SHIM-REAR AXLE CASE END	AR	50	ALL	
	21	43239-04100	PACKING-GREASE CATCHER	2	50	ALL	
	22	43234-04101	ASSY-CATCHER, GREASE, REAR	1	5	ALL	
	23	43235-04101	ASSY-CATCHER, GREASE, REAR AXLE CASE, L, H.	1	5	ALL	
	24	43234-10400	ASSY-CATCHER, GREASE, REAR AXLE BEARING (FROM C/ # SP311-U 01080 SPL31 1 07020)	2		ALL	N
	25	43234-10401	ASSY-CATCHER, GREASE REAR	2	10	ALL	Y
	26	43223-04100	SEAL-GREASE, REAR AXLE BEARING	2	10	ALL	
	27	43233-04100	PLATE-LOCK, BRAKE DISC FIXING BOLT	4	50	ALL	
	28	43083-04101	BOLT-FIXING, REAR BRAKE DISC	8	10	ALL	
	29	43083-10400	BOLT-FIXING, REAR BRAKE DISC (FROM C/ # SP311-U 01080 SPL311 07020)	8	50	ALL	N
	30	00912-44510	NUT	8	50	ALL	
	31	40221-04101	BOLT-HUB, ROAD WHEEL (TO E/ # R-40000)	8	20	1.6L	
	32	40221-25500	BOLT-HUB, ROAD WHEEL (FROM E/ # R-40001)	8	10	ALL	N
	33	40206-10501	DRUM-BRAKE	2		1.6L	
	34	40206-18700	DRUM-BRAKE (TO E/ # R-40000)	2	1	1.6L	Y
	35	43206-25500	DRUM-BRAKE WITH A1 FINS (FROM E/ # R-40001)	2	1	ALL	N

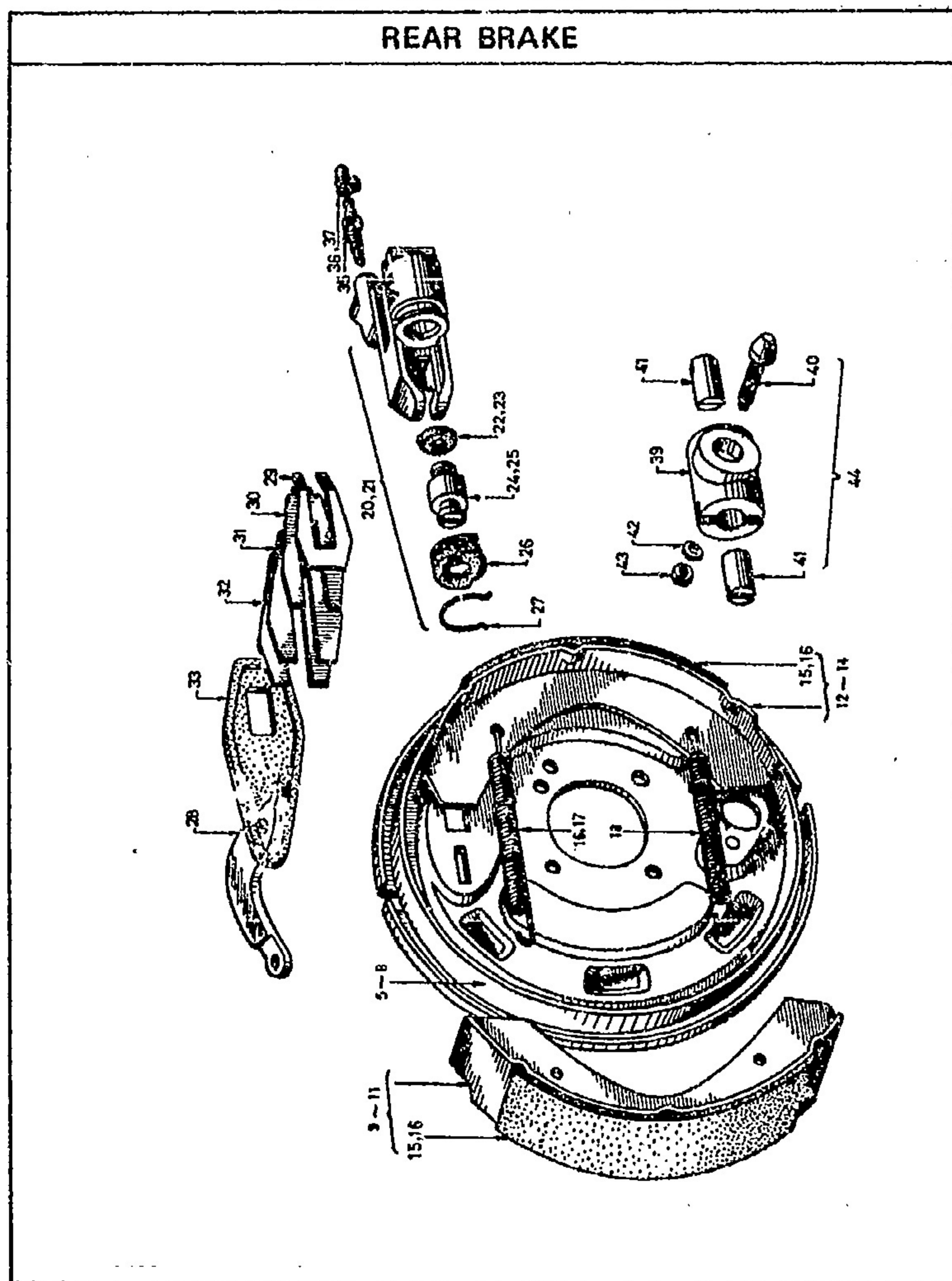
NISSAN MOTOR CO., LTD.

FIG. 42

S	KEY NO.	PART NO.	PART NAME	QTY	SALES UNIT	MODEL	ICA
	36	00324-41410	SCREW	4	50	ALL	

FIG. 43 F7

NISSAN MOTOR CO., LTD.



MARCH, 1971

F43 - 1

Printed in Japan

NISSAN MOTOR CO., LTD.

FIG. 43

S	KEY NO.	PART NO.	PART NAME	QTY	SALES UNIT	MODEL	ICA
			REAR BRAKE				
	1	44000-14600	ASSY-BRAKE, REAR, R.H.	1	1.6L		
	2	44000-25500	ASSY-BRAKE, REAR, R.H. (FROM E/S R-40001)	1	ALL		N
	3	44010-14600	ASSY-BRAKE, REAR, L.H.	1	1.6L		
	4	44010-25500	ASSY-BRAKE, REAR, L.H. (FROM E/S R-40001)	1	ALL		N
	5	44020-10600	ASSY-DISC, REAR BRAKE, R.H.	1	1.6L	X	
	6	44020-25500	ASSY-DISC, REAR BRAKE, R.H. (FROM E/S R-40001)	1	ALL		N
	7	44030-10600	ASSY-DISC, REAR BRAKE, L.H.	1	1.6L	X	
	8	44030-25500	ASSY-DISC, REAR BRAKE, L.H. (FROM E/S R-40001)	1	ALL		N
	9	44060-10500	ASSY-SHOE, REAR BRAKE, FRONT	2	1.6L		
	10	44060-16900	ASSY-SHOE, REAR BRAKE, FRONT (FROM E/S R-40001)	2	ALL		N
	11	44060-14600	ASSY-SHOE, REAR BRAKE, FRONT (FROM E/S R-40001)	2	OP, ALL		
	12	44070-10500	ASSY-SHOE, REAR BRAKE, AFTER	2	1.6L		
	13	44070-16500	ASSY-SHOE, REAR BRAKE, AFTER (FROM E/S R-40001)	2	ALL		N
	14	44070-14600	ASSY-SHOE, REAR BRAKE, AFTER (FROM E/S R-40001)	2	OP, ALL		
	15	41066-10500	LINING-BRAKE (B40)	4	ALL		
	16	44066-14600	LINING-BRAKE (AH-4)	4	OP, ALL		

REVISED: MARCH, 1971

43 - 1

Printed in Japan

FIG. 43 F8 NISSAN MOTOR CO., LTD.

S	KEY NO.	PART NO.	PART NAME	QTY	SALES UNIT	MODEL	ICA
	17	44070-30001	SPRING-RETURN, BRAKE SHOE, CYLINDER SIDE	2	10	1.6L	
	18	44090-16005	SPRING-RETURN, BRAKE SHOE, CYLINDER SIDE (FROM E/S R-40001)	2	5	ALL	N
	19	44071-30001	SPRING-RETURN, BRAKE SHOE, ADJUSTER SIDE	2	10	1.6L	
	20	44100-16000	ASSY-CYLINDER, REAR WHEEL (1 3/16") (NABCO)	2	1	1.6L	
	21	44100-25000	ASSY-CYLINDER, REAR WHEEL (1 3/8") (NABCO) (FROM E/S R-40001)	2	1	ALL	N
	22	44112-71200	CUP-PISTON (TO E/S R-40000)	2	20	1.6L	
	23	44112-32201	CUP-PISTON (FROM E/S R-40001)	2	50	ALL	N
	24	44100-14000	PISTON-REAR WHEEL (TO E/S R-40000)	2	5	1.6L	
	25	44100-73400	PISTON-REAR WHEEL (FROM E/S R-40001)	2	5	ALL	N
	26	44124-31700	COVER-NUST, A	2	10	ALL	
	27	44113-31700	RING-SHAP	2	10	ALL	
	28	44110-30001	ASSY-LEVER	2	5	ALL	
	29	44101-31700	SHIM-ADJUSTING, A	2	10	ALL	
	30	44142-31700	SHIM-ADJUSTING, B	2	10	ALL	
	31	44149-31700	PLATE-A	2	5	ALL	
	32	44150-31700	PLATE-B	2	10	ALL	
	33	44144-31700	COVER-DUST, B	2	10	ALL	
	34	44131-14000	GASKET	2	10	ALL	
	35	41120-30001	SCREW-BLEEDER	2	10	ALL	
	36	41120-30001	CAP-BLEEDER	2	10	ALL	

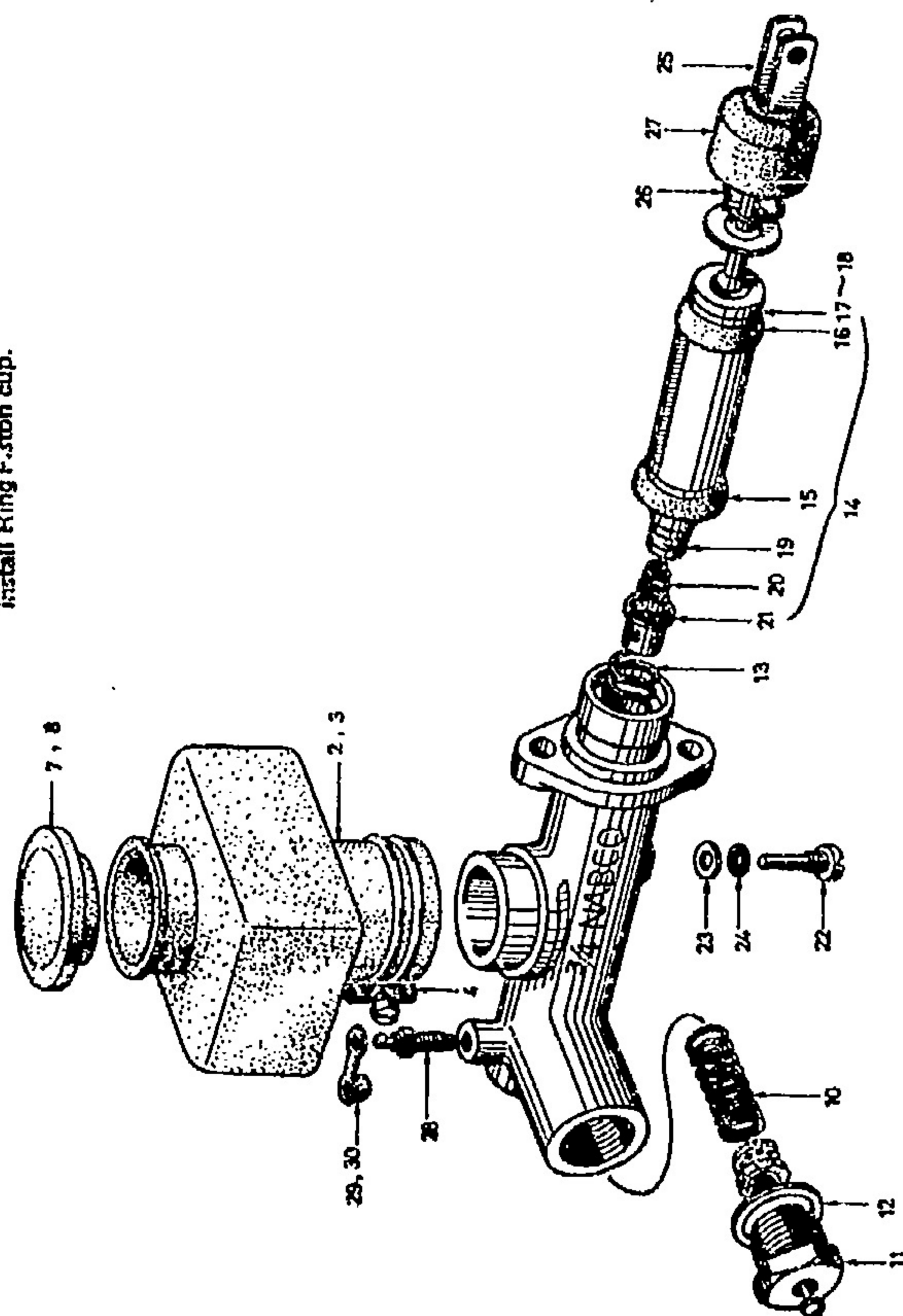
NISSAN MOTOR CO., LTD.

FIG. 43

S	KEY NO.	PART NO.	PART NAME	QTY	SALES UNIT	MODEL	ICA
	37	41129-A2410	CAP-BLEEDER	2	10	ALL	Y
	38	44001-04100	ASSY-HOUSING, BRAKE SHOE ADJUSTER	2	1	1.6L	
	39	44202-10400	ASSY-HOUSING, BRAKE SHOE ADJUSTER	2	1	ALL	Y
	40	44004-30000	WEDGE-ADJUSTER	2	10	ALL	
	41	44205-10500	TAPPET-ADJUSTER	4	10	ALL	
	42	00915-11410	WASHER-LOCK	4	50	ALL	
	43	00911-14410	NUY	4	50	ALL	
	44	44200-10400	ASSY-ADJUSTER, REAR BRAKE (INC. 20, 21, 22)	2	1	ALL	
	45	44100-14625	KIT-A, REAR WHEEL CYLINDER (TO E/S R-40000)	1	1	1.6L	
	46	44100-14626	KIT-B, REAR WHEEL CYLINDER (TO E/S R-40000)	1	1	1.6L	
	45-02	44100-73425	KIT-A, REAR WHEEL CYLINDER (FROM E/S R-40001)	1		ALL	N
	46-02	44100-73426	KIT-B, REAR WHEEL CYLINDER (FROM E/S R-40001)	1		ALL	N

BRAKE MASTER CYLINDER (SINGLE) (TO E/# R-40000)

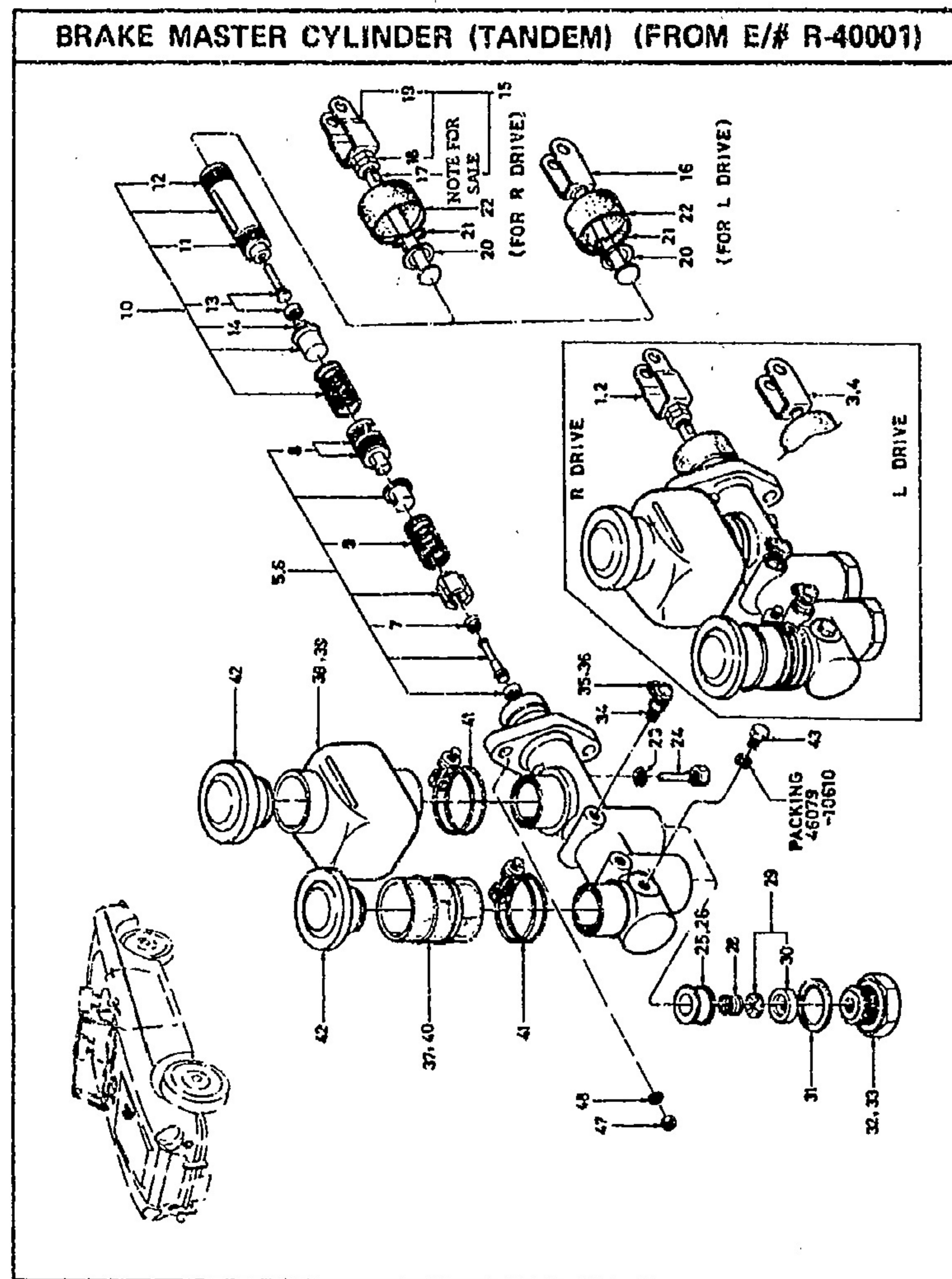
Note: When using Key No. 18 (Piston cup), you need not install Ring Piston cup.



S	KEY NO.	PART NO.	PART NAME	QTY	SALES UNIT	MODEL	ICA
BRAKE MASTER CYLINDER (SINGLE) (TO E/# R-40000)							
	1	46010-14602	ASSY-CYLINDER, BRAKE MASTER (3/4" NABCO)	1	1	1.6L	
	2	46091-14601	RESERVOIR-BRAKE OIL	1	1	1.6L	
	3	46091-23100	RESERVOIR-BRAKE OIL	1	1	1.6L	Y
	4	46016-14600	ASSY-BAND, OIL RESERVOIR	1	5	1.6L	
	5	46020-10601	SET-CAP, OIL RESERVOIR	1	5	1.6L	
	6	46020-18000	SET-CAP, OIL RESERVOIR	1	5	1.6L	Y
	7	46020-28600	SET-CAP, OIL RESERVOIR	1	5	1.6L	Y
	8	46020-E0300	SET-CAP, OIL RESERVOIR	1	10	1.6L	Y
	9	46050-14600	SPRING-CYL (TOKICO)	1	10	ALL	
	10	46027-10600	SPRING-VALVE	1	10	1.6L	
	11	46038-12200	CAP-VALVE	1	5	1.6L	
	12	46042-27260	GASKET-CAP VALVE	1	10	1.6L	
	13	46075-27260	SPRING-PISTON	1	5	1.6L	
	14	46063-30001	ASSY-PISTON, BRAKE MASTER	1	1	1.6L	
	15	46078-27261	CUP-PISTON (P)	1	10	1.6L	
	16	46065-27261	CUP-PISTON (S)	1	10	1.6L	
	17	46069-27260	RING-PISTON CUP (S)	1	10	1.6L	
	18	2R211-0503P	CUP-PISTON (S)	1	20	1.6L	13
	19	46073-30800	ASSY-VALVE, INLET	1	10	1.6L	
	20	46056-27260	SPRING-VALVE INLET	1	10	1.6L	
	21	46074-30800	RETAINER-SPRING	1	10	1.6L	

FIG. 44 F10 NISSAN MOTOR CO., LTD.

S	KEY NO.	PART NO.	PART NAME	QTY	SALES UNIT	MODEL	ICA
	22	46032-27260	SCREW-STOPPER	1	10	1.6L	
	23	46043-27260	PACKING	1	50	1.6L	
	24	46079-27260	RING-ROD	1	10	1.6L	
	25	46081-12900	ASSY-ROD,PUSH	1	5	1.6L	
	26	46070-27260	RING-SNAP	1	50	ALL	
	27	46100-27260	COVER-DUST	1	10	ALL	
	28	41128-30001	SCREW-BLEEDER	1	10	ALL	
	29	41129-30001	CAP-BLEEDER SCREW	1	10	ALL	
	30	41129-A2410	CAP-BLEEDER,SCREW	1	10	ALL	Y
•	31	46117-27260	SHIM-MASTER CYLINDER(1.6T)	AR	50	ALL	
	32	46117-25600	SHIM-MASTER CYLINDER (1.6T)	19	10	ALL	Y
•	33	46118-27260	SHIM-MASTER CYLINDER(0.8T)	AR	50	ALL	
	34	46118-25600	SHIM-MASTER CYLINDER (0.8T)	19	10	ALL	Y
•	35	46119-27260	SHIM-MASTER CYLINDER(0.5T)	AR	10	ALL	
	36	46119-25600	SHIM-MASTER CYLINDER (0.5T)	19	10	ALL	Y
	37	30614-01300	BOLT TO FIX BRAKE MASTER	2	5	ALL	
	38	00911-14510	NUT TO FIX BRAKE MASTER	2	50	ALL	
	39	00915-21510	WASHER-LOCK TO FIX BRAKE MASTER	2	50	ALL	
	40	46010-14625	KIT-A,BRAKE MASTER CYL (SINGLE)	1	1	1.6L	
	41	46010-14626	KIT-B,BRAKE MASTER CYL (SINGLE)	1	1	1.6L	



KEY NO.	PART NO.	PART NAME	QTY	SALES UNIT	MODEL	ICA
BRAKE MASTER CYLINDER (TANDEM) (FROM E/# R-40001)						
1	46010-25900	ASSY-CYLINDER, BRAKE MASTER, TANDEM TYPE W/S TOPPER	1	3	SP, SR	
2	46010-47400	ASSY-CYLINDER, BRAKE MASTER, TANDEM TYPE W/S TOPPER	1	1	SP, SR	Y
3	46010-25600	ASSY-CYLINDER, BRAKE MASTER (FROM E/# R-40001, U 20-0001)	1	1	SPL, SRL	
4	46010-47800	ASSY-CYLINDER, BRAKE MASTER TANDEM TYPE W/S TOPPER	1	1	SPL, SRL	Y
5	46063-25510	ASSY-PISTON (TOKICO)	1	5	ALL	
6	46063-47410	ASSY-PISTON (TOKICO)	1	5	ALL	Y
7	46056-73010	SPRING-VALVE INLET (TOKICO)	1	10	ALL	
8	46078-61010	CUP-PISTON (PAS) (TOKICO)	2	10	ALL	
9	46075-23111	SPRING-CYLINDER (TOKICO)	1	5	ALL	
10	46063-23112	ASSY-PISTON (R) (TOKICO)	1	1	ALL	
11	46068-61010	CUP-PISTON (S) (TOKICO)	1	10	ALL	
12	46078-61010	CUP-PISTON (PAS) (TOKICO)	1	10	ALL	
13	46073-10610	ASSY-VALVE INLET (TOKICO)	2	10	ALL	
14	46056-73010	SPRING-VALVE INLET (TOKICO)	1	10	ALL	
15	46080-25510	ASSY-ROD PUSHER (TOKICO)	1	5	SP, SR	
16	46080-25610	ASSY-ROD PUSHER (TOKICO)	1	5	SPL, SRL	

FIG. 44A F12 NISSAN MOTOR CO., LTD.

S	KEY NO.	PART NO.	PART NAME	QTY	SALES UNIT	MODEL	ICA
	17	46080-25510	ROD-PUSH	1	5	SP,SR	
	18	46103-73410	NUT-HEXAGON	1	50	SP,SR	
	19	30629-73410	YUVE	1	5	SP,SR	
	20	46082-73410	STOPPER	1	10	SP,SR	
	21	46070-27260	RING-SHAP	1	50	ALL	
	22	46100-27260	COVER-DUST	1	10	ALL	
	23	46079-10610	PACKING	2	10	ALL	
	24	46032-10610	SCREW-STOPPER	1	10	ALL	
	25	46059-73010	SEAT-VALVE	2	5	ALL	
	26	46059-69010	SEAT-VALVE	2	10	ALL	Y
	27	46027-73010	SPRING-VALVE	2	10	ALL	
	28	46027-A6900	SPRING-VALVE	2	5	ALL	Y
	29	46050-73410	ASSY-VALVE	2	5	ALL	
	30	46057-73410	RETAINER	2	10	ALL	
	31	46036-30200	GASKET-CAP VALVE	2	10	ALL	
	32	46036-73010	CAP-VALVE	2	5	ALL	
	33	46038-E0110	CAP-VALVE	2		ALL	Y
	34	41120-21011	SCREW-BLEEDER	2	10	ALL	
	35	41129-33001	CAP-BLEEDER SCREW	2	10	ALL	
	36	41129-A2410	CAP-BLEEDER SCREW	2	10	ALL	Y
	37	46090-10610	RESERVOIR-BRAKE OIL (TOKICO)	1	1	SP,SR	
	38	46090-25610	RESERVOIR-BRAKE OIL (TOKICO)	1	1	SPL,SRL	
	39	46090-25510	RESERVOIR-BRAKE OIL (TOKICO)	1	1	SP,SR	
	40	46091-25610	RESERVOIR-BRAKE OIL (TOKICO)	1	1	SPL,SRL	

44-A- 2

Printed in Japan

REVISED: MARCH, 1971

NISSAN MOTOR CO., LTD.

FIG. 44A

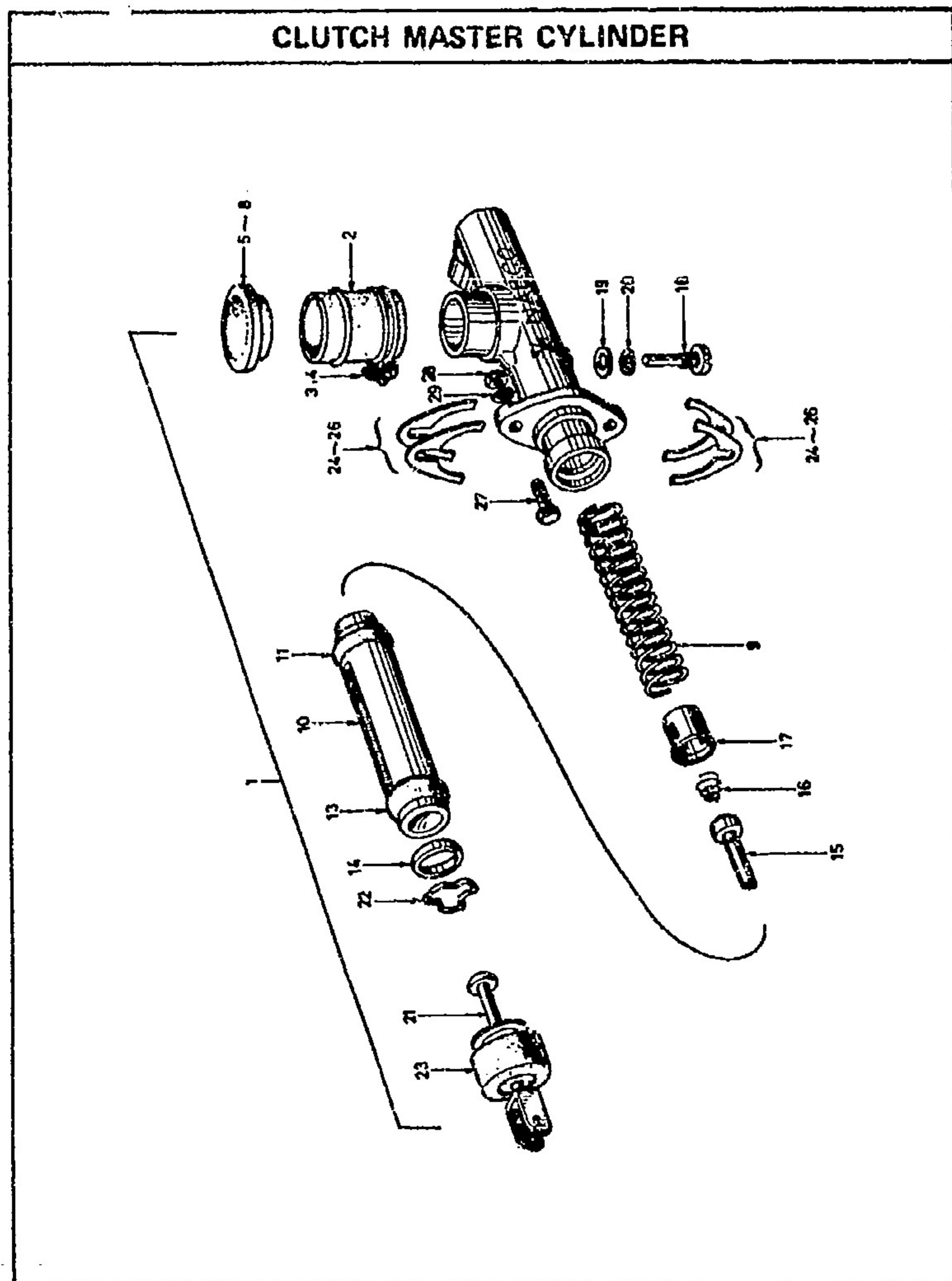
S	KEY NO.	PART NO.	PART NAME	QTY	SALES UNIT	MODEL	ICA
	41	46016-10610	ASSY-BAND OIL RESERVOIR	2	5	ALL	
	42	46020-10610	SET-CAP OIL RESERVOIR (TOKICO)	2	5	ALL	
	43	46070-28511	STOPPER	1	10	ALL	
	44	46117-25600	SHIN-BRAKE MASTER (1.0T)	AM	10	ALL	
	45	46118-25600	SHIN-BRAKE MASTER (0.8T)	AM	10	ALL	
	46	46119-25600	SHIN-BRAKE MASTER (0.5T)	AM	10	ALL	
	47	00911-14510	NUT-HEXAGON 5/16-24-UNF	2	50	ALL	
	48	00915-21510	WASHER-LOCK 5/16	2	50	ALL	
	49	46010-23127	KIT-"A", BRAKE MASTER (FROM E/S R-40001)	1	1	ALL	
	50	46010-A7427	KIT-"A", BRAKE MASTER	1	1	ALL	Y
	51	46010-25520	KIT-"B", BRAKE MASTER (FROM E/S R-40001)	1	1	ALL	
	52	46010-A7428	KIT-"B", BRAKE MASTER	1	1	ALL	Y

44-A- 3

Printed in Japan

REVISED: MARCH, 1971

FIG. 45 F13 NISSAN MOTOR CO., LTD.



DECEMBER, 1970

F46 - 1

Printed in Japan

NISSAN MOTOR CO., LTD.

FIG. 45

S	KEY NO.	PART NO.	PART NAME	QTY	SALES UNIT	MODEL	ICA
			CLUTCH MASTER CYLINDER				
	1	30610-12000	ASSY-CYLINDER, CLUTCH MASTER (3/8" NIPPER)	1	1	ALL	
	2	46090-10600	RESERVOIR-BRAKE OIL	1	1	ALL	
X	3	46016-12200	ASSY-BAND, OIL RESERVOIR	1	5	ALL	770 Y ← (註) 74-10)
	4	46016-14600	ASSY-BAND, OIL RESERVOIR	1		ALL	Y
•	5	46020-10601	SET-CAP, OIL RESERVOIR	1	5	ALL	
•	6	46020-18000	SET-CAP, OIL RESERVOIR	1	5	ALL	Y
•	7	46020-28600	SET-CAP, OIL RESERVOIR (NOT FOR SALE)	1	5	ALL	Y
	8	46020-60300 46020-R0100	SET-CAP, OIL RESERVOIR	1	10	ALL	Y 770 04-1537
	9	46061-30000	SPRING-PISTON	1	5	ALL	
	10	46076-08700	ASSY-PISTON, CLUTCH MASTER	1	1	ALL	
	11	46064-30002	CUP-PISTON(P)	1	10	ALL	
•	12	46065-30002	CUP-PISTON(S)	1		ALL	
	13	46065-15000	CUP-PISTON(S)	1	10	ALL	Y
	14	46069-30000	RING-PISTON CUP(S)	1	50	ALL	
	15	46073-30000	ASSY-VALVE, INLET	1	10	ALL	
	16	46096-27260	SPRING-VALVE, INLET	1	10	ALL	
	17	46076-30000	RETAINER-SPRING	1	10	ALL	
	18	46032-27260	SCREW-STOPPER	1	10	ALL	
	19	46043-27260	PACKING	1	50	ALL	
	20	46079-27260	RING-O-RING	1	10	ALL	

REVISED: DECEMBER, 1970

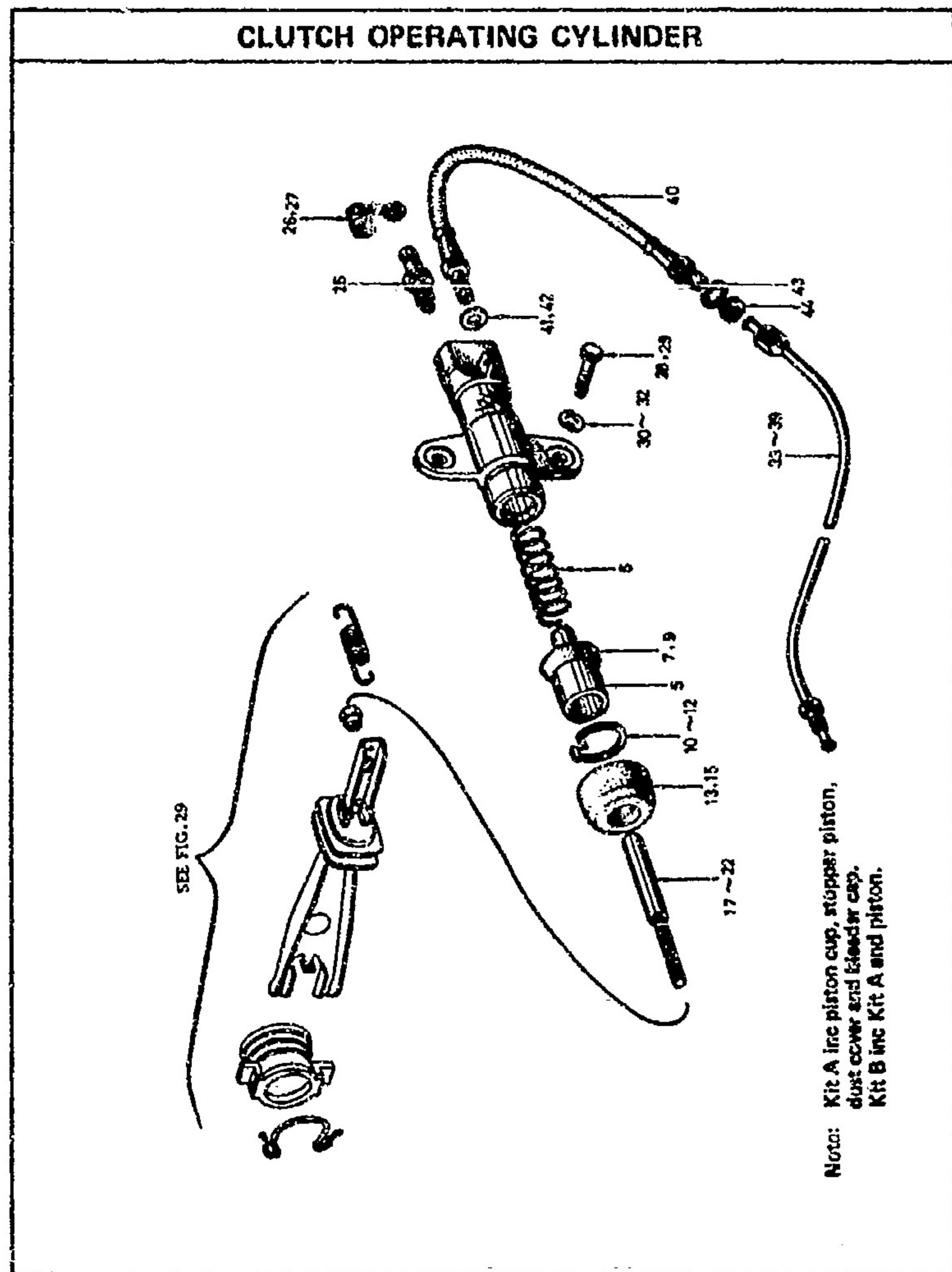
45 - 2

Printed in Japan

FIG. 45 F14 NISSAN MOTOR CO., LTD.

S	KEY NO.	PART NO.	PART NAME	QTY	SALES UNIT	MODEL	ICA
	21	46081-12900	ASBY-ROD,PUSH	1	5	ALL	
	22	46070-27260	RING-SNAP	1	50	ALL	
	23	46100-27260	COVER-DUST	1	20	ALL	
	24	30611-27260	SHIM-MASTER CYLINDER(1 .6T)	AR	50	ALL	
	25	30612-27260	SHIM-MASTER CYLINDER(0 .9T)	AR	50	ALL	
	26	30613-27260	SHIM-MASTER CYLINDER(0 .5T)	AR	50	ALL	
	27	30614-01300	BOLT TO FIX CLUTCH MAS TER CYLINDER	2	5	ALL	
	28	00911-14910	NUT TO FIX CLUTCH MAS TER CYLINDER	2	50	ALL	
*	29	00915-21500	WASHER-LOCK TO FIX CLU TCH MASTER CYLINDER	2		ALL	
	30	30610-10625	KIT-A,CLUTCH MASTER RE PAIR	1	2	ALL	
	31	30610-10626	KIT-B,CLUTCH MASTER RE PAIR	1	1	ALL	

FIG. 46-1 F15 NISSAN MOTOR CO., LTD.



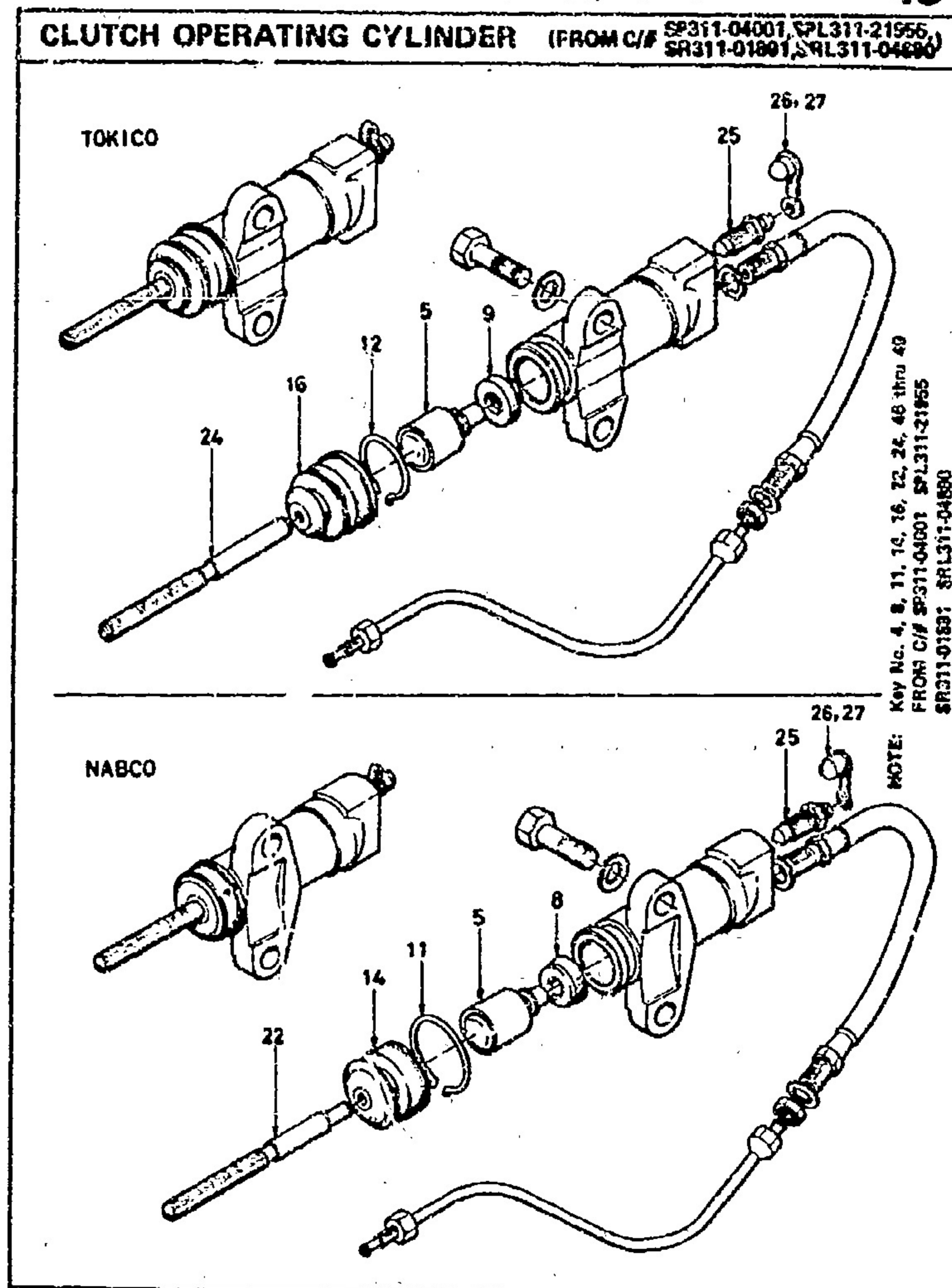
MARCH, 1971

F46 - 1

Printed in Japan

NISSAN MOTOR CO., LTD.

FIG. 46-2



MARCH, 1971

F46 - 2

Printed in Japan

FIG. 46 F16 NISSAN MOTOR CO., LTD.

S	KEY NO.	PART NO.	PART NAME	QTY	SALES UNIT	MODEL	ICA
CLUTCH OPERATING CYLINDER							
	1	30620-14601	ASSY-CYLINDER, CLUTCH OPERATING (TO SEP-67)	1	2L	1.6L	
	2	30620-22570	ASSY-CYLINDER, CLUTCH OPERATING (TO SEP-67)	1	1	2L	
	3	30620-25506	ASSY-CYL. CLUTCH OPERATING (NABCO & TOKICO) (FROM OCT-67)	1	1	ALL	Y
	4	30620-25501	ASSY-CYL. CLUTCH OPERATING (NABCO & TOKICO) (FROM SEE FIG)	1	1	ALL	Y
	5	30620-27260	PISTON-CLUTCH OPERATING CYLINDER (NABCO & TOKICO)	1	10	ALL	
	6	30620-36900	SPRING-RETURN, PISTON (ONLY FOR 30620-14601)	1	10	ALL	
	7	30624-30902	CUP-PISTON (SYNTHETIC RUBBER) (NABCO)	1	50	ALL	
	8	30624-21000	CUP-PISTON (NABCO) (FROM C/P SEE FIG)	2	20	ALL	Y
	9	30624-10610	CUP-PISTON (TOKICO)	1	10	ALL	
	10	30626-30001	STOPPER-PISTON (NABCO)	1	50	ALL	
	11	30626-70000	STOPPER-PISTON (NABCO) (FROM C/P SEE FIG)	1	10	ALL	N
	12	30626-25510	STOPPER-PISTON (TOKICO) (FROM OCT-67)	1	10	ALL	
	13	30627-32200	COVER-CLUTCH OPERATING CYLINDER (NABCO)	1	10	ALL	
	14	30627-25500	COVER-CLUTCH OPERATING CYL. (NABCO) (FROM C/P SEE FIG)	1	10	ALL	N
	15	30627-10610	COVER-DUST (TOKICO)	2	10	ALL	

REVISED: MARCH, 1971

46- - 1

Printed in Japan

NISSAN MOTOR CO., LTD.

FIG. 46

S	KEY NO.	PART NO.	PART NAME	QTY	SALES UNIT	MODEL	ICA
	16	30627-25510	COVER-CLUTCH OPERATING CYL. (TOKICO) (FROM C/P SEE FIG)	1	2	ALL	N
	17	30620-32200	ROD-PUSH, CLUTCH OPERATING CYLINDER	1	10	1.6L	
	18	30620-30700	ROD-PUSH, CLUTCH OPERATING CYLINDER	1	10	1.6L	Y
	19	30620-25500	ROD-PUSH	1	20	2L	
	20	30620-32200	ROD-PUSH (NABCO)	1	10	1.6L	Y
	21	30620-25501	ROD-PUSH (NABCO)	1	10	2L	Y
	22	30620-25502	ROD-PUSH (NABCO) (FROM C/P SEE FIG)	1	10	ALL	N
	23	30620-25510	ROD-PUSH (TOKICO)	1	10	ALL	
	24	30620-25511	ROD-PUSH (TOKICO) (FROM C/P SEE FIG)	1	10	ALL	N
	25	01120-30001	SCREW-BLEEDER (NABCO & TOKICO)	1	10	ALL	
	26	01120-30001	CAP-BLEEDER SCREW (NABCO & TOKICO)	1	10	ALL	
	27	01120-02010	CAP-BLEEDER SCREW	1	10	ALL	Y
	28	00124-63010	BOLT TO ATTACH CLUTCH OPERATING CYLINDER	2	50	1.6L	
	29	00121-03010	BOLT TO ATTACH CLUTCH OPERATING CYLINDER	2	25	2L	
	30	00915-21600	WASHER TO ATTACH CLUTCH OPERATING CYLINDER	2	50	1.6L	
	31	00915-21610	WASHER TO ATTACH CLUTCH OPERATING CYLINDER	2	50	1.6L	Y
	32	00915-24510	WASHER TO ATTACH CLUTCH OPERATING CYLINDER	2	50	2L	
	33	30630-14700	ASSY-TUBE, CLUTCH MASTER CYLINDER TO CLUTCH HOSE	1	1	SPL	

REVISED: MARCH, 1971

46- - 2

Printed in Japan

FIG. 46 G1 NISSAN MOTOR CO., LTD.

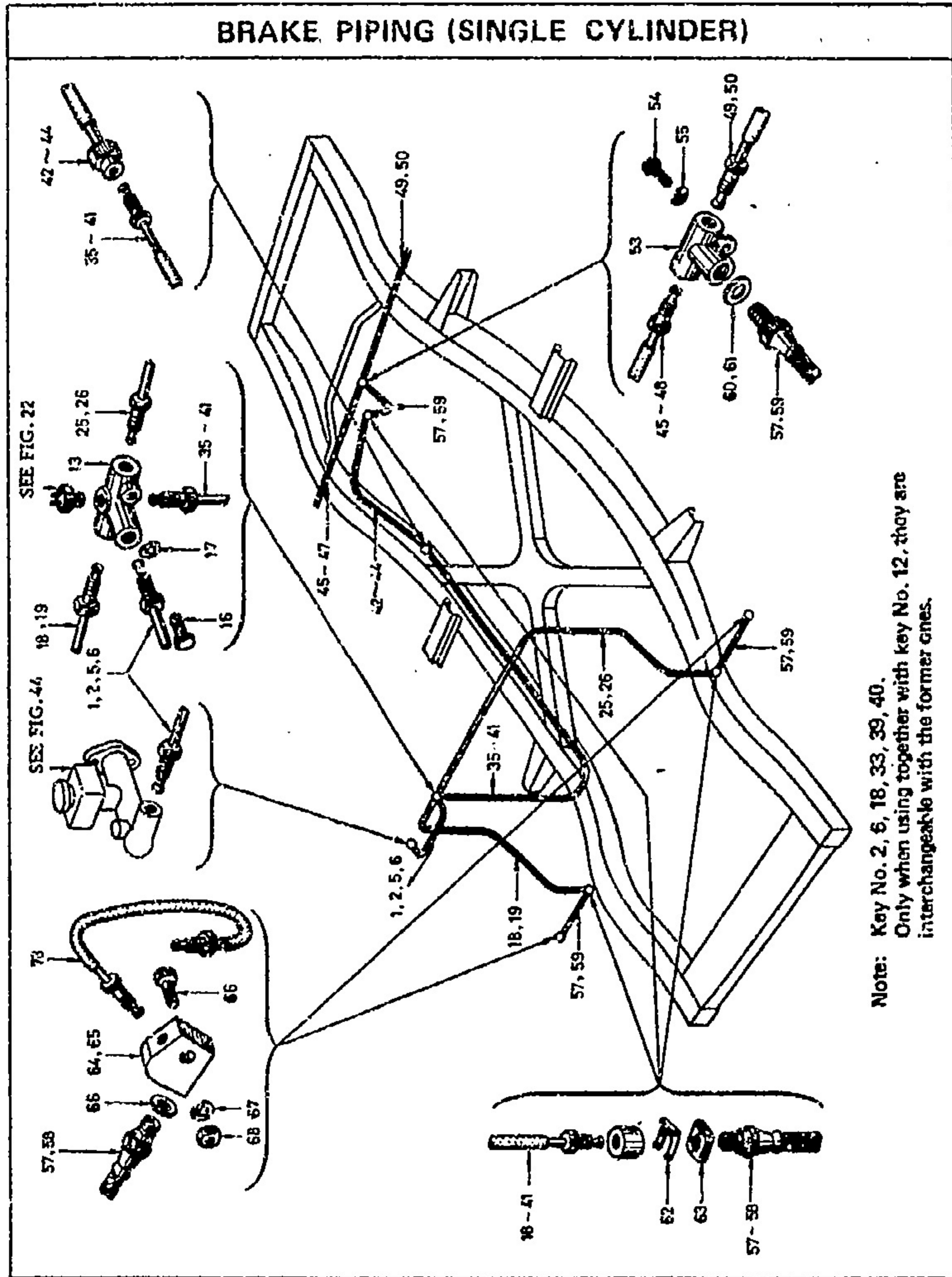
S	KEY NO.	PART NO.	PART NAME	QTY	SALES UNIT	MODEL	ICA
	34	30650-25600	ASSY-TUBE, CLUTCH MASTER CYLINDER TO CLUTCH HOSE (FROM E/P R-40801)	1	1 SPL, SRL		
	35	30650-26000	TUBE-M/C TO CLUTCH HOSE (FROM E/P R-40801)	1	1 SPL, SRL		H
	36	30650-43800	TUBE-M/C TO CLUTCH HOSE	1	1 SPL, SRL		C
	37	30650-14600	ASSY-TUBE, CLUTCH MASTER CYLINDER TO CLUTCH HOSE	1	1 SP		
	38	30650-25300	ASSY-TUBE, CLUTCH MASTER CYLINDER TO CLUTCH HOSE (FROM E/P R-40801)	1	1 SP, SR		
	39	30650-25900	TUBE-M/C TO CLUTCH HOSE (FROM E/P R-40801)	1	1 SP, SR		H
	40	46212-30800	ASSY-HOSE, CLUTCH	1	2 ALL		
	41	46237-30000	GASKET-CLUTCH HOSE TO OPERATING CYLINDER	1	10 ALL		
	42	46237-70800	GASKET-CLUTCH HOSE TO OPERATING CYLINDER	1	10 ALL		Y
	43	00916-11610	WASHER-LOCK, INTERNAL TIGHT	1	20 ALL		
	44	00911-34610	NUT	1	50 ALL		
	45	30620-08025	KIT-A CLUTCH OPERATING REPAIR	1	1 ALL		
	46	30620-15826	KIT-B CLUTCH OPERATING REPAIR	1	1 ALL		
	47	30620-25925	KIT-A REPAIR CLUTCH OPERATING (HABCO) (FROM SEE FIG)	1	1 ALL		
	48	30620-25526	KIT-B REPAIR CLUTCH OPERATING (HABCO) (FROM SEE FIG)	1	1 ALL		
	49	30620-25527	KIT-A REPAIR CLUTCH OPERATING (TOKICO) (FROM SEE FIG)	1	1 ALL		

NISSAN MOTOR CO., LTD.

FIG. 46

S	KEY NO.	PART NO.	PART NAME	QTY	SALES UNIT	MODEL	ICA
	50	30620-25528	KIT-B REPAIR CLUTCH OPERATING (TOKICO) (FROM SEE FIG)	1	1 ALL		

FIG. 47-1 G2 NISSAN MOTOR CO., LTD.



NISSAN MOTOR CO., LTD.

FIG. 47-2

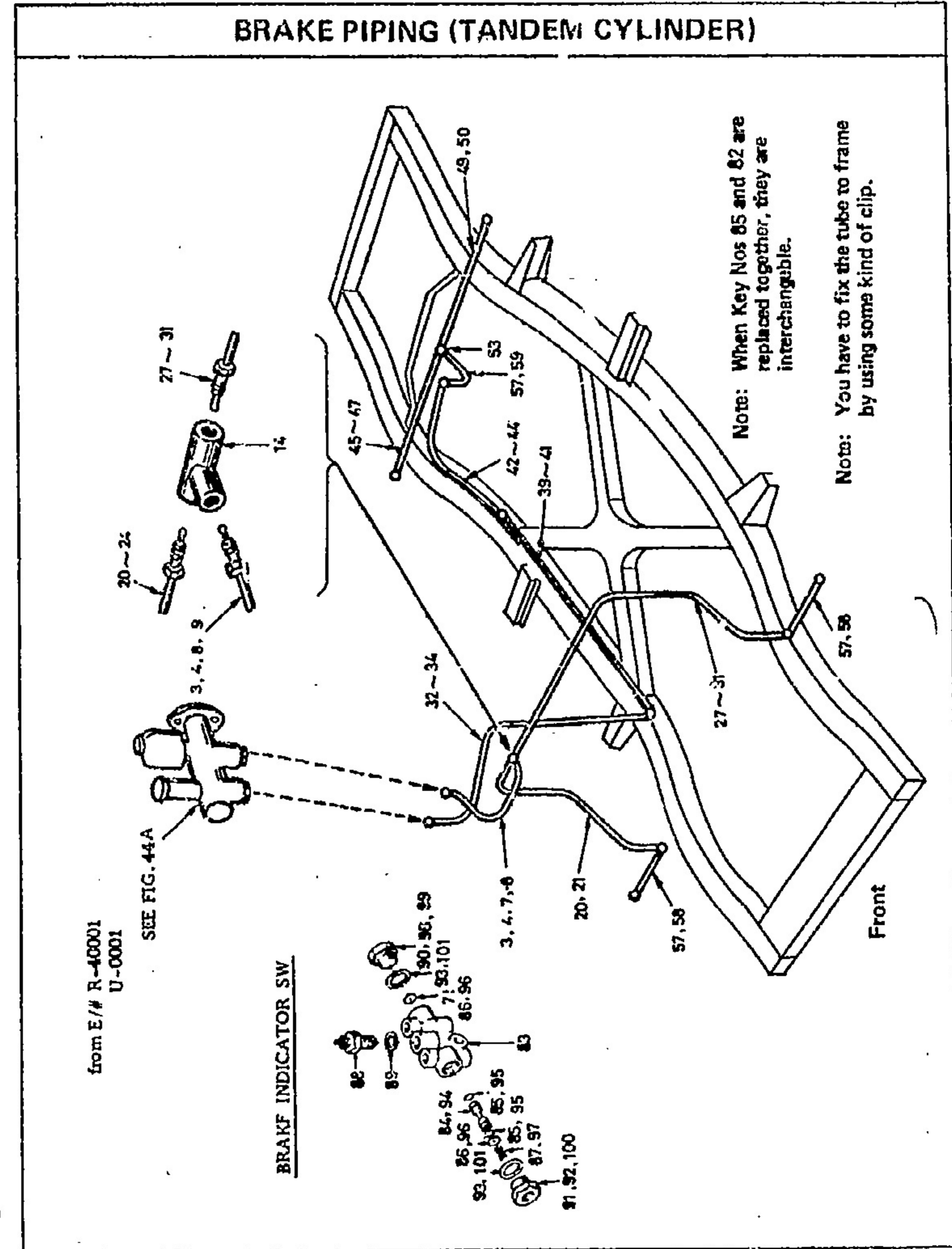


FIG. 47 G3 NISSAN MOTOR CO., LTD.

S	KEY NO.	PART NO.	PART NAME	QTY	SALES UNIT	MODEL	ICA
			BRAKE PIPING				
1		46223-14600	ASSY-TUBE, BRAKE MASTER CYLINDER TO 5-WAY CONNECTOR	1	1 SP		
2		46223-14601	ASSY-TUBE, BRAKE MASTER CYLINDER TO 5-WAY CONNECTOR	1	5 SP		C
3		46223-25500	TUBE-MASTER CYL TO 5-WAY CON (FROM E/R R-40001)	1	5 SP, SR		N
4		46223-25901	TUBE-MASTER CYL TO 5-WAY CONNECTOR FR (FROM OCT-67)	1	5 R DRIVE		N
5		46223-14700	ASSY-TUBE, BRAKE MASTER CYLINDER TO 5-WAY CONNECTOR	1	10 SPL		
6		46223-14701	ASSY-TUBE, BRAKE MASTER CYLINDER TO 5-WAY CONNECTOR	1	1 SPL		C
7		46223-14700	ASSY-TUBE, BRAKE MASTER CYLINDER TO 5-WAY CONNECTOR	1	5 SPL		Y
8		46223-25600	TUBE-MASTER CYL TO 5-WAY CON (FROM E/R R-40001)	1	1 SPL, SRL		N
9		46223-26001	TUBE-MASTER CYL TO 5-WAY CONNECTOR FR (FROM OCT-67)	1	1 L DRIVE		N
10		46223-A3300	TUBE-MASTER CYL TO 5-WAY CONNECTOR FR (FROM OCT-67)	1	5 L DRIVE		Y
11		46223-A7800	TUBE-MASTER CYL TO 5-WAY CONNECTOR FR (FROM JULY-69)	1	5 L DRIVE		N

47- 1

Printed in Japan

REVISED: JUNE, 1972

NISSAN MOTOR CO., LTD.

FIG. 47

S	KEY NO.	PART NO.	PART NAME	QTY	SALES UNIT	MODEL	ICA
12		46234-04100	CONNECTOR-5-WAY, BRAKE TUBE	1	5 1.6L		
13		46234-10600	CONNECTOR-5-WAY, BRAKE TUBE (TO E/R R-40000)	1	5 1.6L		Y
14		46215-30500	CONNECTOR-5-WAY, BRAKE TUBE (FROM E/R R-40001)	1	5 ALL		N
15		46215-46501	CONNECTOR 5-WAY, BRAKE TUBE (FROM E/R R-40001)	1	5 ALL		Y
16		00114-43010	BOLT TO ATTACH 5-WAY CONNECTOR	1	25 ALL		
17		00915-11410	WASHER-LOCK TO ATTACH 5-WAY CONNECTOR	1	50 ALL		
18		46240-14600	ASSY-TUBE, 5-WAY CONNECTOR TO FRONT BRAKE HOSE E, R, H.	1	5 1.6L		
19		46240-14601	ASSY-TUBE, 5-WAY CONNECTOR TO FRONT BRAKE HOSE E, R, H.	1	5 1.6L		C
20		46240-25500	TUBE 5-WAY CON TO FR BRAKE HOSE RH (FROM E/R R-40001)	1	5 ALL		N
21		46240-25901	TUBE-CONNECTOR TO FRONT BRAKE RH (FROM OCT-67)	1	5 R DRIVE		N
22		46240-A3200	TUBE-CONNECTOR TO FRONT BRAKE RH (FROM JULY-69)	1	5 R DRIVE		N
23		46240-26000	TUBE-CONNECTOR TO FRONT BRAKE RH (FROM OCT-67)	1	5 L DRIVE		N
24		46240-A3300	TUBE-CONNECTOR TO FRONT BRAKE RH (FROM JULY-69)	1	5 L DRIVE		N
25		46242-14700	ASSY-TUBE, 5-WAY CONNECTOR TO FRONT BRAKE HOSE E, L, H.	1	1 1.6L		

47- 2

Printed in Japan

REVISED: JUNE, 1972

FIG. 47 G4 NISSAN MOTOR CO., LTD.

S	KEY NO.	PART NO.	PART NAME	QTY	SALES UNIT	MODEL	ICA
	26	46242-14701	ASSY-TUBE, 5-WAY CONNECTOR TO FRONT BRAKE HOSE E, L, H,	1	1	1.6L	C
	27	46242-25500	TUBE-CONNECTOR TO FRONT BRAKE LH (FROM E/S R-40001)	1	1	ALL	N
	28	46242-25901	TUBE-CONNECTOR TO FRONT BRAKE LH (FROM OCT-67)	1	2	R DRIVE	N
	29	46242-A3200	TUBE-CONNECTOR TO FRONT BRAKE LH (FROM JULY-69)	1	2	R DRIVE	N
	30	46242-26000	TUBE-CONNECTOR TO FRONT BRAKE LH (FROM OCT-67)	1	2	L DRIVE	N
	31	46242-A3300	TUBE-CONNECTOR TO FRONT BRAKE LH (FROM JULY-69)	1	2	L DRIVE	N
	32	46225-25901	TUBE-MASTER CYL TO 3-WAY CONNECTOR RR (FROM OCT-67)	1	1	R DRIVE	N
	33	46225-26001	TUBE-MASTER CYL TO 3-WAY CONNECTOR RR (FROM OCT-67)	1	1	L DRIVE	N
	34	46224-A3300	TUBE-MASTER CYL TO 3-WAY CONNECTOR RR (FROM JULY-69)	1	2	L DRIVE	N
	35	46229-12900	ASSY-TUBE, 5-WAY CONNECTOR TO CENTER CONNECTION	1	1	1.6L	C
	36	46229-14600	ASSY-TUBE, 5-WAY CONNECTOR TO CENTER CONNECTION	1	1	1.6L	C
	37	46229-25500	TUBE TO CENTER (FROM E/S R-40001)	1	2	R DRIVE	N
	38	46229-25900	TUBE TO CENTER (FROM OCT-67)	1	1	R DRIVE	N

REVISED: JUNE, 1972

47 - 3

Printed in Japan

NISSAN MOTOR CO., LTD.

FIG. 47

S	KEY NO.	PART NO.	PART NAME	QTY	SALES UNIT	MODEL	ICA
	39	46229-25601	TUBE-CENTER CON FR (FROM E/S R-40001 TO SEP-67)	1	1	SPL SRL	N
	40	46229-26000	TUBE-CENTER CONNECTOR FRONT (FROM OCT-67)	1	2	L DRIVE	N
	41	46229-A3300	TUBE CENTER CONNECTOR FRONT (FROM JULY-69)	1	2	L DRIVE	N
	42	46225-14600	ASSY-TUBE, CENTER CONNECTION TO REAR BRAKE HOSE	1	2	1.6L	C
	43	46225-14601	ASSY-TUBE, CENTER CONNECTION TO REAR BRAKE HOSE	1	2	ALL	C
	44	46227-25900	ASSY-TUBE, CENTER CONNECTION TO REAR BRAKE HOSE	1	2	ALL	C
	45	46290-14601	ASSY-TUBE, 3-WAY CONNECTOR TO REAR WHEEL CYLINDER, R, H.	1	2	1.6L	Y
	46	46290-14602	ASSY-TUBE, 3-WAY CONNECTOR TO REAR WHEEL CYLINDER, R, H.	1	2	1.6L	Y
	47	46290-25500	ASSY-TUBE, 3-WAY CONNECTOR TO REAR WHEEL CYLINDER, R, H. (FROM E/S R-40001)	1	1	ALL	C
	48	46290-A7400	ASSY-TUBE BRAKE REAR RH	1	2	ALL	Y
	49	46310-14601	ASSY-TUBE, 3-WAY CONNECTOR TO REAR WHEEL CYLINDER, L, H.	1	2	1.6L	Y
	50	46310-14602	ASSY-TUBE, 3-WAY CONNECTOR TO REAR WHEEL CYLINDER, L, H. (FROM E/S R-40001)	1	2	ALL	Y
	51	46310-A7400	ASSY-TUBE BRAKE REAR LH	1	2	ALL	Y

REVISED: JUNE, 1972

47 - 4

Printed in Japan

FIG. 47 G5 NISSAN MOTOR CO., LTD.

S	KEY NO.	PART NO.	PART NAME	QTY	SALES UNIT	MODEL	ICA
	52	46357-35000	CONNECTOR-BRAKE TUBE 3-WAY	1		1.6L	
	53	46357-35001	CONNECTOR-BRAKE TUBE 3-WAY	1	2	ALL	Y
	54	00111-51610	BOLT	1	50	ALL	
	55	00915-11510	WASHER-LOCK	1	50	ALL	
	56	46201-10600	ASSY-HOSE, HYDRAULIC BRAKE	3	2	ALL	
	57	46201-25900	ASSY-HOSE, HYDRAULIC BRAKE FRONT & REAR	3	2	ALL	Y
	58	46201-A3200	ASSY-HOSE, HYDRAULIC BRAKE FRONT	2	2	ALL	Y
	59	46201-A3201	ASSY-HOSE, HYDRAULIC BRAKE REAR	1	2	ALL	
	60	46237-30800	GASKET-3-WAY CONNECTION & BRAKE HOSE TO CYLINDER	3	10	ALL	
	61	46237-F0800	GASKET-3-WAY CONNECTION & BRAKE HOSE TO CYLINDER	3	10	ALL	Y
	62	46206-61000	SPRING-LOCK, BRAKE HOSE	3	5	ALL	
	63	46205-61000	PLATE-LOCK, BRAKE HOSE	3	10	ALL	
	64	41130-41001	CONNECTOR-FRONT BRAKE HOSE TO TUBE	2	1	ALL	
	65	41130-E0101	CONNECTOR-FRONT BRAKE HOSE TO TUBE (FROM JULY-69)	2	1	ALL	N
	66	00111-52510	BOLT TO FIX CONNECTOR	2	50	ALL	
	67	00915-21510	WASHER-LOCK TO FIX CONNECTOR	2	50	ALL	
	68	00911-11510	NUT TO FIX CONNECTOR	2	50	ALL	
	69	41029-14600	ASSY-TUBE, FRONT BRAKE, R.H.	1		ALL	

NISSAN MOTOR CO., LTD.

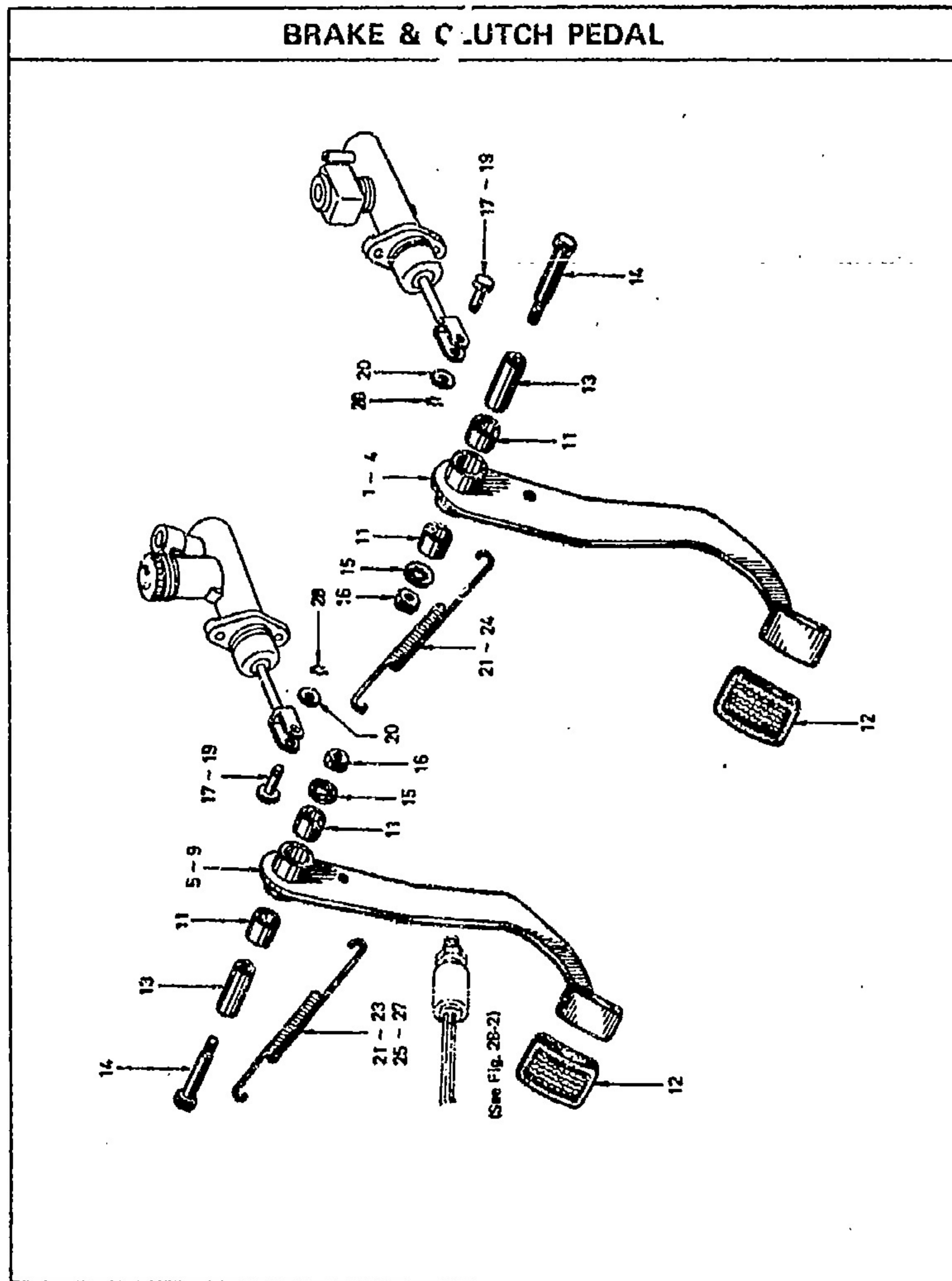
FIG. 47

S	KEY NO.	PART NO.	PART NAME	QTY	SALES UNIT	MODEL	ICA
	70	41140-14600	ASSY-TUBE, FRONT BRAKE, RH	1	1	ALL	Y
	71	41140-A3200	ASSY-TUBE, FRONT BRAKE, RH (FROM JULY-69)	1	5	ALL	N
	72	41140-A3201	ASSY-TUBE, FRONT BRAKE RH	1		ALL	Y
	73	41140-A7400	ASSY-TUBE, FRONT BRAKE, RH (NOT FOR SALE)	1		ALL	Y
	74	41140-A3200	ASSY-TUBE, FRONT BRAKE RH	1	5	ALL	C
	75	41140-A3201	ASSY-TUBE, FRONT BRAKE RH	1		ALL	Y
	76	41030-14600	ASSY-TUBE, FRONT BRAKE, L.H.	1		ALL	
	77	41141-14600	ASSY-TUBE, FRONT BRAKE LH	1	5	ALL	Y
	78	41141-A3200	ASSY-TUBE, FRONT BRAKE LH (FROM JULY-69)	1	1	ALL	N
	79	41141-A3201	ASSY-TUBE, FRONT BRAKE LH	1		ALL	Y
	80	41141-A7400	ASSY-TUBE, FRONT BRAKE LH (NOT FOR SALE)	1		ALL	Y
	81	41141-A3200	ASSY-TUBE, FRONT BRAKE LH	1	1	ALL	C
	82	41141-A3201	ASSY-TUBE, FRONT BRAKE LH	1		ALL	Y
	83	46100-26001	SWITCH-BRAKE INDICATOR (TOKICO) (FROM OCT-67)	1	1	ALL	
	84	46136-26110	PISTON (TOKICO)	1	10	ALL	
	85	46137-26110	RING-O (TOKICO)	2	10	ALL	
	86	46138-26110	PLATE (TOKICO)	2	10	ALL	
	87	46139-26110	SPRING (TOKICO)	2	10	ALL	
	88	46140-26110	TERMINAL (TOKICO)	1	5	ALL	

FIG. 47 G6 NISSAN MOTOR CO., LTD.

S	KEY NO.	PART NO.	PART NAME	QTY	SALES UNIT	MODEL	ICA
	80	41131-85060	PACKING(TOKICO)	1	10	ALL	
	90	46141-26110	PLUG-CYLINDER (TOKICO)	1	10	ALL	
	91	46142-26111	PLUG-CYLINDER (TOKICO)	1	10	ALL	
	92	46142-26110	PLUG-CYLINDER (TOKICO)	1	10	ALL	Y
	93	46143-26110	PACKING (TOKICO)	2	10	ALL	
	94	46136-26100	PISTON(NABCO)(FROM OCT-67)	1	10	ALL	
	95	46137-26100	RING-D(NABCO)(FROM OCT-67)	2	10	ALL	
	96	46138-26100	PLATE(NABCO)(FROM OCT-67)	2	10	ALL	
	97	46139-26100	SPRING(NABCO)(FROM OCT-67)	2	10	ALL	
	98	46146-26000	PLUG-CYLINDER*A*(NABCO)(FROM OCT-67)	1	10	ALL	
	99	46146-26001	PLUG-CYLINDER*A*(NABCO)	1	10	ALL	H
	100	46142-26100	PLUG-CYLINDER*B*(NABCO)(FROM OCT-67)	1	10	ALL	
	101	46143-26100	PACKING(NABCO)(FROM OCT-67)	2	10	ALL	
	102	46145-26100	TERMINAL(NABCO)(FROM OCT-67)	1	1	ALL	
	103	46227-26000	CLIP-DRAKE TUBE (FROM OCT-67)	1	10	ALL	
	104	46228-26000	RUBBER-CLIP (FROM OCT-67)	1	10	ALL	
	105	46228-A3300	RUBBER-CLIP	1	10	ALL	Y
	106	00310-00812	SCREW (FROM OCT-67)	1	50	ALL	
	107	00915-10810	WASHER (FROM OCT-67)	1	50	ALL	

FIG. 48. G7 NISSAN MOTOR CO., LTD.



F48 - 1

SEPTEMBER, 1969

Printed in Japan

NISSAN MOTOR CO., LTD.

FIG. 48

KEY NO.	PART NO.	PART NAME	QTY	SALES UNIT	MODEL	ICA
BRAKE & CLUTCH PEDAL						
2	44528-14600	ASSY-PEDAL, BRAKE	1	1	SP	
2	44528-25200	ASSY-PEDAL, BRAKE (FROM E/P N-40001)	1		SP, SR	N
3	44528-14701	ASSY-PEDAL, BRAKE	1	10	SPU	
4	44528-25600	ASSY-PEDAL, BRAKE (FROM E/P N-4001)	1		SPU, SRL	N
5	44548-14600	ASSY-PEDAL, CLUTCH	1	1	SP	
6	44548-25200	ASSY-PEDAL, CLUTCH (FROM E/P N-40001)	1	1	SP, SR	N
7	44548-14700	ASSY-PEDAL, CLUTCH (TO JUNE-69)	1	1	SPL, SRL	
8	44548-14700	ASSY-PEDAL, CLUTCH (FROM JULY-69)	1	1	L DRIVE EXC 1.6L EMISSION CONTROL	
9	44548-A7700	ASSY-PEDAL, CLUTCH (FROM JULY-69)	1	1	1.6L EMISSION CONTROL	
10	44513-25500	PLUG PEDAL STOP (FROM JULY-69)	1	10	1.6L EMISSION CONTROL	
11	44425-38000	BUSHING-PEDAL FULCRUM	4	10	ALL	
12	44431-04100	COVER-PEDAL PAD, BRAKE & CLUTCH	2	10	ALL	
13	44482-38000	SLEEVE-PEDAL SHAFT, BRAKE & CLUTCH	2	10	ALL	
14	44460-04100	PIN-FULCRUM, BRAKE & CLUTCH	2	2	ALL	
15	50916-11010	WASHER-LOCK, INTERNAL TIGHT	2	50	ALL	

REVISED: MARCH, 1972

48 - 1

Printed in Japan

FIG. 48 G8 NISSAN MOTOR CO., LTD.

S	KEY NO.	PART NO.	PART NAME	QTY	SALES UNIT	MODEL	ICA
	16	00911-31810	NUT	2	50	ALL	
	17	46123-06700	PIN-CLEVIS, BRAKE & CLUTCH MASTER CYLINDER	2		1.6L	
	18	46123-73002	PIN-CLEVIS, BRAKE & CLUTCH MASTER CYLINDER	2	10	1.6L	Y
	19	46123-25500	PIN-CLEVIS, BRAKE & CLUTCH MASTER CYLINDER (FROM E/F R-40601)	2	10	ALL	N
	20	00915-41510	WASHER-PLAIN	2	50	ALL	
	21	46485-12900	SPRING-RETURN, BRAKE & CLUTCH PEDAL	2		1.6L	
	22	46485-12901	SPRING-RETURN, BRAKE & CLUTCH PEDAL	2		1.6L	Y
	23	46485-26800	SPRING-RETURN, BRAKE & CLUTCH PEDAL	2	5	1.6L	Y
	24	46485-25500	SPRING-RETURN, BRAKE (FROM E/F R-40001)	1	10	SPL, SRL	N
	25	46485-25900	SPRING-RETURN, CLUTCH	1	5	SP, SRL	Y
	26	46485-25901	SPRING-RETURN, CLUTCH (FROM E/F R-40801)	1	10	SPL, SRL	N
	27	46487-25900	SPRING-RETURN, CLUTCH	1	5	SPL, SRL	Y
	28	45124-35100	RETAINER-SPRING	2	20	ALL	

Install the best!
GENUINE DATSUN PARTS



Engineering Department Parts Division



NISSAN MOTOR CO., LTD.



Tokyo, Japan