

D1

ENGINE



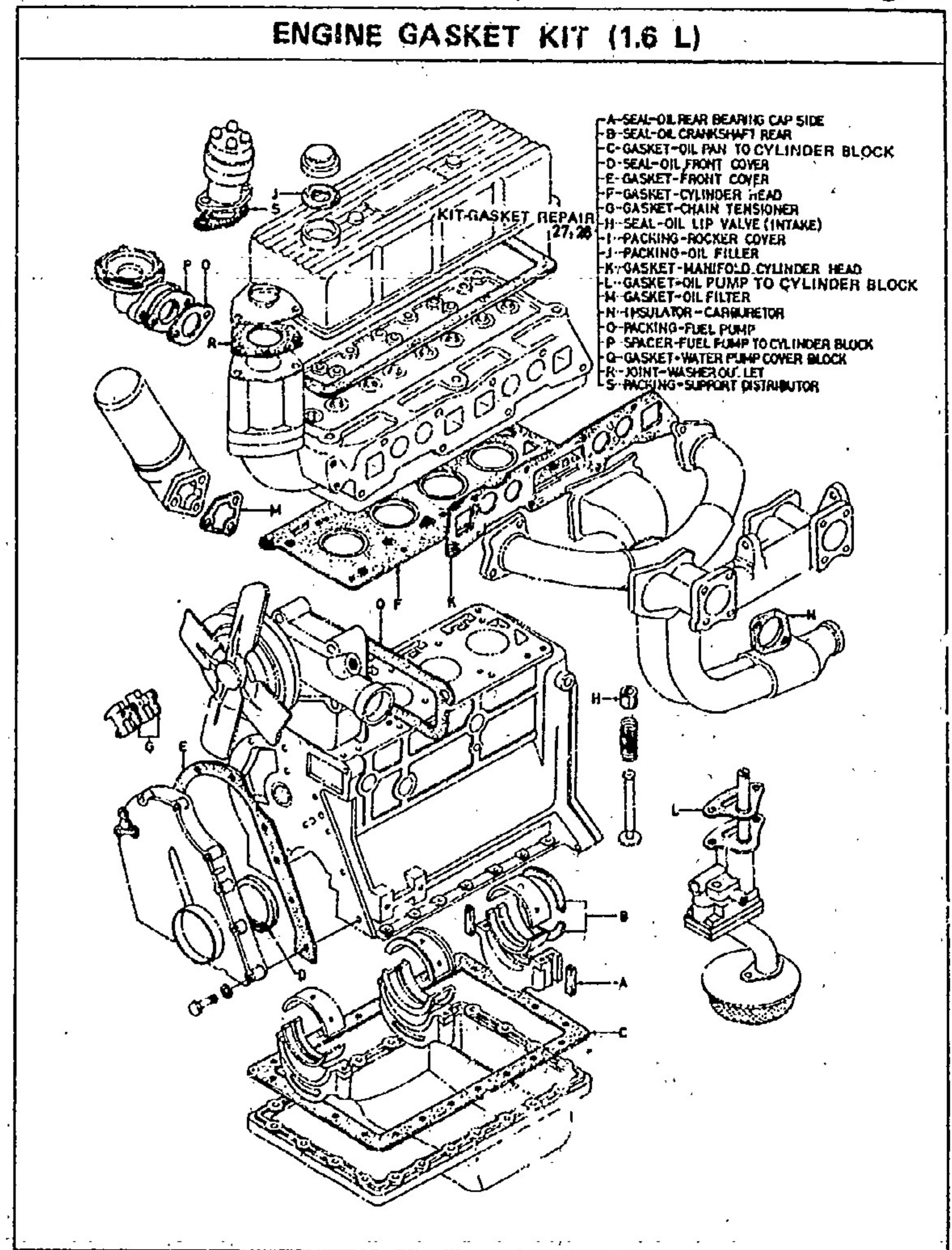
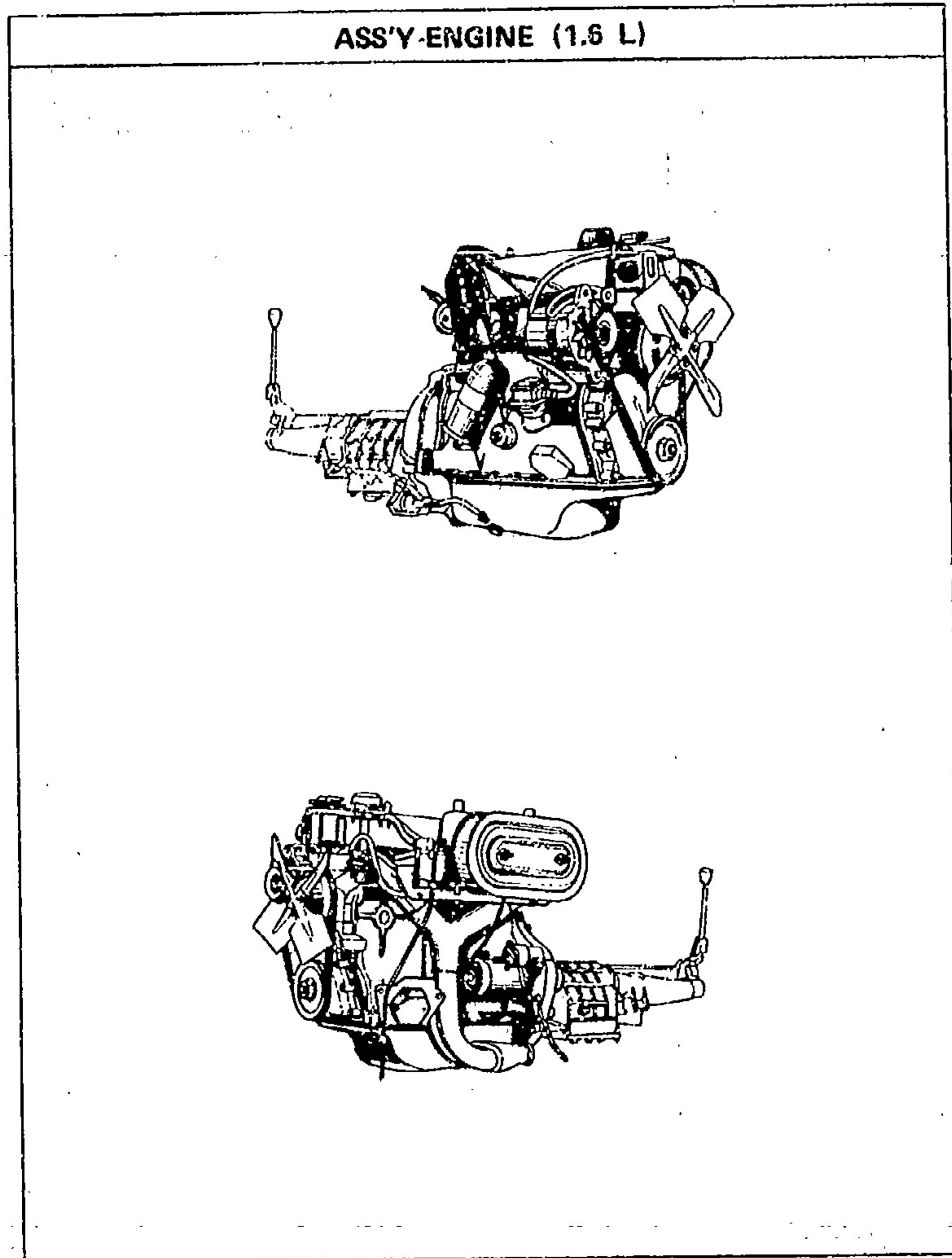
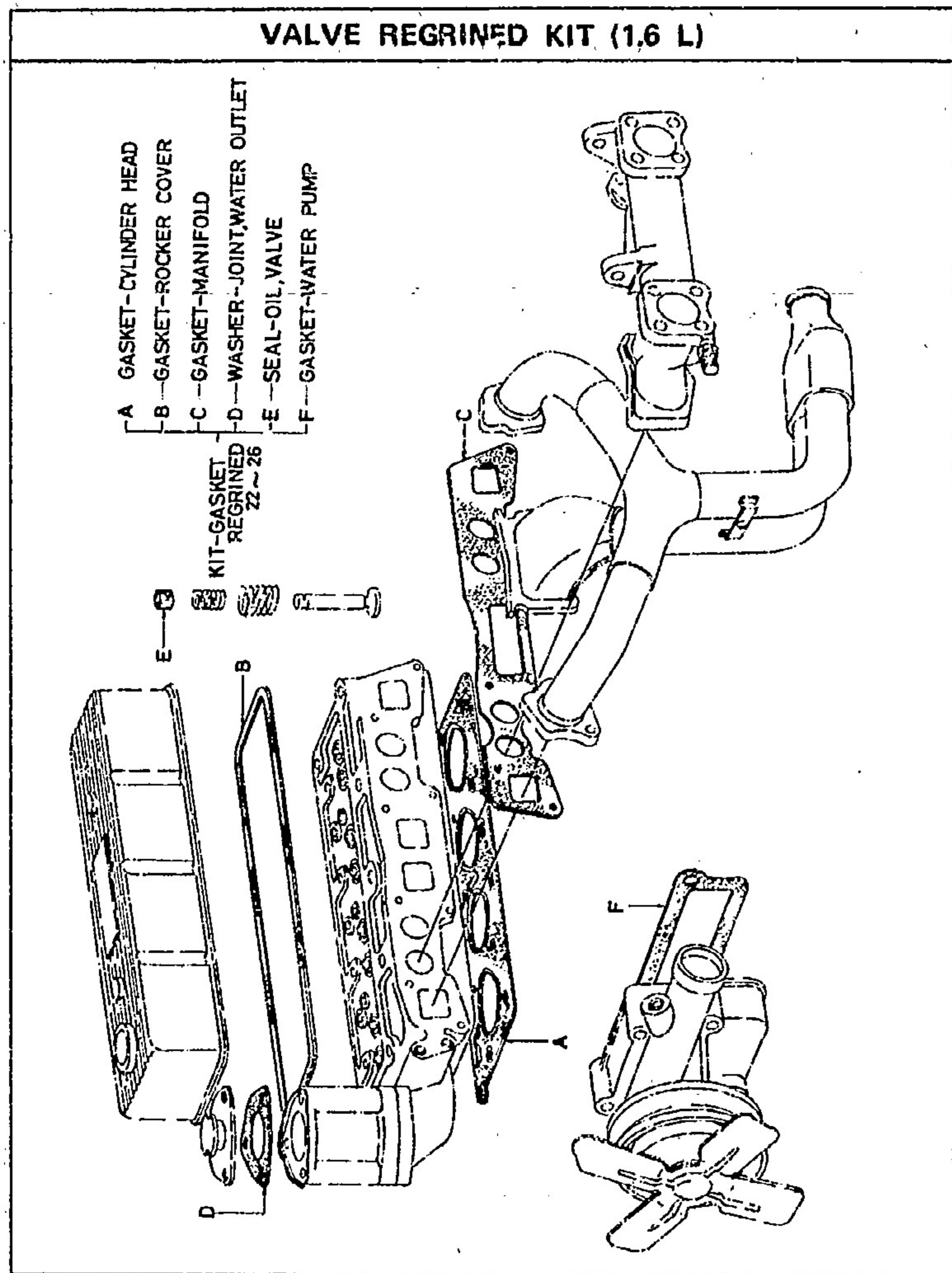




FIG. O-3 D3 NISSAN MOTOR CO., LTD.



MARCH, 1970

F0-3

Printed in Japan

NISSAN MOTOR CO., LTD.

FIG. O

S	KEY NO.	PART NO.	PART NAME	QTY	SALES UNIT	MODEL	ICA
			<b>ENGINE &amp; GASKET KIT (1.6L)</b>				
	1	10001-14651	ASSY-ENGINE WITH CLUTCH, IRON HEAD, SHOG. DEVICE	1		SPL (USA ONLY)	
	2	10001-14753	ASSY-ENGINE W/CLUTCH, SHOG DEVICE (FROM E/N R-10606)	1		SPL (USA ONLY)	Y
	3	10001-14752	ENGINE W/CLUTCH AL HEAD (FROM E/N R-23723 TO R-40000)	1		SPL (U.S.A. ONLY)	Y
	4	10001-14750	ASSY-ENGINE WITH CLUTCH, IRON HEAD	1		SPL (EXC. U.S.A.)	
	5	10001-14751	ASSY-ENGINE W/CLUTCH, AL HEAD (FROM E/N R-10606)	1		SPL (EXC. USA)	Y
	6	10001-14752	ENGINE W/CLUTCH AL HEAD (FROM E/N R-23723 TO R-40000)	1		SPL (EXC. U.S.A.)	Y
	7	10001-14740	ENGINE W/CLUTCH (FROM E/N R-40001) 5-BEARING	1		1.6L L DRIVE	U
	8	10001-14742	ENGINE W/CLUTCH (FROM E/N R-40001) 5-BEARING	1		1.6L L DRIVE EXC EXHAUST & EVAP	Y
	9	10001-14743	ENGINE W/CLUTCH (FROM OCT-67) SHOG DEVICE NO LONGER SALE	1		1.6L EXHAUST	
	10	10001-A7750	ENGINE W/CLUTCH (FROM JUL-69)	1		1.6L EXHAUST	N
	11	10001-A7740	ASSY-ENGINE W/CLUTCH (FROM JUL-69)	1		1.6L EVAP	N
	12	10001-14650	ASSY-ENGINE WITH CLUTCH, IRON HEAD	1		1.6L R DRIVE	

REVISED: DEC 1971

1

Printed in Japan



FIG. O D4 NISSAN MOTOR CO., LTD.

S	KEY NO.	PART NO.	PART NAME	QTY	SALES UNIT	MODEL	ICA
*	13	10001-14652	ASSY-ENGINE WITH CLUTCH, ALUMINUM HEAD (FROM E/# R-20606)	1		1.6L R DRIVE	Y
*	14	10001-14632	ASSY-ENGINE WITH CLUTCH, ALUMINUM HEAD, ANTI-AIR POLLUTION (FROM E/# R-23723)	1	1	1.6L R DRIVE	Y
*	15	10001-14641	ASSY-ENGINE WITH CLUTCH, ANTI-AIR POLLUTION (FROM E/# R-40001)	1	1	SP	N
	16	10001-14643	ASSY-ENGINE W/CLUTCH ANTI-AIR POLLUTION (FROM R-40001)	1	1	SP	Y
	17	10102-14600	ASSY-ENGINE, BARE (TO E/# R-40000)	1	1	1.6L	
	18	10102-14601	ASSY-ENGINE, BARE (FROM E/# R-40001)	1	1	1.6L	N
*	19	10103-14700	ASSY-ENGINE, SHORT (TO E/# R-40000)	1	1	1.6L	
	20	10103-14701	ASSY-ENGINE, SHORT (FROM E/# R-40001)	1	1	1.6L	N
*	21	10101-12225	KIT-GASKETS, ENGINE REPAIR	1		1.6L	
*	22	10101-12226	KIT-GASKETS, ENGINE REPAIR (TO E/# R-2659)	1	1	1.6L	Y
	23	10101-12227	KIT-GASKETS, ENGINE REPAIR (TO E/# R-2659)	1	1	1.6L	Y
	24	10101-14625	KIT-GASKETS, ENGINE REPAIR (FROM E/# R-02660 TO R-40000)	1	1	1.6L	N
*	25	10101-18825	KIT-GASKETS, ENGINE REPAIR (FROM E/# R-40001)	1	1	1.6L	N
	26	10101-E0728	KIT-GASKET, ENG. REPAIR (FROM E/# R-40001)	1	1	1.6L	Y
	27	11042-14625	KIT-GASKETS VALVE REGRIND (TO E/# R-40000)	1	1	1.6L	

- - 2

Printed in Japan

REVISED: DECEMBER, 1971

NISSAN MOTOR CO., LTD.

FIG. O

S	KEY NO.	PART NO.	PART NAME	QTY	SALES UNIT	MODEL	ICA
	27	11042-18825	KIT-GASKETS VALVE REGRIND (FROM E/# R-40001)	1	1	1.6L	N

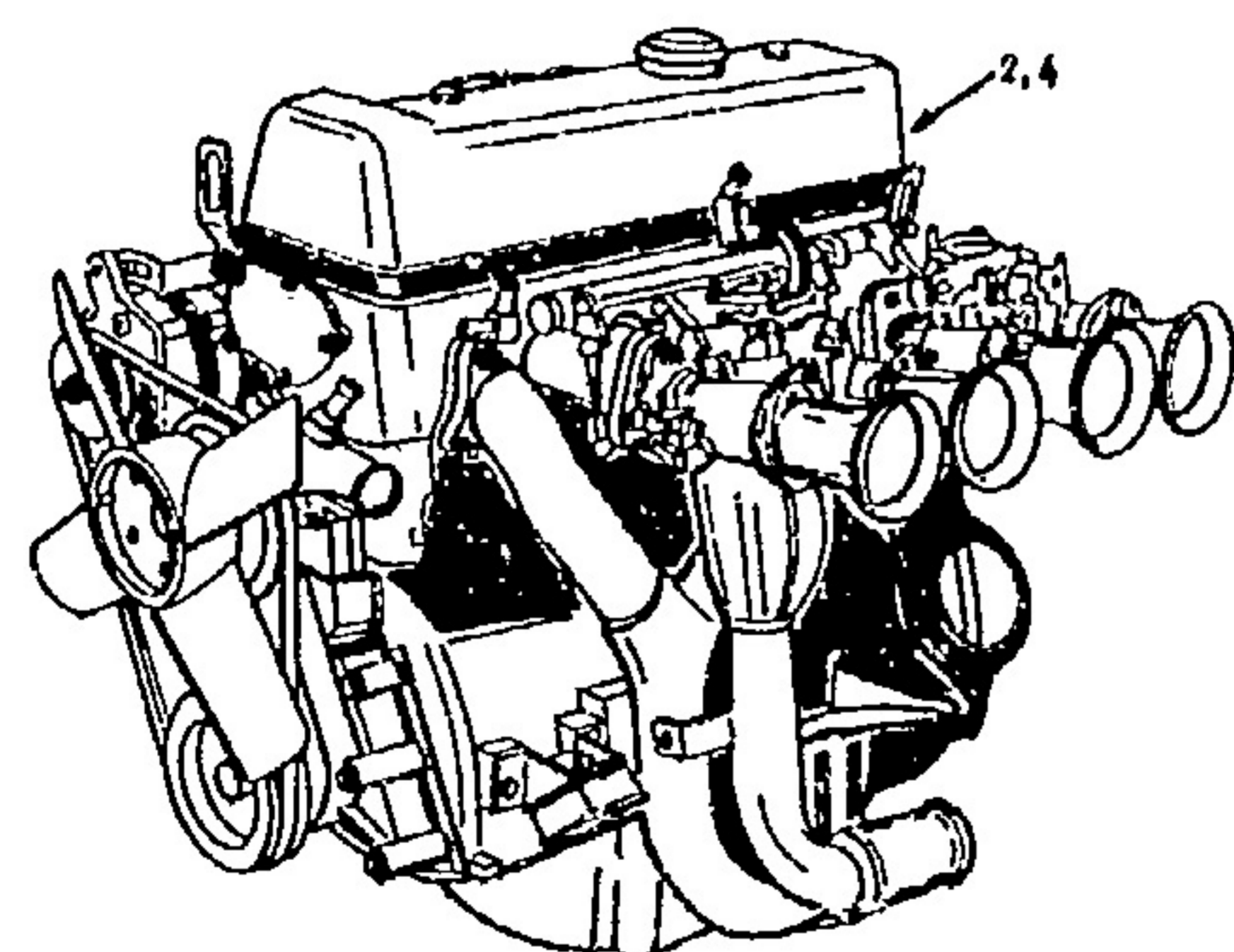
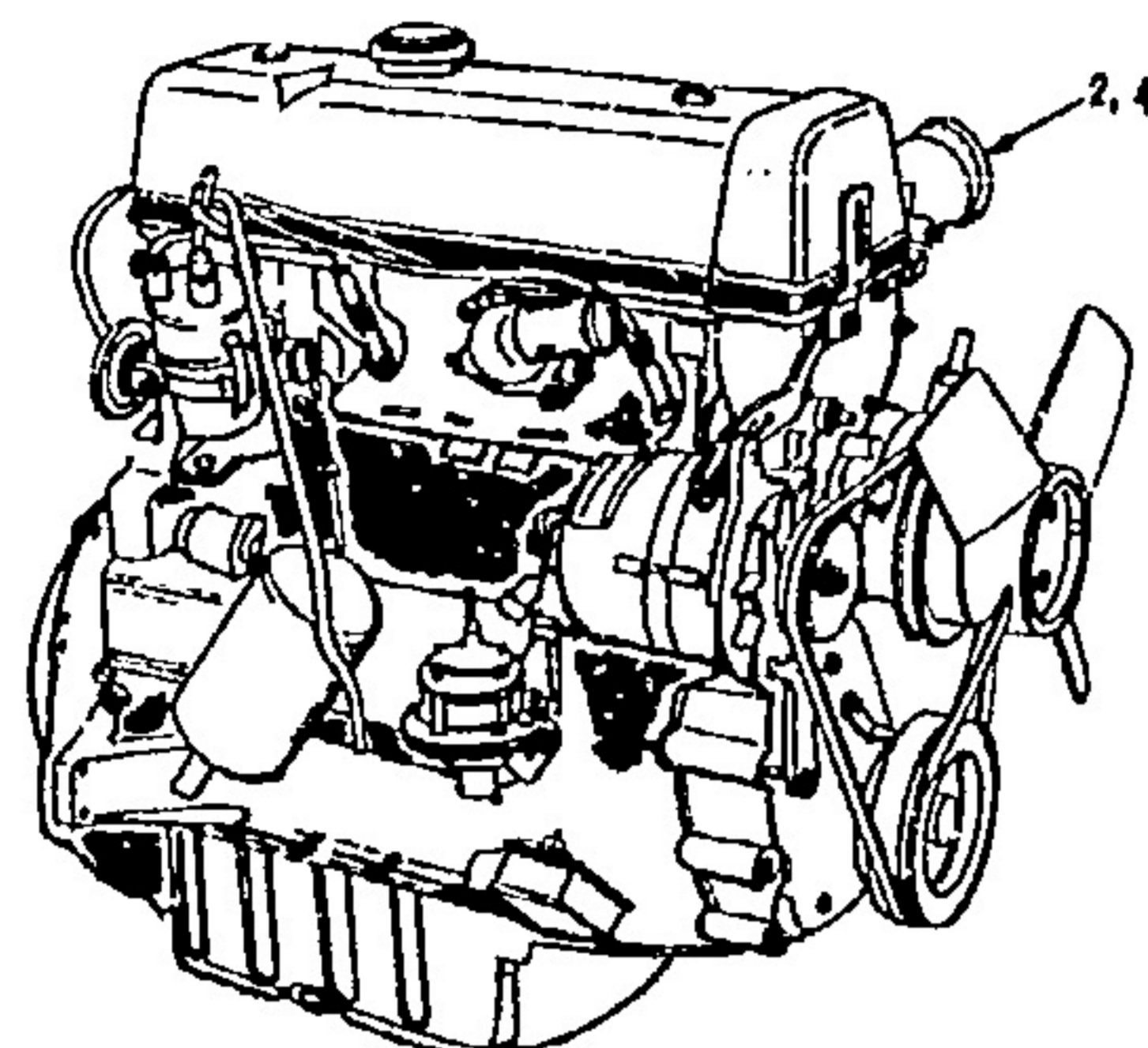
- - 3

Printed in Japan

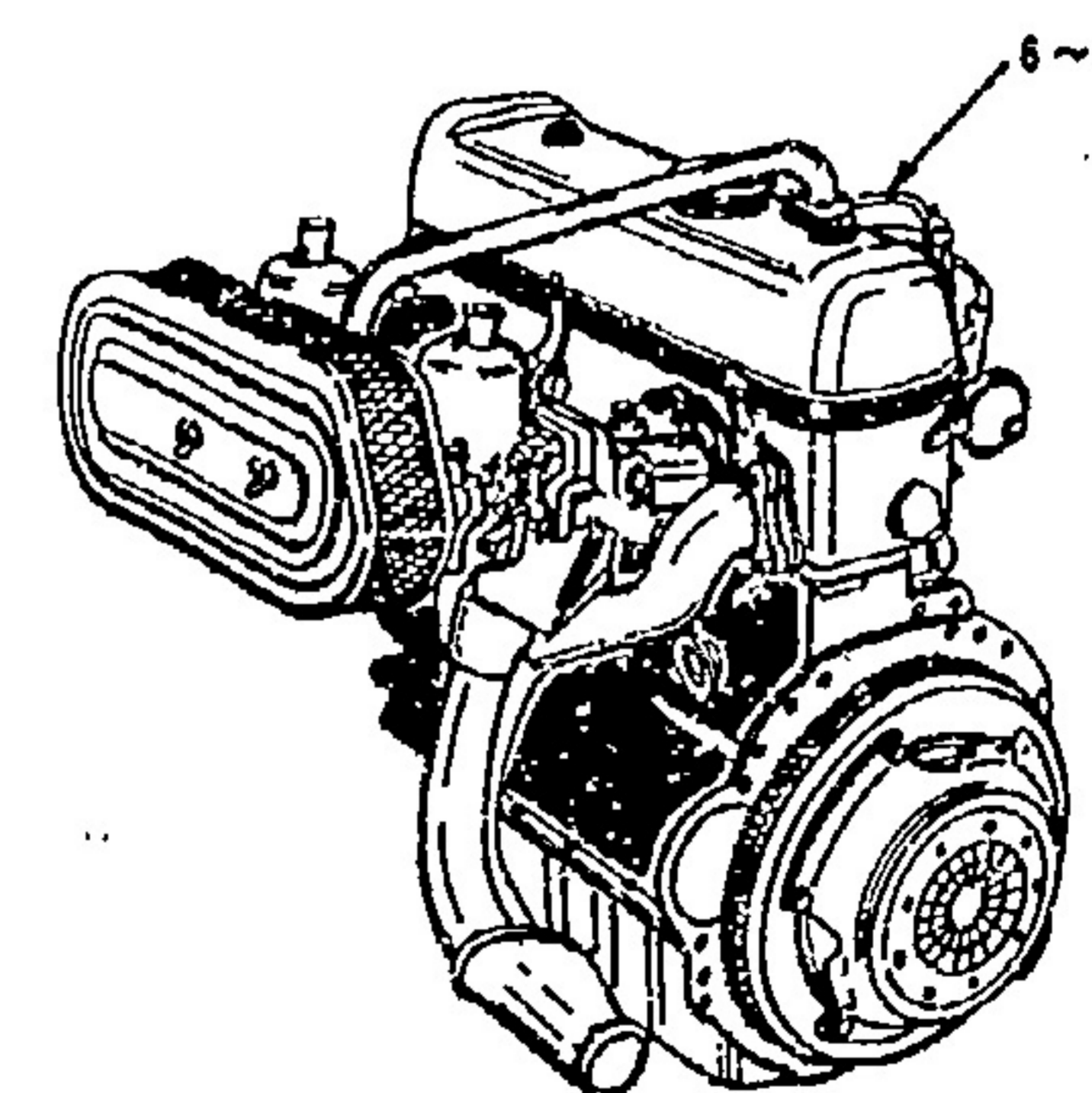
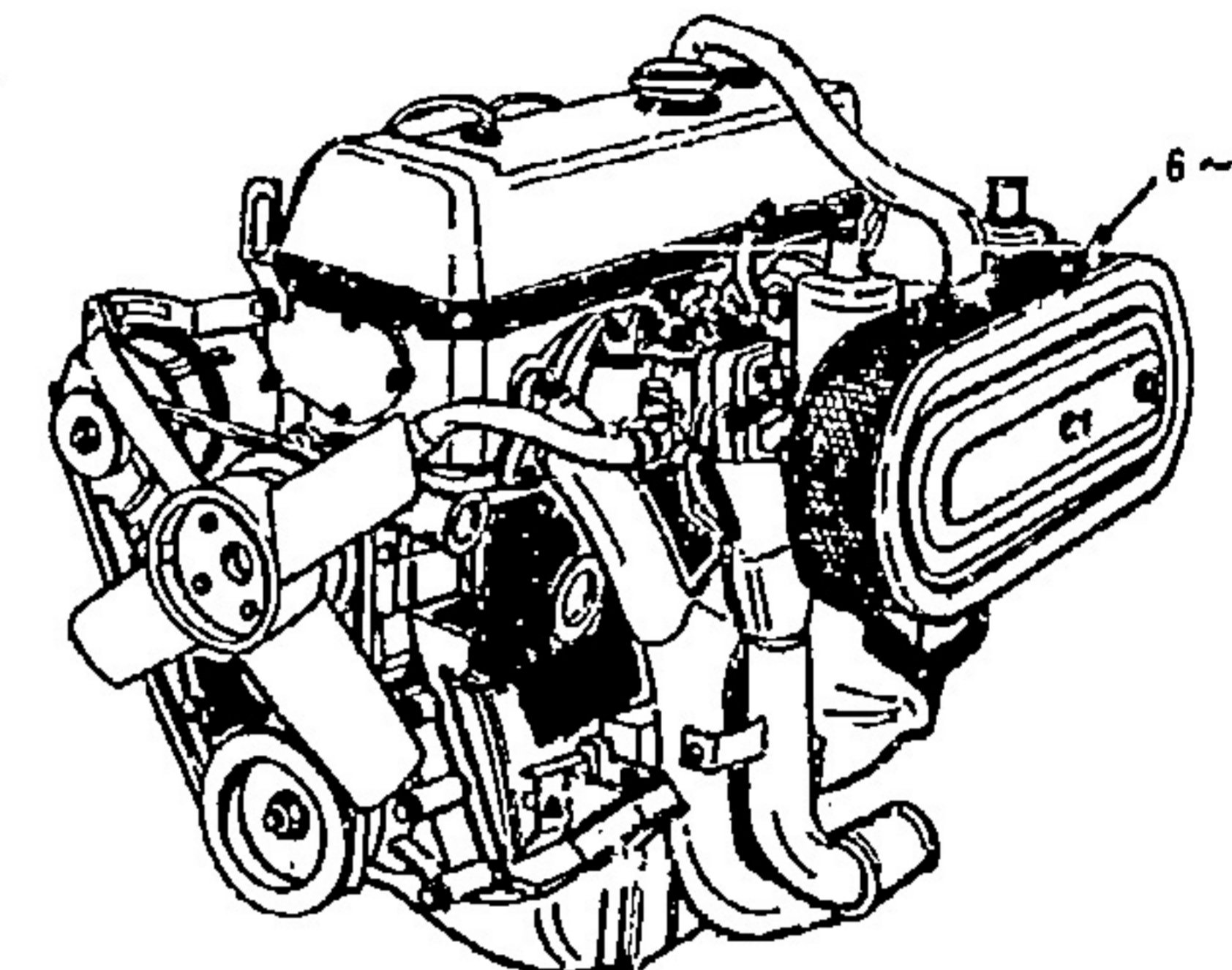
REVISED: DECEMBER, 1971



ASS'Y ENGINE WITH SOLEX CARBURETOR (2 L)



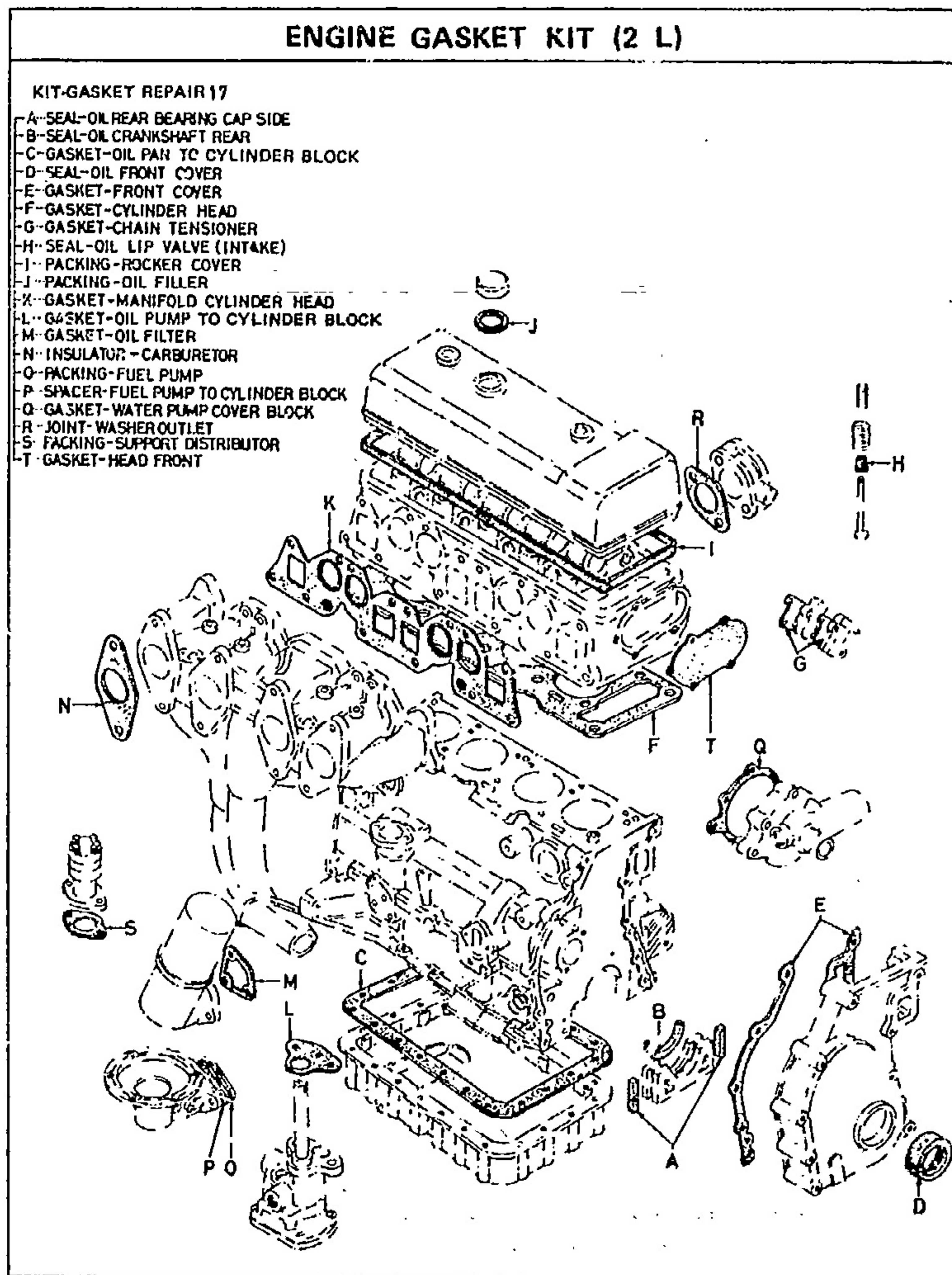
ASS'Y ENGINE WITH SU CARBURETOR (2 L)



Note: When Key No. 2, 4, 6, or 8 and 20010-25950 front exhaust tube are replaced together, they are interchangeable.



FIG. 0A-3 D6 NISSAN MOTOR CO., LTD.



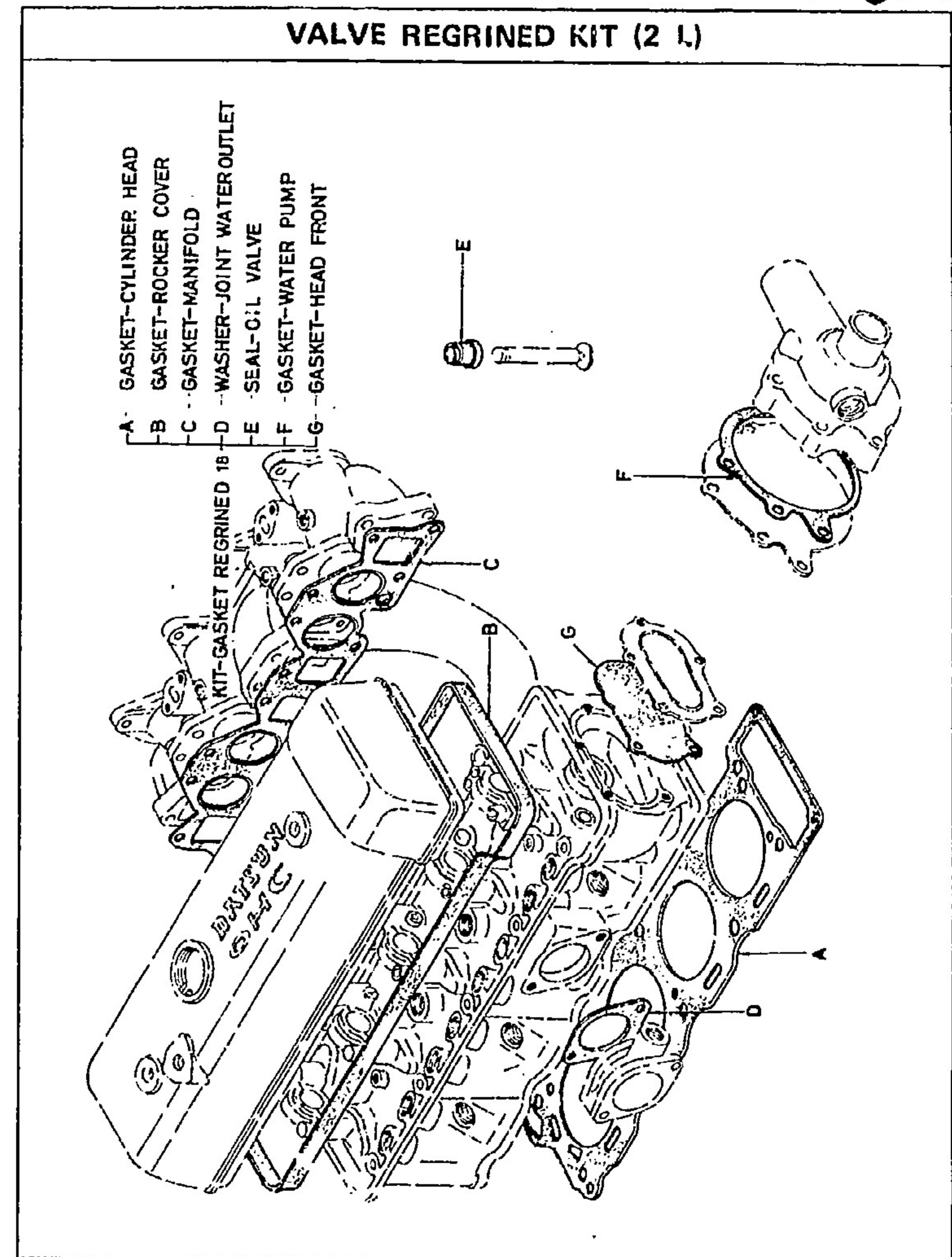
MARCH, 1970

FOA-3

Printed in Japan

NISSAN MOTOR CO., LTD.

FIG. 0A-4



MARCH, 1970

FOA-4

Printed in Japan



FIG. **0A** **D7** NISSAN MOTOR CO., LTD.

S	KEY NO.	PART NO.	PART NAME	QTY	SALES UNIT	MODEL	ICA
<b>ENGINE &amp; GASKET KIT (2L)</b>							
•	1	10001-25640	ASSY-ENGINE W/CLUTCH & SOLEX CARB (TO SEP-67)	1	1 SRL		
	2	10001-25642	ASSY-ENGINE W/CLUTCH & SOLEX CARB (FROM OCT-67)	1	1 SRL		C
•	3	10001-25641	ASSY-ENGINE W/CLUTCH & SOLEX CARB (TO SEP-67)	1	1 SR		
	4	10001-25643	ASSY-ENGINE W/CLUTCH & SOLEX (FROM OCT-67)	1	1 SR		C
•	5	10001-25650	ASSY-ENGINE W/CLUTCH & SU CARB (TO SEP-67)	1	1 SRL		
	6	10001-25653	ASSY-ENGINE W/CLUTCH & SU CARB (FROM OCT-67)	1	1 SRL		C
	7	10001-25651	ASSY-ENGINE W/CLUTCH & SU CARB (TO SEP-67)	1	1 SR		
	8	10001-25654	ASSY-ENGINE W/CLUTCH & SU CARB (FROM OCT-67)	1	1 SR		C
•	9	10001-25652	ASSY-ENGINE W/CLUTCH & SU (FROM OCT-67)	1	1 SRL		
	10	10001-A7850	ASSY-ENGINE W/CLUTCH & SU (FROM JUL-69)	1	1 2L EXHAUST		C
	11	10001-A7840	ASSY-ENGINE W/CLUTCH & SU CARB (FROM JUL-69)	1	1 2L EVAPO		C
	12	10001-25645	ASSY-ENGINE W/CLUTCH & SU (FROM OCT-68)	1	1 2L FRANCE		
	13	10102-25500	ENGINE-BARE FOR SOLEX	1	1 2L		
	14	10102-25501	ENGINE-BARE FOR SU	1	1 2L		
	15	10103-25500	ENGINE-SHORT	1	1 2L		
•	16	10101-25525	KIT-GASKETS, ENGINE REP AIR	1	1 2L		

-A- 1

Printed in Japan

REVISED: DECEMBER, 1970

NISSAN MOTOR CO., LTD.

FIG. **0A**

S	KEY NO.	PART NO.	PART NAME	QTY	SALES UNIT	MODEL	ICA
	17	10101-25526	KIT-GASKETS, ENGINE REP AIR	1	1 2L		Y
	18	11042-25525	KIT-GASKETS, VALVE REGRIND	1	1 2L		

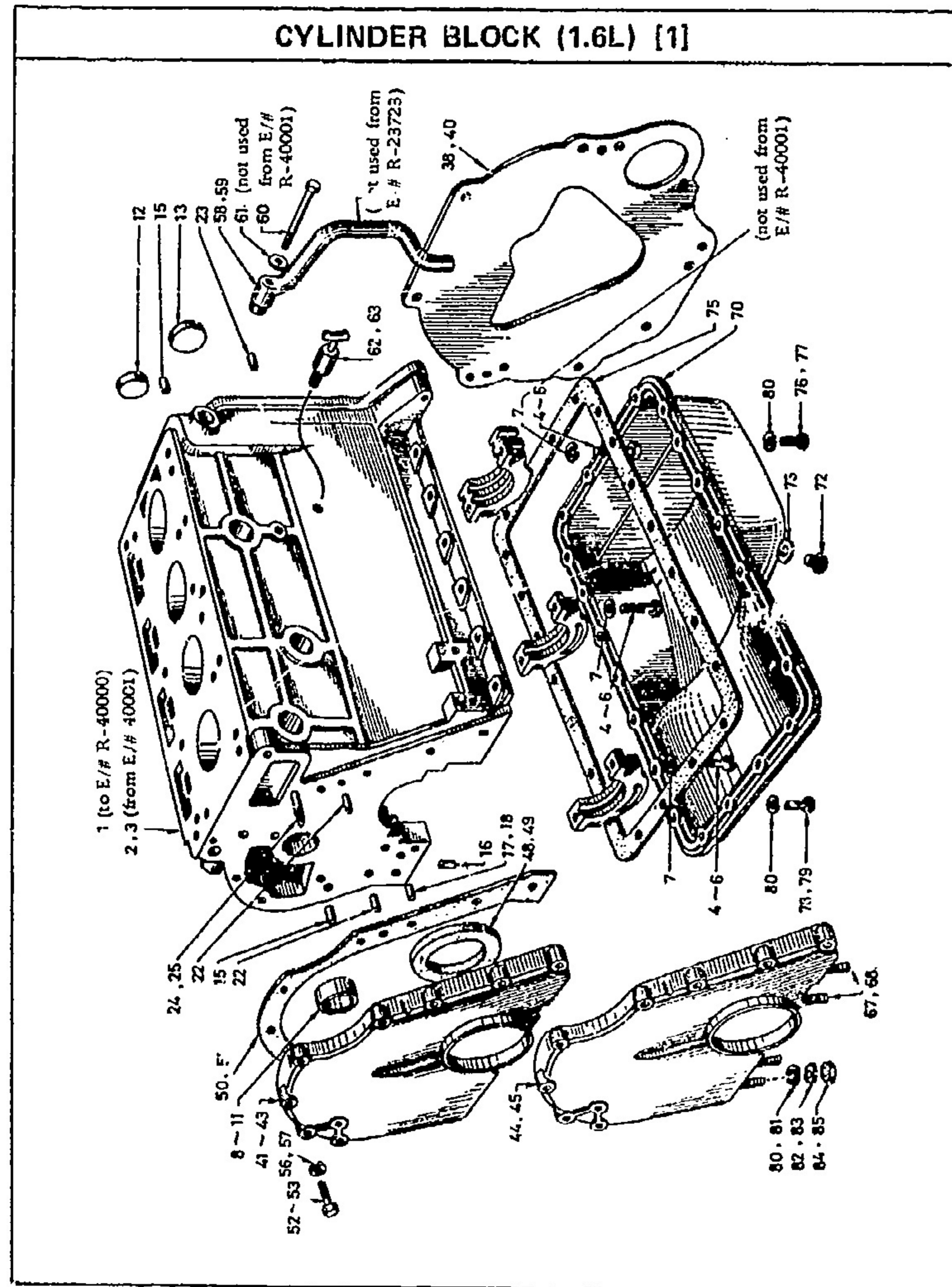
-A- 2

Printed in Japan

REVISED: DECEMBER, 1970



FIG. 1-1 D8 NISSAN MOTOR CO., LTD.



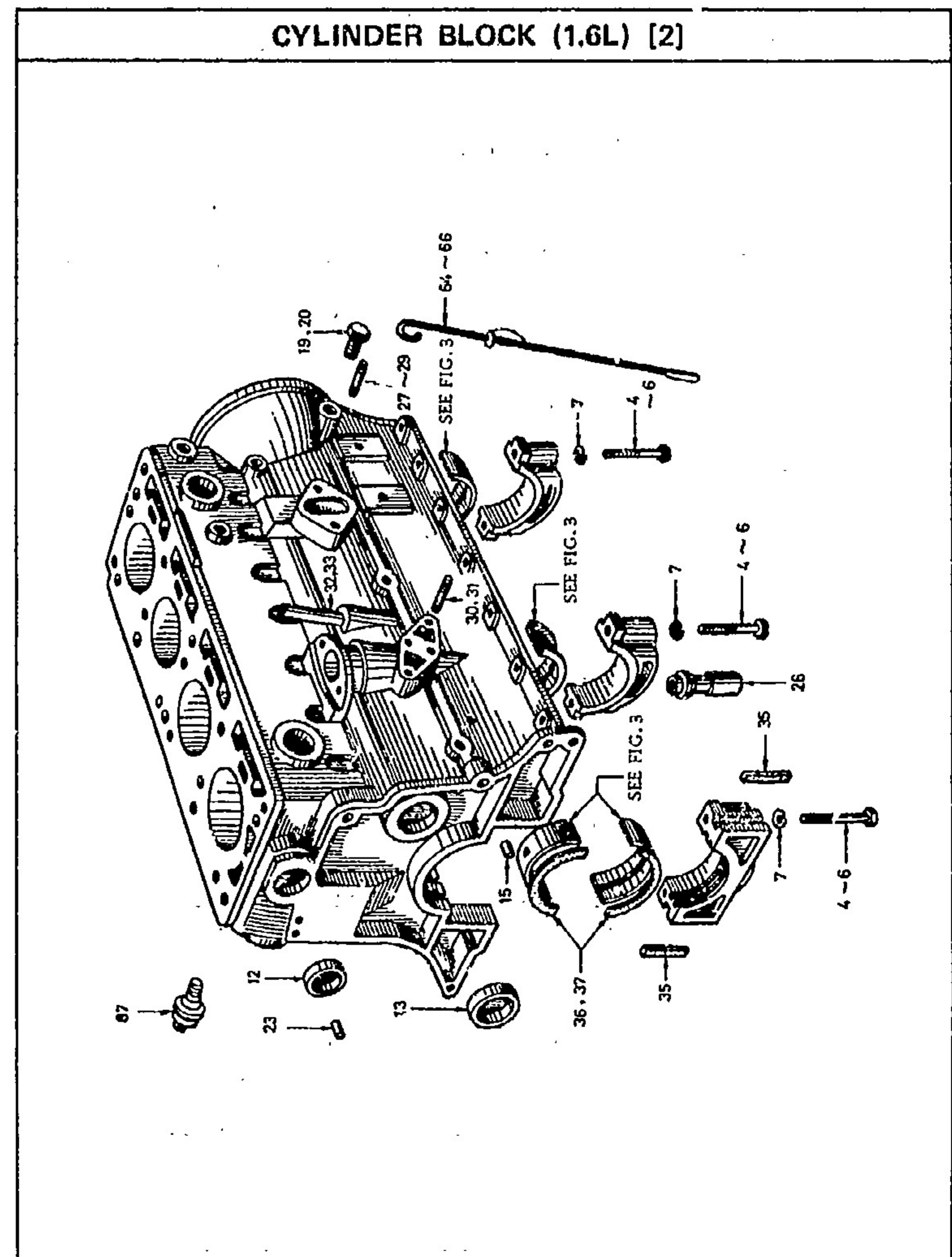
SEPTEMBER, 1971

F1 - 1

Printed in Japan

NISSAN MOTOR CO., LTD.

FIG. 1-2



SEPTEMBER, 1971

F1 - 2

Printed in Japan



FIG. 1 D9 NISSAN MOTOR CO., LTD.

S	KEY NO.	PART NO.	PART NAME	QTY	SALES UNIT	MODEL	ICA
<b>CYLINDER BLOCK (1.6L)</b>							
<i>EVAPQ signifies CALIFORNIA In USA.</i>							
•	1	11010-14600	ASSY-BLOCK, CYLINDER, WITH PLUGS	1	1	1.6L	
•	2	11010-74700	ASSY-BLOCK, CYLINDER, WITH PLUGS (FROM E/N R-40001)	1	1	1.6L	N
	3	11010-J0100	ASSY-BLOCK, CYLINDER, WITH PLUGS	1	1	1.6L	Y
	4	00131-08000	BOLT TO FIX BEARING CAP	6	10	1.6L	
	5	1294-78200	BOLT (FROM E/N R-40001) TO FIX BEARING CAP	6	10	1.6L	N
	6	1295-78200	BOLT (FROM E/N R-40001) TO FIX BEARING CAP	6	10	1.6L	
	7	00915-21010	WASHER-LOCK (NOT USED FROM E/N R-40001) TO FIX BEARING CAP	6	50	1.6L	
	8	13002-32200	SET-BUSHING, CAM SHAFT (STANDARD SIZE)	1	1	1.6L	
	9	13003-32200	SET-BUSHING, CAM SHAFT (0.25 UNDER SIZE)	1	1	1.6L	
	10	13004-32200	SET-BUSHING, CAM SHAFT (0.50 UNDER SIZE)	1	1	1.6L	
	11	13004-32201	SET-BUSHING, CAM SHAFT (0.75 UNDER SIZE)	1	1	1.6L	
	12	00933-13500	PLUG-TAPER (35)	6	25	1.6L	
	13	11019-32200	PLUG-TAPER (44, 425)	1	10	1.6L	
•	14	11021-30000	PLUG-OIL GALLERY, CRANK CASE (BRASS)	2	1	1.6L	
	15	11021-13200	PLUG-OIL GALLERY, CRANK CASE (BRASS)	2	10	1.6L	Y

1 - 1

Printed in Japan

REVISED: MARCH, 1972

NISSAN MOTOR CO., LTD.

FIG. 2

S	KEY NO.	PART NO.	PART NAME	QTY	SALES UNIT	MODEL	ICA
	16	11024-03200	PLUG-BLIND (6, 5)	1	10	1.6L	
	17	13081-32201	JET-OIL, CHAIN TENSIONER	1	50	1.6L	
	18	13081-78200	JET-OIL, CHAIN TENSIONER (FROM E/N R-40001)	1	10	1.6L	N
	19	00931-30210	PLUG (FOR OIL GALLERY)	2	50	1.6L	
	20	00931-30210	PLUG (FOR OIL GALLERY) (FROM E/N R-40001)	2	50	1.6L	N
•	21	11023-32200	DOWEL-TIMING CHAIN CASE	2	50	1.6L	
	22	11046-73402	DOWEL-TIMING CHAIN CASE	2	10	1.6L	Y
	23	30712-85060	DOWEL	2	10	1.6L	
	24	00214-65010	STUD (TO FIX WATER PUMP) (TO E/N R-40000)	1	50	1.6L	
	25	00227-04010	STUD (TO FIX WATER PUMP) (FROM E/N R-40001)	1	50	1.6L	N
	26	15042-32200	BUSHING-DRIVING SPINDLE, OIL PUMP	1	5	1.6L	
	27	00214-52510	STUD (TO FIX FUEL PUMP)	2	50	1.6L	
	28	00223-82510	STUD 25H/M (TO FIX FUEL PUMP) (FROM E/N R-40001)	2	50	1.6L	N
	29	00223-83210	STUD 32H/M (TO FIX FUEL PUMP)	2	50	1.6L	N
	30	00214-62210	STUD (TO FIX OIL FILTER)	2	50	1.6L	
	31	00227-02210	STUD (TO FIX OIL FILTER) (FROM E/N R-40001)	2	50	1.6L	N
	32	15146-12200	GUIDE-OIL LEVEL GAUGE	1	1	1.6L EXC EVAPQ	
	33	15146-A7700	GUIDE-OIL LEVEL GAUGE	1	5	1.6L EVAPQ	

1 - 2

Printed in Japan

REVISED: MARCH, 1972



FIG. 1 D10 NISSAN MOTOR CO., LTD.

S	KEY NO.	PART NO.	PART NAME	QTY	SALES UNIT	MODEL	ICA
•	34	12289-32201	SEAL-OIL, REAR BEARING CAP SIDE (RUBBER)	2		1.6L	
	35	12289-14600	SEAL-OIL, REAR BEARING CAP SIDE (RUBBER)	2	5	1.6L	Y
	36	12279-32200	SEAL-OIL, CRANK SHAFT	2	10	1.6L	
	37	12279-61000	SEAL-OIL, CRANK SHAFT (FROM F/A R=40001)	2	10	1.6L	N
	38	30411-38701	PLATE-REAR, ENGINE	1		1.6L	
•	39	30411-78200	PLATE-REAR, ENGINE (FROM L/A R=40001)	1		1.6L	N
	40	30411-78202	PLATE-REAR, ENGINE	1	1	1.6L	Y
	41	13036-61050	ASSY-COVER, TIMING CHAIN, WITH SEAL	1	1	SPL	
	42	13036-61000	ASSY-COVER, TIMING CHAIN, WITH SEAL	1	1	SP	
	43	13035-15800	ASSY-COVER, TIMING CHAIN, WITH SEAL	1	1	1.6L	C
	44	13500-66600	ASSY-COVER, TIMING CHAIN, WITH SEAL (FROM E/A R=40001)	1	1	1.6L	N
•	45	13500-66601	ASSY-COVER, TIMING CHAIN	1	1	1.6L	Y
	46	13515-14700	INDICATOR-TIMING (FROM JGT-67)	1	5	SPLU	
•	47	13042-32200	SEAL-OIL, TIMING CHAIN COVER	1	2	1.6L	
•	48	13510-78200	SEAL-OIL, TIMING CHAIN COVER	1	10	1.6L	Y
	49	13510-E0700	SEAL-OIL, TIMING CHAIN COVER	1	1	1.6L	Y
•	50	13044-32201	GASKET-TIMING CHAIN COVER	1		1.6L	
	51	13044-32200	GASKET-TIMING CHAIN COVER	1	1	1.6L	Y

1 - 3

Printed in Japan

REVISED: MARCH, 1972

NISSAN MOTOR CO., LTD.

FIG. 1

S	KEY NO.	PART NO.	PART NAME	QTY	SALES UNIT	MODEL	ICA
	52	00111-41010	BOLT-FIX TIMING CHAIN COVER (TO E/A R=40000)	1	50	1.6L	
	53	00120-64510	BOLT-FIX TIMING CHAIN COVER (FROM E/A R=40001)	1	50	1.6L	N
	54	00120-64010	BOLT-FIX TIMING CHAIN COVER (FROM F/A R=40001)	1	50	1.6L	N
	55	13541-66600	BOLT-FIX TIMING CHAIN COVER (FROM E/A R=40001)	1		1.6L	N
	56	00915-11410	WASHER-LOCK TO FIX TIMING CHAIN COVER	1	50	1.6L	
	57	00915-13810	WASHER-LOCK (FROM E/A R=40001) TO FIX TIMING CHAIN COVER	1	50	1.6L	N
•	58	13262-12200	TOOL-BREATHER (TO E/A R=23722)	1	1	SP	
	59	13262-38700	TOOL-BREATHER	1	1	1.6L	
	60	00111-57510	BOLT	1	25	1.6L	
	61	11035-30000	WASHER-FITTING (NOT USED FROM E/A R=40001)	1	50	1.6L	
	62	21211-73400	COCK-DRAIN	1	1	1.6L	
	63	21211-15000	PLUG-DRAIN (FROM F/A R=40001)	1	10	1.6L	N
	64	13140-12200	ASSY-GAUGE, OIL LEVEL	1	1	1.6L (F/A, L, G, A.)	
	65	13140-12201	ASSY-GAUGE, OIL LEVEL (FROM F/A R=23723)	1	1	1.6L	N
	66	13140-12201	ASSY-GAUGE, OIL LEVEL	1	5	1.6L (H, G, A. ONLY)	
	67	00224-11610	STUD-FRONT COVER TO OIL PAN	1		1.6L	
	68	00226-11610	STUD-FRONT COVER TO OIL PAN (FROM F/A R=40001)	1	50	1.6L	N

1 - 4

Printed in Japan

REVISED: MARCH, 1972



FIG. 1 D11 NISSAN MOTOR CO., LTD.

S	KEY NO.	PART NO.	PART NAME	QTY	SALES UNIT	MODEL	ICA
	69	0R227-04510	STUD-WATER PUMP(FROM E /R-40001)	1		1.6L	
	70	11110-12200	ASSY-PAN,OIL	1	1	1.6L	
	71	1112R-61001	PLUG-DRAIN,OIL PAN	1	50	1.6L	
	72	1112R-69200	PLUG-DRAIN,OIL PAN	1	10	1.6L	Y
	73	11026-61000	WASHER-DRAIN PLUG	1	50	1.6L	
	74	11121-32200	GASKET-OIL PAN TO CYL INDER BLOCK	1	10	1.6L	
	75	11121-E0700	GASKET-OIL PAN TO CYLINDER BLOCK	1	10	1.6L	Y
	76	00111-41616	BOLT TO FIX OIL PAN	20	50	1.6L	
	77	0R120-61610	BOLT(FROM E/R-40001) TO FIX OIL PAN	12	50	1.6L	N
	78	00111-42210	BOLT TO FIX OIL PAN	2	50	1.6L	
	79	0R120-62210	BOLT(FROM E/R-40001) TO FIX OIL PAN	3	50	1.6L	N
Y	80	00915-11410	WASHER-LOCK TO FIX OIL PAN	22	50	1.6L	
	81	00915-13610	WASHER-SPRING(FROM E/R R-40001)TO FIX OIL PA N	22	50	1.6L	N
Y	82	00915-41410	WASHER-PLAIN (TO E/R R -40000)	4	50	1.6L	
	83	0R915-43610	WASHER-PLAIN (FROM E/R R-40001)	4	50	1.6L	N
V	84	00911-24410	NUT TO FIX OIL PAN	4	50	1.6L	
	85	0R911-10610	NUT(FROM E/R R-40001) O FIX OIL PAN	4	50	1.6L	N
	86	11160-73400	WELL-SERT 3/8-19 PS TO FIX OIL PAN	1	5	1.6L	
	87	25078-32200	ASSY-GAUGE,OIL PRESSUR E,ENGINE SIDE(TO SEP -27)	1	1	ALL	

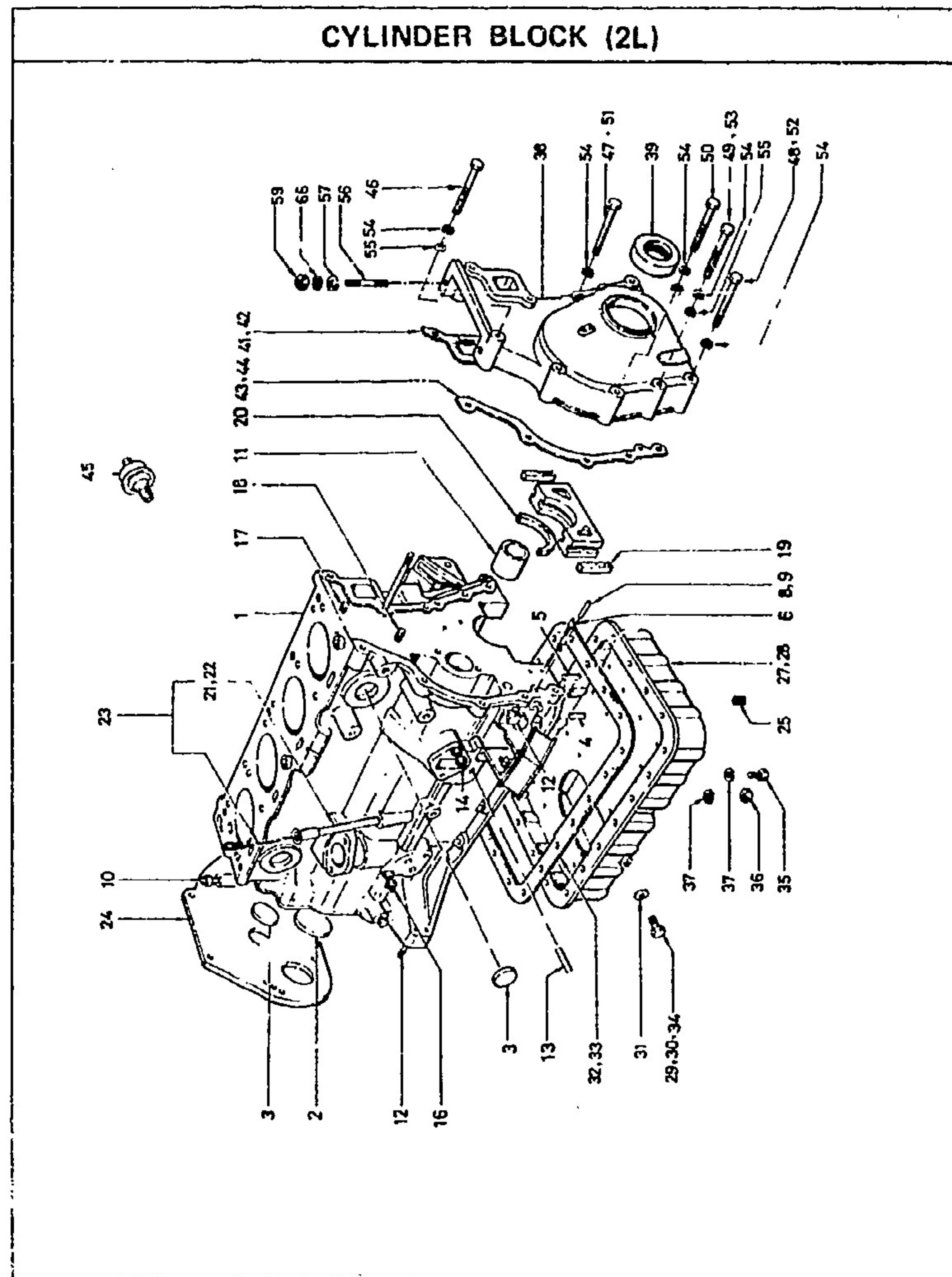
REVISED: MARCH, 1972

1 - 5

Printed in Japan



FIG. 1A D12 NISSAN MOTOR CO., LTD.



SEPTEMBER, 1971

F1A-1

Printed in Japan

NISSAN MOTOR CO., LTD.

FIG. 1A

KEY NO.	PART NO.	PART NAME	QTY	SALES UNIT	MODEL	ICA
<b>CYLINDER BLOCK (2L)</b>						
1	11010-25500	ASSY-BLOCK, CYLINDER WITH PLUGS	1	1 2L		
2	11219-32200	PLUG-WELCH, JACK SHAFT, REAR	1	10 2L		
3	00933-13500	PLUG-WELCH(35)	4	25 2L		
4	11021-13200	PLUG-TAPER(12,7), OIL GALLERY	2	10 2L		
5	11024-78200	PLUG-TAPER(6,3), OIL GALLERY, FRONT	1	50 2L		
6	13081-78200	JET-OIL, CHAIN TENSIONER	1	10 2L		
7	11023-32200	DOWEL-TIMING CHAIN CASE	2	50 2L		
8	11046-73402	DOWEL-TIMING CHAIN CASE	2	10 2L		Y
9	30412-85060	DOWEL-TIMING CHAIN	2	10 2L		
10	15042-20100	BUSH-OIL PUMP DRIVE SHAFT	1	5 2L		
11	13002-71200	SET-BUSH, JACK SHAFT (STANDARD) (INC. FRONT, MIDDLE AND REAR)	1	1 2L		
17	00931-30210	PLUG-HEXAGON TAPER THROUGH, OIL GALLERY	1	50 2L		
13	11023-78200	PLUG-TAPER 8, OIL GALLERY	1	10 2L		
14	00223-02510	STUD-FUEL PUMP(25H/H)	7	50 2L		
15	00223-03210	STUD-FUEL PUMP(32H/H)	2	50 2L		N
16	00223-82010	STUD-OIL PUMP	2	50 2L		

REVISED: MARCH, 1972

1-A-1

Printed in Japan



FIG. 1A D13 NISSAN MOTOR CO., LTD.

S	KEY NO.	PART NO.	PART NAME	QTY	SALES UNIT	MODEL	ICA
	17	13061-25500	STUD M6 X 1,25 X 92, W/ A TIE PUMP	1	10	2L	
	18	13062-25500	STUD M10 X 1,25 X 92, W/ A ATEK PUMP	1	10	2L	
	19	17289-14600	SEAL-OIL, REAR BEARING CAP SIDE	2	5	2L	
	20	17279-32200	SEAL-OIL, CRANK SHAFT R CAR	2	10	2L	
	21	15146-12200	GUIDE-OIL LEVEL GAUGE	1	1	2L EXC EVAPO	
	22	15146-A7700	GUIDE-OIL LEVEL GAUGE	1	5	2L EVAPO	
	23	15140-12201	ASSY-GAUGE, OIL LEVEL	1	5	2L	
	24	30411-78202	PLATE-ENGINE REAR	1	1	2L	
	25	21211-18000	PLUG-DRAIN, UPASS	1	10	2L	
	26	11110-14610	ASSY-PAN, OIL FOR SOLEX CARBURETOR	1	1	2L	
	27	11110-25500	ASSY-PAN, OIL FOR SOLEX CARBURETOR	1	1	2L	Y
	28	11110-12200	ASSY-PAN, OIL FOR SU CARBURETOR	1	1	2L	
	29	11128-61001	PLUG-DRAIN	1	50	2L	
	30	11128-69200	PLUG-DRAIN	1	10	2L	Y
	31	11026-61000	WASHER-DRAIN PLUG	1	50	2L	
	32	11121-25500	GASKET-OIL PAN F 1,2	1	10	2L	
	33	11121-25501	GASKET-OIL PAN	1	10	2L	Y
	34	11121-25502	GASKET-OIL PAN	1	10	2L	Y
	35	0133-61010	BOLT-HEXAGON M6 X 1,0 T TO ATTACH OIL PAN TO C YLINDER BLOCK	1	50	2L	
	36	04911-13510	BOLT-HEXAGON M6 X 1,0 T TO ATTACH OIL PAN TO C YLINDER BLOCK	4	50	2L	

1-A-2

Printed in Japan

REVISED: MARCH, 1972

NISSAN MOTOR CO., LTD.

FIG. 1A

S	KEY NO.	PART NO.	PART NAME	QTY	SALES UNIT	MODEL	ICA
	37	00915-13610	WASHER-SPRING M6 TO AT TACH OIL PAN TO CYLINDER BLOCK	22	50	2L	
	38	17500-25500	ASSY-COVER, FRONT	1	1	2L	
	39	17042-73000	SEAL-OIL, FRONT COVER	1	5	2L	
	40	17042-A3500	SEAL-OIL, FRONT COVER	1	5	2L	Y
	41	13520-20100	GASKET-FRONT COVER R, H	1	10	2L	
	42	13520-25500	GASKET-FRONT COVER R, H	1	10	2L	Y
	43	13521-20100	GASKET-FRONT COVER L, H	1	10	2L	
	44	13521-25500	GASKET-FRONT COVER L, H	1	10	2L	Y
	45	25078-32200	ASSY-GAUGE, OIL PRESSURE ENGINE SIDE (TO SEP -67)	1	1	ALL	
	46	00120-64010	BOLT M8XL40 TO ATTACH FRONT COVER TO CYLINDER BLOCK	1	50	2L	
	47	13267-78211	BOLT M8XL40 TO ATTACH FRONT COVER TO CYLINDER BLOCK	2	10	SR	
	48	17036-66700	BOLT M8XL90 TO ATTACH FRONT COVER TO CYLINDER BLOCK	2		SPL	
	49	13267-25600	BOLT M8XL1,25XL72 TO AT TACH FRONT COVER TO CYL LINDER BLOCK	2	10	SRLU	
	50	13267-78213	BOLT M8XL60 TO ATTACH FRONT COVER TO CYLINDER BLOCK	2	10	2L	
	51	13541-25500	BOLT M8XL78 TO ATTACH FRONT COVER TO CYLINDER BLOCK	2		SR	

1-A-3

Printed in Japan

REVISED: MARCH, 1972



FIG. 1A D14 NISSAN MOTOR CO., LTD.

S	KEY NO.	PART NO.	PART NAME	QTY	SALES UNIT	MODEL	ICA
	52	13540-25500	BOLT M8X170 TO ATTACH FRONT COVER TO CYL. BLOCK	2		SRL	
	53	15267-14700	BOLT M8X185 TO ATTACH FRONT COVER TO CYL. BLOCK	2	10	SRLU	
	54	04915-13810	WASHER SPRING	7	50	2L	
	55	04915-43810	WASHER PLAIN	5	10	2L	
	56	06228-61410	STUD TO FIX FRONT COVER TO CYLINDER HEAD	2	50	2L	
	57	04915-13610	WASHER-LOCK TO FIX FRONT COVER TO CYLINDER HEAD	2	50	2L	
	58	04915-43610	WASHER-PLAIN TO FIX FRONT COVER TO CYLINDER HEAD	2	50	2L	
	59	06911-10610	NUT TO FIX FRONT COVER TO CYLINDER HEAD	2	50	2L	

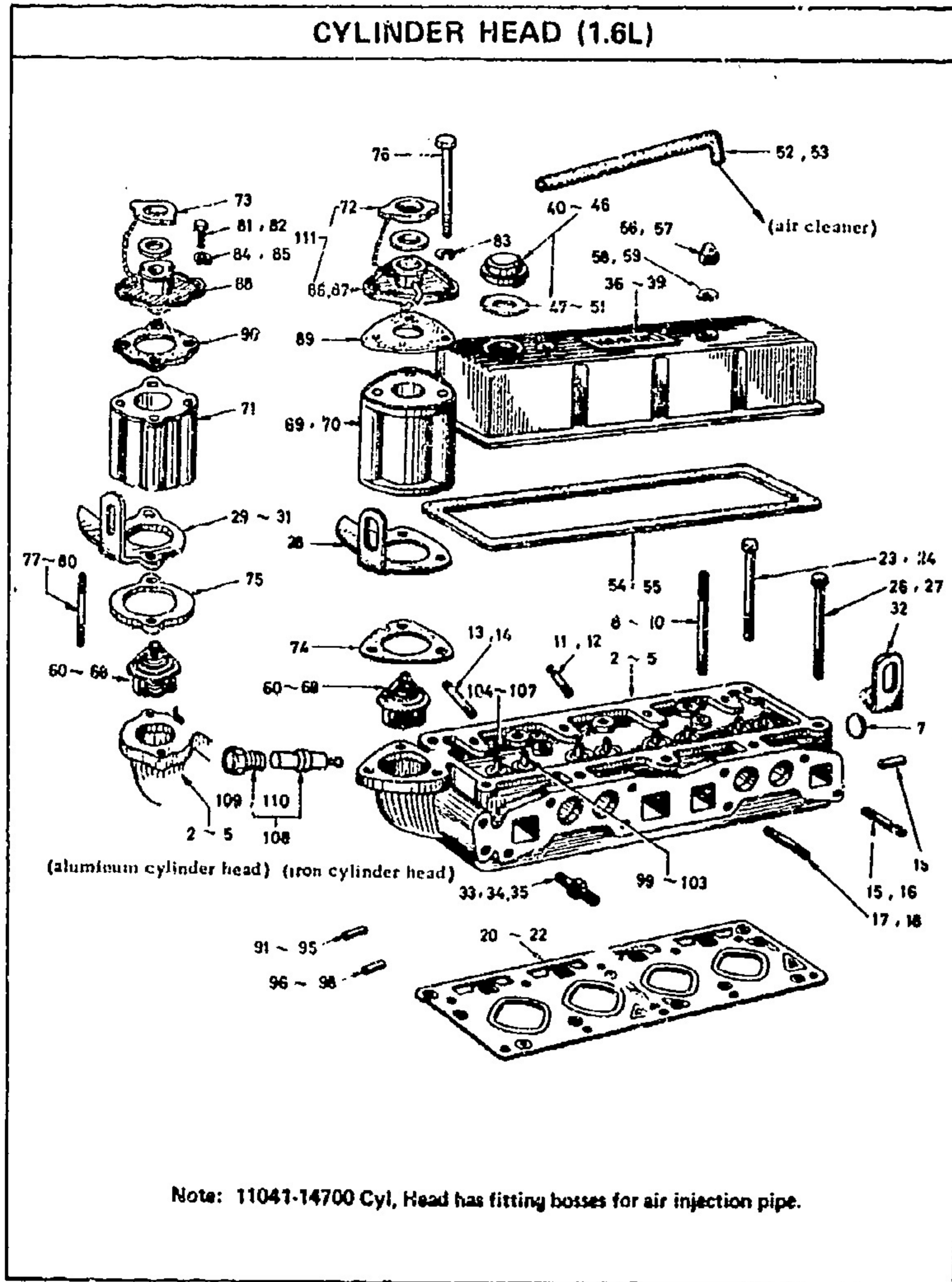
REVISED: MARCH, 1977

1-A-4

Printed in Japan



FIG. 2 D15 NISSAN MOTOR CO., LTD.



SEPTEMBER, 1971

F2 - 1

Printed in Japan

NISSAN MOTOR CO., LTD.

FIG. 2

KEY NO.	PART NO.	PART NAME	QTY	SALES UNIT	MODEL	ICA
<b>CYLINDER HEAD (1.6L)</b>						
1	11041-14672	ASSY-HEAD, CYLINDER, 1.6L	1		1.6L	
2	11041-14603	ASSY-HEAD, CYLINDER, ALU MINUM (FROM E/S R-10600 )	1	1	1.6L	Y
3	11041-18810	ASSY-HEAD, CYLINDER, ALU MINUM (FROM E/S R-40001 )	1	1	1.6L	N
4	11041-18811	ASSY-HEAD, CYLINDER, ALU MINUM (FROM E/S R-49825 )	1	1	1.6L	N
5	11041-14700	ASSY-HEAD, CYLINDER AL	1	1	1.6L	C
6	00114-42010	BOLT M14X1.5X20L	4	25	1.6L	
7	00933-13500	PLUG-TAPER (39)	1	25	1.6L	
8	11063-32200	STUD-ROCKER COVER	2	10	1.6L	
9	11063-78200	STUD-ROCKER COVER (FROM L/R R-40001)	2	10	1.6L	
10	11063-78201	STUD-ROCKER COVER (FROM E/R R-40001)	2	10	1.6L	Y
11	00264-77000	STUD-ROCKER BRACKET	1	10	1.6L	
12	13224-78200	STUD-ROCKER BRACKET (FR OM L/R R-40001)	1	10	1.6L	N
13	00214-61810	STUD-ADJUSTING BAR	1	50	1.6L	
14	00227-02210	STUD-ADJUSTING BAR (FR OM L/R R-40001)	1	50	1.6L	N
15	00224-52810	STUD	4	50	1.6L	
16	00223-82810	STUD (FROM E/S R-40001)	4	50	1.6L	N
17	00224-53200	STUD-MANIFOLD MOUNTI NG CENTER	2	50	1.6L	

REVISED: MARCH, 1977

F2 - 1

Printed in Japan



FIG. 2 D16 NISSAN MOTOR CO., LTD.

S	KEY NO.	PART NO.	PART NAME	QTY	SALES UNIT	MODEL	ICA
	17	0223-83210	STUD-MANIFOLD MOUNTING CENTER (FROM E/R R-40001)	2	50	1.6L	N
	19	11069-50000	PLUG-OIL HOLE (BRASS)	2	10	1.6L	
	20	11044-14600	GASKET-CYLINDER HEAD (COMPRESSION RATIO 8.0:1)	1		1.6L	
	21	11044-14601	GASKET-CYLINDER HEAD (COMPRESSION RATIO 8.0:1)	1	10	1.6L	Y
	22	11044-78202	GASKET-CYLINDER HEAD (COMPRESSION RATIO 8.0:1)	1	10	1.6L	Y
	23	11056-32200	BOLT-CYLINDER HEAD	9	10	1.6L	
	24	11056-78200	BOLT-CYLINDER HEAD (FROM E/R R-40001)	9	10	1.6L	Y
	25	11058-18810	WASHER-CYLINDER BOLT 3.2	9	10	1.6L	
	26	11057-32200	BOLT-CYLINDER HEAD	1	10	1.6L	
	27	11057-78200	BOLT-CYLINDER HEAD (FROM E/R R-40001)	1	10	1.6L	N
	28	10005-14600	SLINGER-ENGINE, FRONT	1	1	1.6L	
	29	10005-14611	SLINGER-ENGINE, FRONT (FROM E/R R-10600)	1	1	1.6L	N
	30	10004-73400	SLINGER-ENGINE, FRONT (1PH)	1	5	1.6L	Y
	31	10004-14600	SLINGER-ENGINE, FRONT (METRIC)	1	5	1.6L	N
	32	10006-32200	SLINGER-ENGINE, REAR	1	5	1.6L	
	33	11057-12200	CONNECTOR-CYLINDER HEAD	1	5	1.6L	
	34	11057-14600	CONNECTOR-CYLINDER HEAD (FROM E/R R-40001)	1	100	1.6L	N

NISSAN MOTOR CO., LTD.

FIG. 2

S	KEY NO.	PART NO.	PART NAME	QTY	SALES UNIT	MODEL	ICA
	35	11059-14600	CONNECTOR-CYLINDER HEAD	1	5	1.6L	Y
	36	11264-12300	ASSY-COVER, ROCKER, FOR ANTI-AIR POLLUTION	1	1	1.6L USA ONLY	
	37	11264-16000	ASSY-COVER, ROCKER, FOR ANTI-AIR POLLUTION (FROM E/R SPL311 1217)	1	1	1.6L USA ONLY	
	38	11265-12201	ASSY-COVER, ROCKER	1	1	1.6L EXC USA	
	39	11264-16000	ASSY-COVER, ROCKER, FOR ANTI-AIR POLLUTION (FROM E/R R-23723)	1	1	1.6L EXC USA	
	40	15254-12300	ASSY-FILLER, OIL FOR ANTI-AIR POLLUTION	1	1	1.6L USA ONLY	
	41	15254-15902	ASSY-FILLER, OIL FOR ANTI-AIR POLLUTION	1	1	1.6L USA ONLY	N
	42	15255-15902	ASSY-FILLER, OIL FOR ANTI-AIR POLLUTION	1	1	1.6L USA ONLY	Y
	43	15255-15952	ASSY-FILLER, OIL FOR ANTI-AIR POLLUTION	1	1	1.6L USA	Y
	44	15255-12251	ASSY-FILLER, OIL	1	1	1.6L EXC USA	
	45	15254-15902	ASSY-FILLER, OIL FOR ANTI-AIR POLLUTION (FROM E/R R-23723)	1	1	1.6L EXC USA	
	46	15255-15953	ASSY-FILLER, OIL FOR ANTI-AIR POLLUTION	1	5	1.6L	Y
	47	15270-36700	PACKING-OIL FILTER	1		1.6L EXC USA	
	48	15270-11200	PACKING-OIL FILTER (10 E/R R-23722)	1	10	1.6L	Y
	49	15270-03400	PACKING-OIL FILTER	1	10	1.6L	
	50	15270-11200	PACKING-OIL FILTER (FROM E/R R-23723)	1	10	1.6L EXC USA	
	51	15270-03400	PACKING-OIL FILTER	1	10	1.6L	



FIG. 2 E1 NISSAN MOTOR CO., LTD.

S	KEY NO.	PART NO.	PART NAME	QTY	SALES UNIT	MODEL	ICA
	52	16571-12300	ASSY-HOSE,ROCKER COVER TO AIR CLEANER	1	1	1.6L USA ONLY	
	53	16571-14700	ASSY-HOSE,ROCKER COVER TO AIR CLEANER(FROM E/F # R=23723)	1	5	1.6L	Y
	54	13270-32200	GASKET-ROCKER COVER	1		1.6L	
	55	13270-36700	GASKET-ROCKER COVER	1	10	1.6L	Y
	56	13239-10400	NUT-CAP	2	10	1.6L	
	57	13274-18810	NUT-CAP (FROM E/F # R=40001)	2	50	1.6L	N
	58	13228-10400	WASHER-CAP NUT	2	10	1.6L	
	59	13275-71000	WASHER-CAP NUT	2	5	1.6L	Y
	60	21200-61000	ASSY-THERMOSTAT(70.5 DEGREES)	1	1	1.6L	
	61	21200-78502	ASSY-THERMOSTAT(76.5 DEGREES)	1	1	1.6L	Y
	62	21200-61001	ASSY-THERMOSTAT(FOR WINTER) (82 DEGREES)	1	1	1.6L	
	63	21200-78500	ASSY-THERMOSTAT(FOR WINTER) (82 DEGREES)	1	1	1.6L	Y
	64	21200-61002	ASSY-THERMOSTAT FOR COLD AREA (88 DEGREES)	1	1	1.6L	
	65	21200-78501	ASSY-THERMOSTAT FOR COLD AREA (88 DEGREES)	1	1	1.6L	Y
	66	21200-78503	ASSY-THERMOSTAT FOR COLD AREA (88 DEGREES)	1	1	1.6L	Y
	67	21200-78505	ASSY-THERMOSTAT FOR COLD AREA (88 DEGREES)	1	1	1.6L	Y
	68	21200-78506	ASSY-THERMOSTAT FOR COLD AREA (88 DEGREES)	1	1	1.6L	Y
	69	11060-14602	ELBOW-WATER OUTLET,3 HOLES	1	1	1.6L	

REVISED: MARCH, 1972

2 - 4

Printed in Japan

NISSAN MOTOR CO., LTD.

FIG. 2

S	KEY NO.	PART NO.	PART NAME	QTY	SALES UNIT	MODEL	ICA
	70	11060-14601	ELBOW-WATER OUTLET,4 HOLES(FROM E/F # R=10606)	1	1	1.6L	N
	71	11060-14700	ELBOW-WATER OUTLET (FROM OCT-67)	1	1	SPLU	
	72	21430-14601	ASSY-CAP,RADIATOR	1	1	1.6L	
	73	21430-14603	ASSY-CAP,RADIATOR(FROM E/F # R=10606)	1	10	1.6L	Y
	74	11062-30000	WASHER-JOINT,WATER OUTLET ELBOW (3 HOLES)	1	50	1.6L	
	75	11062-14600	WASHER-JOINT,WATER OUTLET ELBOW(2 HOLES)(FROM E/F # R=10606)	1	10	1.6L	Y
	76	15037-09400	BOLT TO FIX ELBOW TO CYLINDER HEAD(TO E/F # R=10605)	3	10	1.6L	
	77	11050-14601	BOLT-STUD (FROM E/F # R=10606 TO R=40000)	2	10	1.6L	N
	78	11050-14602	BOLT-STUD	2	5	1.6L	Y
	79	11050-14603	BOLT-STUD (FROM E/F # R=40001)	2	10	1.6L	N
	80	11050-14700	BOLT-STUD (FROM OCT-67)	2	10	SPLU	
	81	00114-41410	BOLT(FROM E/F # R=10606 TO R=40000)	2	50	1.6L	N
	82	00120-61410	BOLT(FROM E/F # R=40001)	2	50	1.6L	N
	83	00915-11510	WASHER-LOCK TO FIX ELBOW TO CYLINDER HEAD(TO E/F # R=10605)	3	50	1.6L	
	84	00915-11410	WASHER-SPRING(FROM E/F # R=10606)	2	50	1.6L	N
	85	00915-13610	WASHER-SPRING(FROM E/F # R=40001)	2	50	1.6L	N
	86	21411-14601	ASSY-NECK,OIL FILLER	1	1	1.6L	
	87	21430-14601	ASSY-NECK OIL FILLER	1	1	1.6L	Y

REVISED: MARCH, 1972

2 - 5

Printed in Japan



FIG. 2 E2 NISSAN MOTOR CO., LTD.

S	KEY NO.	PART NO.	PART NAME	QTY	SALES UNIT	MODEL	ICA
	80	21411-14603	ASSY-NECK, OIL FILLER (FROM E/F R-10606)	1	1	1.6L	N
	81	11062-30050	GASKET-FILLER NECK, 3 HOLES	1	50	1.6L	
	90	21412-14600	GASKET-FILLER NECK, 4 HOLES (FROM E/F R-10606)	1	10	1.6L	N
	91	01931-20010	PLUG-BLIND, STEEL	1	10	1.6L	
	92	11048-14601	PLUG-BLIND, ALUMINUM (FROM E/F R-10606)	1	10	1.6L	N
	93	11048-14602	PLUG-BLIND	1	10	1.6L	Y
	94	11048-14603	PLUG-BLIND	1	10	1.6L	Y
	95	11048-14604	PLUG-BLIND	1	10	1.6L	Y
	96	11049-14600	PLUG-TAPER, STEEL	1	10	1.6L	
	97	11049-14601	PLUG-TAPER, ALUMINUM (FROM E/F R-10606)	1	10	1.6L	N
	98	11049-14602	PLUG-TAPER, ALUMINUM (FROM E/F R-10606)	1	10	1.6L	Y
	99	11212-14600	GUIDE-VALVE, INTAKE (TO E/F R-49884)	4	6	1.6L	
	100	11212-14601	GUIDE-VALVE INTAKE (TO E/F R-49884)	4	6	1.6L	Y
	101	11212-18015	GUIDE-VALVE INTAKE	4	6	1.6L	Y
	102	11212-18810	GUIDE-VALVE, INTAKE (FROM E/F R-49885)	4	1	1.6L	N
	103	11212-18815	GUIDE-VALVE, INTAKE (FROM E/F R-49885)	4	6	1.6L	Y
	104	11213-14600	GUIDE-VALVE, EXHAUST (TO E/F R-49884)	4	40	1.6L	
	105	11213-14615	GUIDE-VALVE, EXHAUST	4	4	1.6L	Y
	106	11213-18810	GUIDE-VALVE, EXHAUST (FROM E/F R-49885)	4	1	1.6L	N

REVISED: MARCH, 1972

2-6

Printed in Japan

NISSAN MOTOR CO., LTD.

FIG. 2

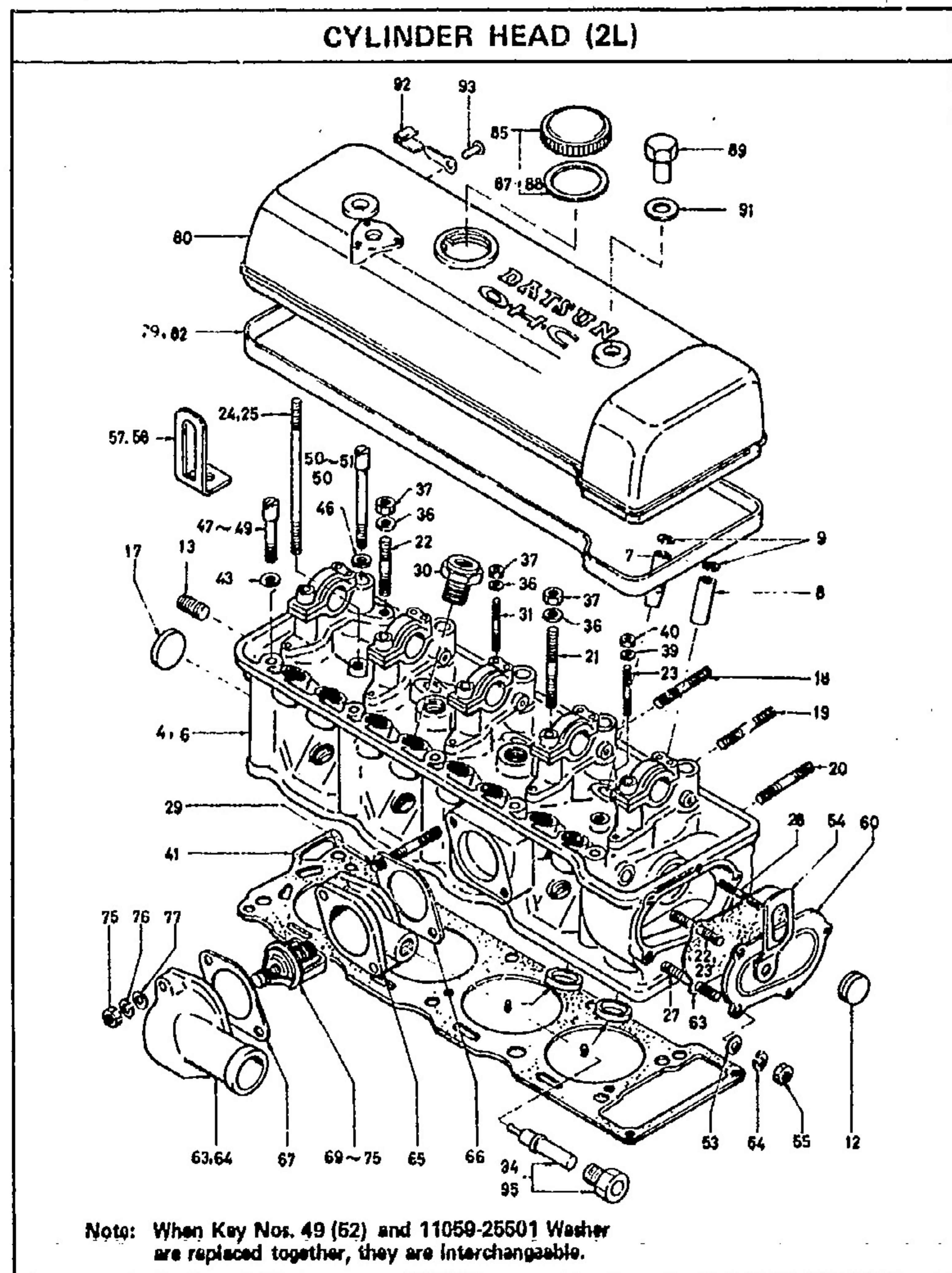
S	KEY NO.	PART NO.	PART NAME	QTY	SALES UNIT	MODEL	ICA
	107	11213-18815	GUIDE-VALVE, EXHAUST (FROM E/F R-49885)	4	10	1.6L	Y
	108	21080-62200	COMP-TRANSMITTER, THERMAL, ENGINE SIDE	1	5	ALL	
	109	21251-30100	NUT-GRAND, THERMAL	1	10	1.6L	
	110	21251-37700	NUT-GRAND, THERMAL (FROM E/F R-40001)	1	10	ALL	N
	111	81430-14601	C-NECK FILLER WITH CAP	1	1	1.6L	

REVISED: MARCH, 1972

2-7

Printed in Japan





S KEY NO.	PART NO.	PART NAME	QTY	SALES UNIT	MODEL	ICA
<b>CYLINDER HEAD (2L)</b>						
1	11040-25500	ASSY-HEAD, CYLINDER W/IT H CAM BRACKET	1		2L	
2	11041-25500	ASSY-HEAD, CYLINDER (TO SEP-67)	1	1	2L	Y
3	11041-25500	ASSY-HEAD, CYLINDER (FROM OCT-67)	1	1	2L EXC SRLU	Y
4	11041-25501	ASSY-HEAD, CYLINDER W/CAM BRKT	1	1	2L EXC SRLU	Y
5	11040-25601	ASSY-HEAD, CYLINDER (FROM OCT-67) (NOT FOR SALE)	1	1	SRLU	N
6	11041-25601	ASSY-HEAD, CYLINDER W/CAM BRKT	1	1	SRLU	Y
7	13212-25505	GUIDE-INTAKE VALVE	4	10	2L	
8	13213-25505	GUIDE-EXHAUST VALVE	4	10	2L	
9	13214-14600	RING-SNAP, VALVE GUIDE	8	10	2L	
10	11098-25500	SEAT-INTAKE VALVE	4	10	2L	
11	11099-25500	SEAT-EXHAUST VALVE	4		2L	
12	00933-21070	PLUG-OIL HOLE	1	50	2L	
13	00933-20650	PLUG-OIL HOLE	2	50	2L	
14	11048-73400	PLUG-BLIND	3	10	2L	
15	11048-73401	PLUG-BLIND	3	10	2L	Y
16	11048-73402	PLUG-BLIND	3	10	2L	Y
17	11048-73403	PLUG-BLIND	3	10	2L	Y
18	00224-02810	STUD-EXHAUST MANIFOLD, CENTER	2	75	2L	



FIG. 2A E4 NISSAN MOTOR CO., LTD.

S	KEY NO.	PART NO.	PART NAME	QTY	SALES UNIT	MODEL	ICA
	19	0P224-83010	STUD-EXHAUST & INTAKE, MANIFOLD	6	25	2L	
	20	0P224-83210	STUD-YOKE & SLINGER	6	25	2L	
	21	11064-25500	STUD-CAM SHAFT BEARING, LONGER	5		2L	
	22	0P224-82810	STUD-CAM SHAFT BEARING, NO X 1.25	5	25	2L	
	23	0P228-62210	STUD-CAM SHAFT BEARING, NO X 1.0	5	50	2L	
	24	11063-25500	STUD-ROCKER COVER	2	10	2L	
	25	11063-14610	STUD-ROCKER COVER	2	10	2L	Y
	26	0P223-02210	STUD-ALTERNATOR ADJUSTING BAR	1	50	2L	
	27	0P223-81610	STUD-FRONT PLATE	1	50	2L	
	28	0P228-61410	STUD-FRONT PLATE	3	50	2L	
	29	0P224-85510	STUD-WATER OUTLET	2	25	2L	
	30	13215-25500	PUSH-PIVOT	5	5	2L	
	31	0P228-63010	STUD-NO X 1.0	10	50	2L	
	32	0P915-43600	WASHER-PLAIN M6	10	50	2L	
	33	0P915-43610	WASHER-PLAIN M6	10	50	2L	Y
	34	13015-25500	WASHER-CAM SHAFT BRACKET CAP	10	10	2L	Y
	35	13099-25500	NUT-M6	10	10	2L	
	36	0P915-43810	WASHER-PLAIN M6	10	50	2L	
	37	0P911-20810	NUT-M6 X 1.25	10	50	2L	
	38	0P915-43600	WASHER-PLAIN	5	50	2L	
	39	0P915-43610	WASHER-PLAIN	5	50	2L	Y
	40	0P911-10610	NUT M6 X 1.0	5	50	2L	
	41	11044-25501	GASKET-CYLINDER HEAD	1	10	2L	

2-A-2

Printed in Japan

REVISED: SEPTEMBER, 1971

NISSAN MOTOR CO., LTD.

FIG. 2A

S	KEY NO.	PART NO.	PART NAME	QTY	SALES UNIT	MODEL	ICA
	42	11044-A7400	GASKET-CYLINDER HEAD	1	10	2L	Y
	43	11058-65000	WASHER-HEAD BOLT	5	10	2L	
	44	11058-25501	WASHER-HEAD BOLT	5	10	2L	Y
	45	11059-25500	WASHER-HEAD BOLT	5		2L	
	46	11059-25501	WASHER-HEAD BOLT	5	10	2L	Y
	47	11056-25500	BOLT-CYLINDER HEAD, LONG	5		2L	
	48	11056-25501	BOLT-CYLINDER HEAD, LONG	5	10	2L	Y
	49	11056-25502	BOLT-CYLINDER HEAD, LONG	5	5	2L	C
	50	11057-25500	BOLT-CYLINDER HEAD, LONG	5		2L	
	51	11057-25501	BOLT-CYLINDER HEAD, LONG	5	10	2L	Y
	52	11057-25502	BOLT-CYLINDER HEAD, LONG	5	5	2L	C
	53	0P915-43610	WASHER-PLAIN TO ATTACH FRONT COVER	2	50	2L	
	54	0P915-13610	WASHER-LOCK TO ATTACH FRONT COVER	2	50	2L	
	55	0P911-10610	NUT M6 X 1.0 TO ATTACH FRONT COVER	2	50	2L	
	56	10005-25500	SLINGER-ENGINE FRONT	1		2L	
	57	10006-25500	SLINGER-ENGINE REAR	1	1	2L	
	58	10006-25601	SLINGER-ENGINE REAR	1	5	2L	Y
	59	11046-25500	PLATE-HEAD FRONT	1		2L	
	60	11046-25501	PLATE-HEAD FRONT	1	1	2L	Y
	61	11047-25500	GASKET-HEAD FRONT	1		2L	
	62	11060-25500	OUTLET-ELBOW	1	1	2L	

2-A-3

Printed in Japan

REVISED: SEPTEMBER, 1971



FIG. 2A E5 NISSAN MOTOR CO., LTD.

S	KEY NO.	PART NO.	PART NAME	QTY	SALES UNIT	MODEL	ICA
	67	11060-25501	OUTLET-ELBOW	1	1 2L		Y
	68	11060-25600	OUTLET-WATER (FROM OCT -07)	1	1 SWLU		
	69	11061-25500	HOUSING-THERMOSTAT	1	1 2L		
	69	11062-73400	WASHER-JOINT, CYLINDER HEAD	1	10 2L		
	67	11062-25500	WASHER-JOINT, WATER OUTLET	1	10 2L		
	6P	21200-61001	ASSY-THERMOSTAT (82 DEGREES)	1	1 2L		
	69	21200-78500	ASSY-THERMOSTAT (82 DEGREES)	1	1 2L		Y
	70	21200-61000	ASSY-THERMOSTAT FOR THE COLD AREA (86 DEGREES)	1	1 OP, 2L		
	71	21200-78505	ASSY-THERMOSTAT FOR THE COLD AREA (86 DEGREES)	1	1 OP, 2L		Y
	72	21200-78506	ASSY-THERMOSTAT FOR THE COLD AREA (86 DEGREES)	1	1 OP, 2L		Y
	73	21200-61002	ASSY-THERMOSTAT FOR THE TROPICS (76.5 DEGREES)	1	1 OP, 2L		
	74	21200-78501	ASSY-THERMOSTAT FOR THE TROPICS (76.5 DEGREES)	1	1 OP, 2L		Y
	75	21200-78502	ASSY-THERMOSTAT FOR THE TROPICS (76.5 DEGREES)	1	1 OP, 2L		Y
	76	09911-10010	NUT-HEXAGON HD	2	50 2L		
	77	09915-13010	WASHER-SPRING, LOCK HA	2	50 2L		
	78	09919-43010	WASHER-PLAIN HD	2	50 2L		
	79	13264-25500	ASSY-COVER, VALVE ROCKE R FOR "SU"	1	1 2L		

REVISED: SEPTEMBER, 1971

2-A-4

Printed in Japan

NISSAN MOTOR CO., LTD.

FIG. 2A

S	KEY NO.	PART NO.	PART NAME	QTY	SALES UNIT	MODEL	ICA
	80	13264-25602	ASSY-COVER, VALVE ROCKE R FOR "SU"	1	1 2L		
	81	13270-25501	GASKET-ROCKER COVER	1	5 2L		
	82	13270-25500	GASKET-ROCKER COVER	1	1 2L		Y
	83	15255-15902	ASSY-CAP, OIL FILLER	1	2L		
	84	15255-15952	ASSY-CAP, OIL FILLER	1	1 2L		Y
	85	15255-15953	ASSY-CAP, OIL FILLER	1	5 2L		Y
	86	15270-36700	PACKING-OIL FILLER CAP	1	2L		
	87	15270-11200	PACKING-OIL FILLER CAP	1	10 2L		Y
	88	15270-83400	PACKING-OIL FILTER CAP	1	10 2L		
	89	13274-20100	NUT-CAP	2	5 2L		
	90	13275-20100	WASHER-CAP NUT	2	10 2L		
	91	13275-E0710	WASHER-CAP NUT	2	10 2L		Y
	92	13241-25602	CLAMP-VACUUM TUBE FORM "SU"	1	5 2L		
	93	09610-41610	RIVET-ROUND HEAD	9	50 2L		
	94	25251-30100	NUT-GRAND, THERMAL	1	10 1,6L		
	95	25251-37700	NUT-GRAND, THERMAL (FROM F/F R-0001)	1	10 ALL		N

REVISED: SEPTEMBER, 1971

2-A-5

Printed in Japan



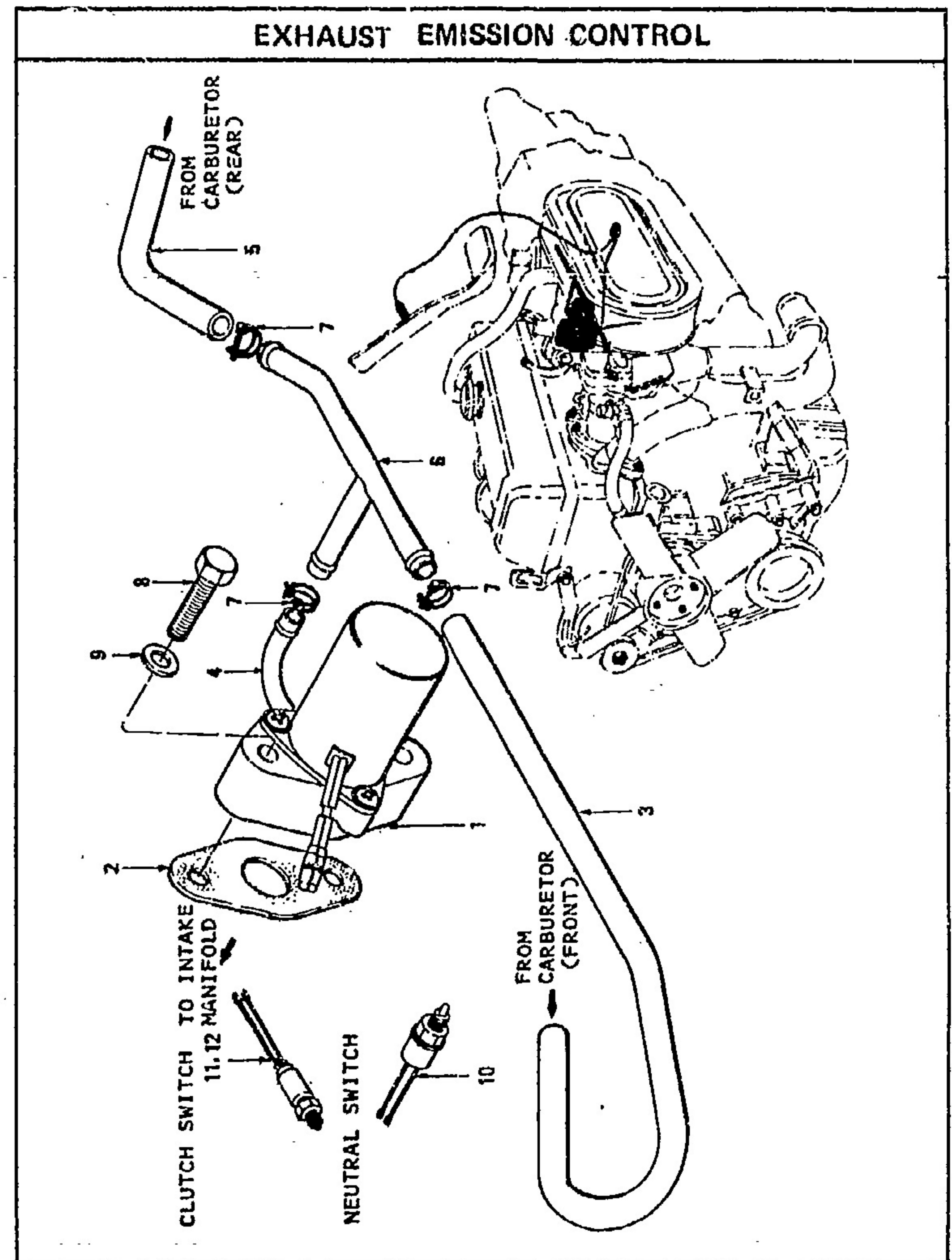
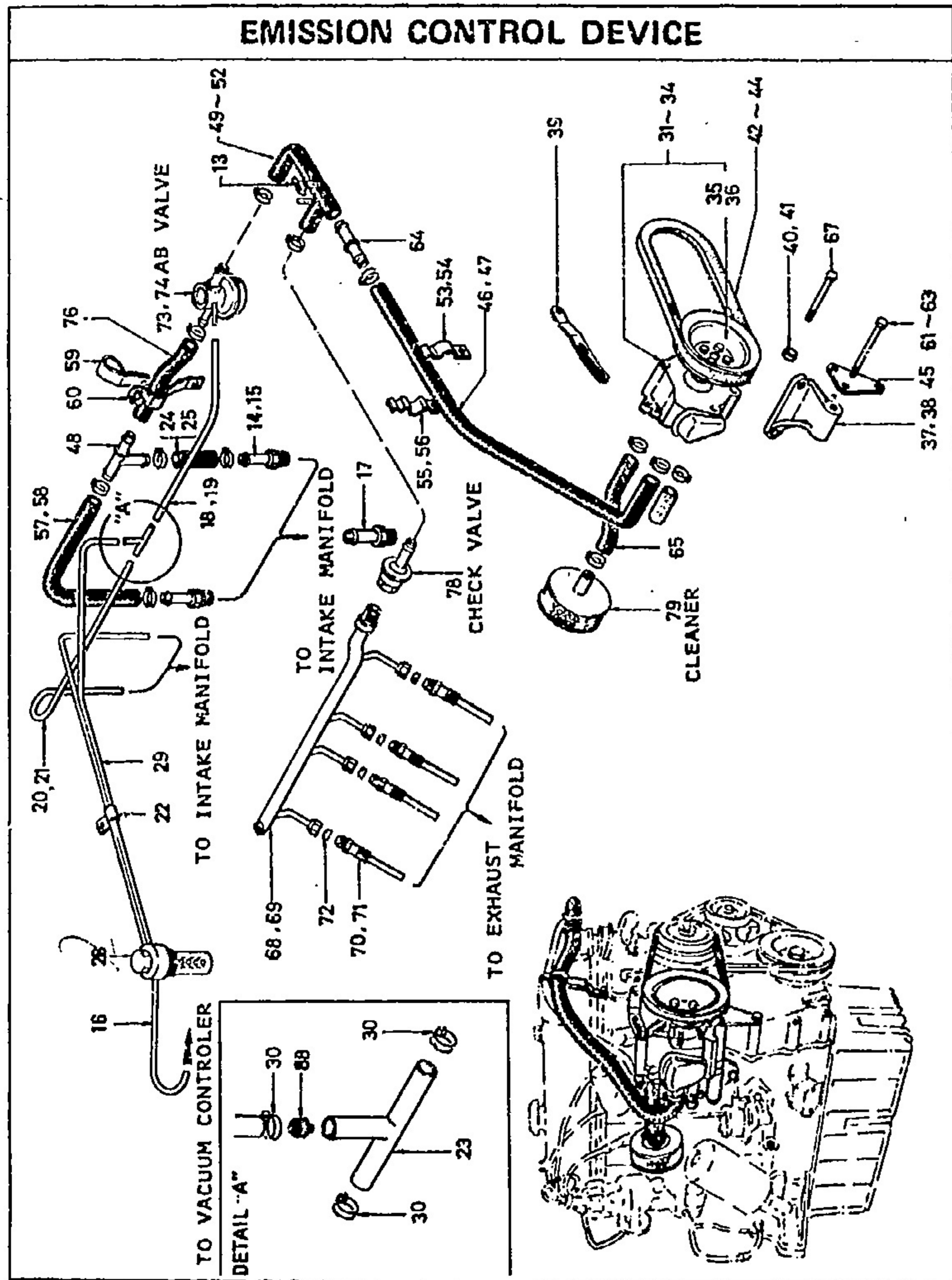
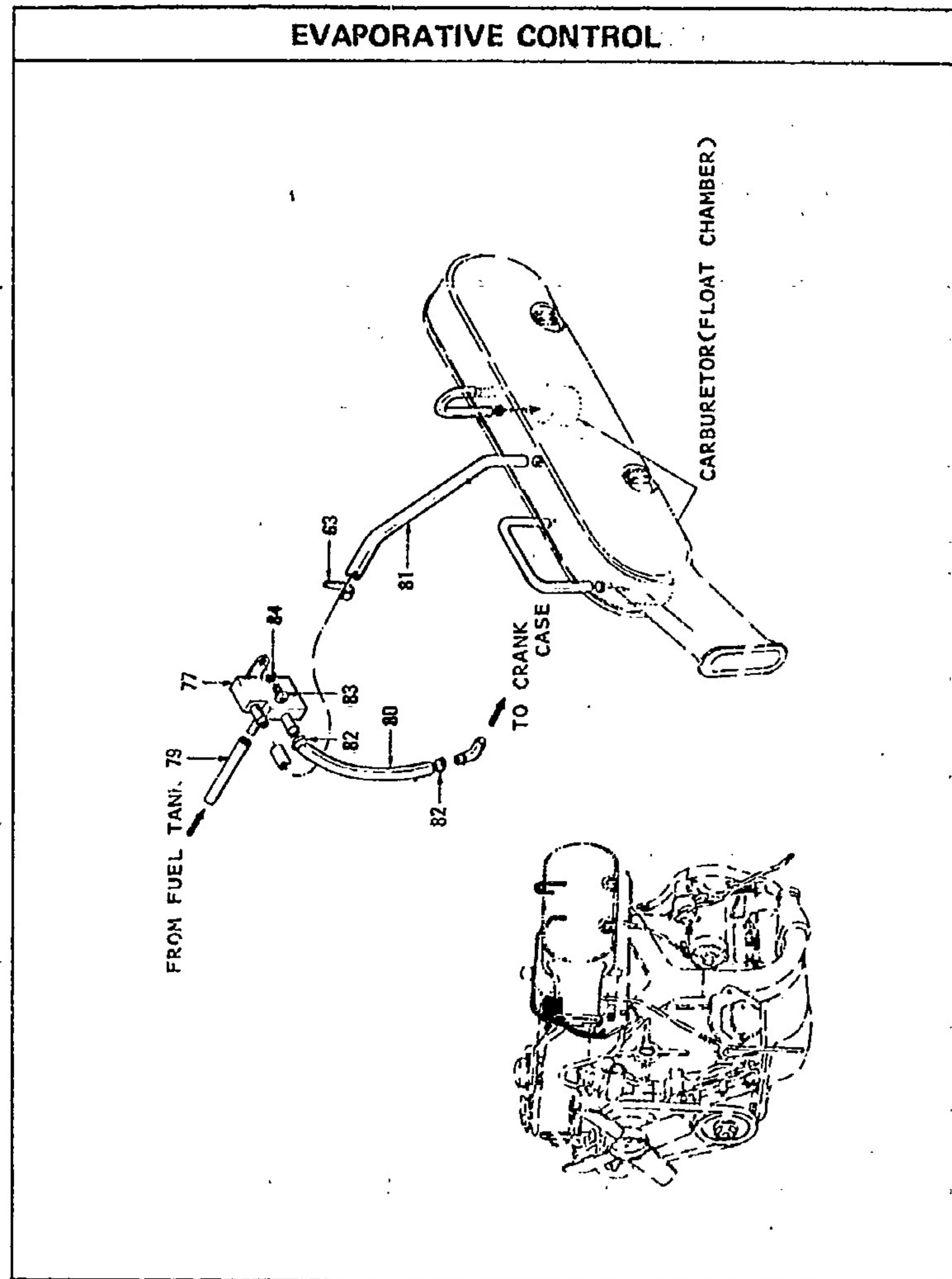




FIG. 2B-3 E7 NISSAN MOTOR CO., LTD.



NISSAN MOTOR CO., LTD.

FIG. 2B

KEY NO.	PART NO.	PART NAME	QTY	SALES UNIT	MODEL	ICA
<b>EMISSION CONTROL DEVICE (U.S.A. &amp; CANADA)</b>						
EXHAUST signifies <u>ONTARIO</u> and <u>USA</u> except <u>CAL.</u>						
EVAPO signifies <u>CALIFORNIA</u> in <u>USA.</u>						
1	14940-A7700	ASSY BY PASS VALVE	1	1	1.6L EXHAUST & EVAPO	
2	14942-A7700	GASKET-BY PASS VALVE	1	10	1.6L EXHAUST & EVAPO	
3	14944-A7700	TUBE-BY PASS FRONT	1	1	1.6L EXHAUST & EVAPO	
4	14945-A7700	TUBE-BY PASS CENTER	1	1	1.6L EXHAUST & EVAPO	
5	14946-A7700	TUBE-BY PASS REAR	1	1	1.6L EXHAUST & EVAPO	
6	14948-A7700	CONNECTOR 3-WAY	1	5	1.6L EXHAUST & EVAPO	
7	1439-A0600	HOSE CLAMP	6	10	1.6L EXHAUST & EVAPO	
8	02110-62010	BOLT HEX M6X1.0	2	50	1.6L EXHAUST & EVAPO	
9	0F915-13610	SPRING LOCK WASHER	2	50	1.6L EXHAUST & EVAPO	
10	3P006-A7700	ASSY NEUTRAL & 3RD 4TH GEAR SWITCH	2	1	1.6 EXHAUST & EVAPO	
11	25320-A5500	ASSY CLUTCH SWITCH (NOT ADOPTED)	1		1.6 EXHAUST & EVAPO	

DECEMBER, 1970

F2B-3

Printed in Japan

REVISED: SEPTEMBER, 1971

2-00 1

Printed in Japan



FIG. 2 B E8 NISSAN MOTOR CO., LTD.

S	KEY NO.	PART NO.	PART NAME	QTY	SALES UNIT	MODEL	ICA
	17	25320-A5501	ASSY CLUTCH SWITCH	1	1	1.6L EXHAUST & EVAPU	Y
	13	14896-25600	BAND-HOSE (FROM OCT-67)	1	10	EXHAUST & EVAPU	
	14	14875-25600	CONNECTOR-HOSE, MANIFOLD (FROM OCT-67)	2	10	EXHAUST & EVAPU	
	15	14875-A7700	CONNECTOR-HOSE, MANIFOLD	2	10	EXHAUST & EVAPU	Y
	16	14054-14700	TUBE-MANIFOLD TO WATER PUMP (FROM OCT-67)	1	1	1.6L EXHAUST & EVAPU	
	17	14875-25605	CONNECTOR-VAC TUBE (FROM OCT-67)	1	10	EXHAUST & EVAPU	
	18	14866-14700	HOSE-VAC, INTAKE MANIFOLD (FROM OCT-67)	1	5	1.6L EXHAUST & EVAPU	
	19	B7318-73002	HOSE-VAC, INTAKE MANIFOLD (LONG SIZE 5H)	1	5	1.6L EXHAUST & EVAPU	Y
	20	14866-25600	HOSE-VAC, INTAKE MANIFOLD (FROM OCT-67)	1	5	2L EXHAUST & EVAPU	
	21	B7318-73002	HOSE-VAC, INTAKE MANIFOLD (LONG SIZE 5H)	1	5	2L EXHAUST & EVAPU	Y
	22	14898-25600	CLAMP-VAC TUBE (FROM OCT-67)	1	10	2L EXHAUST & EVAPU	
	23	14888-25600	CONNECTOR-3 WAY (FROM OCT-67)	1	10	2L EXHAUST & EVAPU	
	24	14064-14700	HOSE-INTAKE MANIFOLD TO CONNECTOR (FROM OCT-67)	1	5	1.6L EXHAUST & EVAPU	
	25	14865-25601	HOSE-INTAKE MANIFOLD TO CONNECTOR (FROM OCT-67)	1	5	2L EXHAUST & EVAPU	
	26	14885-25600	TUBE-MODULATOR TO CARB (FROM OCT-67)	1	5	2L EXHAUST & EVAPU	
	27	B7318-73002	TUBE-MODULATOR TO CARB (LONG SIZE 5H)	1	5	2L EXHAUST & EVAPU	Y

REVISED: SEPTEMBER, 1971

2-R= 2

Printed in Japan

NISSAN MOTOR CO., LTD.

FIG. 2 C

S	KEY NO.	PART NO.	PART NAME	QTY	SALES UNIT	MODEL	ICA
	28	14890-25601	MODULATOR THERMAL (FROM OCT-67)	1	1	2L EXHAUST & EVAPU	
	29	14886-25600	TUBE-MODULATOR TO CONNECTOR (FROM OCT-67)	1	5	2L EXHAUST & EVAPU	
	30	14439-A0603	CLAMP-TUBE	1	10	2L EXHAUST & EVAPU	
	31	14800-14700	AIR PUMP W/PULLEY (FROM OCT-67)	1	1	1.6L EXHAUST	
	32	14800-14701	AIR PUMP W/PULLEY (ISO)	1	1	1.6L EXHAUST & EVAPU	Y
	33	14800-25600	AIR PUMP W/PULLEY (FROM OCT-67)	1	1	2L EXHAUST	
	34	14800-25601	AIR PUMP W/PULLEY (ISO)	1	1	2L EXHAUST & EVAPU	Y
	35	14850-14700	PULLEY-AIR PUMP (FROM OCT-67)	1	1	1.6L EXHAUST & EVAPU	
	36	14850-25600	PULLEY-AIR PUMP (FROM OCT-67)	1	1	2L EXHAUST & EVAPU	
	37	14840-25601	BRACKET-AIR PUMP (FROM OCT-67)	1	1	EXHAUST	
	38	14840-25602	BRACKET-AIR PUMP	1	1	EXHAUST & EVAPU	Y
	39	14841-25601	BAR-ADJUSTING AIR PUMP (FROM OCT-67)	1	1	EXHAUST & EVAPU	
	40	14849-14700	SPACER-AIR PUMP (FROM OCT-67)	2	5	1.6L EXHAUST & EVAPU	
	41	14849-25600	SPACER-AIR PUMP (FROM OCT-67)	2	10	2L EXHAUST & EVAPU	
	42	14853-25600	BELT-AIR PUMP 739MM (FROM OCT-67)	1	1	EXHAUST	
	43	14853-25601	BELT-AIR PUMP 730 MM	1	1	1.6L EXHAUST & EVAPU	Y
	44	14853-25602	BELT-AIR PUMP 720 MM	1	1	2L EXHAUST & EVAPU	Y

REVISED: SEPTEMBER, 1971

2-R= 3

Printed in Japan



FIG. 2B E9 NISSAN MOTOR CO., LTD.

S	KEY NO.	PART NO.	PART NAME	QTY	SALES UNIT	MODEL	ICA
	45	14843-25600	SUPPORT-AIR PUMP (FROM OCT-67)	1	1	EXHAUST & EVAP	
	46	14861-14701	HOSE-PUMP TO CHECK VALVE (FROM OCT-67)	1	5	1.6L EXHAUST & EVAP	
	47	14861-25602	HOSE-PUMP TO CHECK VALVE	1	5	2L EXHAUST & EVAP	
	48	14874-25600	CONNECTOR-3 WAY (FROM OCT-67)	1	5	EXHAUST & EVAP	
	49	14869-14700	HOSE-3 WAY (FROM OCT-67)	1	5	1.6L EXHAUST	
	50	14869-14701	HOSE-3 WAY (FROM OCT-67)	1	5	1.6L EXHAUST & EVAP	Y
	51	14869-25600	HOSE-3 WAY (FROM OCT-67)	1	5	2L EXHAUST	
	52	14869-25601	HOSE-3 WAY (FROM OCT-67)	1	5	2L EXHAUST & EVAP	Y
	53	14872-14700	CLAMP-HOSE, AIR PUMP (FROM OCT-67)	1	5	1.6L EXHAUST & EVAP	
	54	14872-A7700	CLAMP-HOSE, AIR PUMP	1	5	1.6L EXHAUST & EVAP	Y
	55	14873-A7700	CLAMP-HOSE, AIR PUMP	1	5	1.6L EXHAUST & EVAP	
	56	14872-25602	CLAMP-HOSE, AIR PUMP (FROM OCT-67)	1	5	2L EXHAUST & EVAP	
	57	14865-14700	HOSE-CONNECTOR TO MANIFOLD (FROM OCT-67)	1	5	1.6L EXHAUST & EVAP	
	58	14864-25601	HOSE-CONNECTOR TO MANIFOLD (FROM OCT-67)	1	5	2L EXHAUST & EVAP	
	59	14867-14701	CLAMP-HOSE (FROM OCT-67)	1	5	1.6L EXHAUST & EVAP	
	60	14867-25601	CLAMP-HOSE (FROM OCT-67)	1	5	2L EXHAUST & EVAP	
	61	14815-23000	BOLT-ADJUSTING BAR (FROM OCT-67)	1	10	EXHAUST	

2-8- 4

Printed in Japan

REVISED: SEPTEMBER, 1971

NISSAN MOTOR CO., LTD.

FIG. 2B

S	KEY NO.	PART NO.	PART NAME	QTY	SALES UNIT	MODEL	ICA
	62	14842-23000	BOLT-ADJUSTING BAR (FROM OCT-67)	1	10	EXHAUST & EVAP	Y
	63	14842-25600	BOLT-SPACER (FROM OCT-67)	1	10	EXHAUST & EVAP	
	64	14868-25600	CONNECTOR-AIR PUMP (FROM OCT-67)	1	10	EXHAUST & EVAP	
	65	14860-25601	HOSE-AIR CLEANER TO PUMP (FROM OCT-67)	1	5	EXHAUST & EVAP	
	66	14896-25601	RAND-HOSE (FROM OCT-67)	1	10	EXHAUST & EVAP	
	67	15287-14700	BOLT-AIR PUMP FIX (FROM OCT-67)	2	10	1.6L EXHAUST & EVAP	
	68	14820-14700	PIPE-AIR GALLERY (FROM OCT-67)	1	1	1.6L EXHAUST & EVAP	
	69	14820-25600	PIPE-AIR GALLERY (FROM OCT-67)	1	1	2L EXHAUST & EVAP	
	70	14825-14700	PIPE-AIR INJECTION (FROM OCT-67)	4	5	1.6L EXHAUST & EVAP	
	71	14825-25600	PIPE-AIR INJECTION (FROM OCT-67)	1	5	2L EXHAUST & EVAP	
	72	14826-25600	SEAT-INJECTION PIPE (FROM OCT-67)	4	10	EXHAUST & EVAP	
	73	14835-25600	AD VALVE (FROM OCT-67)	1	1	EXHAUST	
	74	14835-25601	AD VALVE	1	1	EXHAUST & EVAP	Y
	75	14889-25600	ORIFICE-AD VALVE (FROM OCT-67)	1	10	EXHAUST & EVAP	
	76	14863-14700	HOSE-AD VALVE TO CONNECTOR (FROM OCT-67)	1	5	1.6L EXHAUST & EVAP	
	77	14829-25600	NUT-CONNECTOR (FROM OCT-67)	4		EXHAUST & EVAP	
	78	14830-23001	CHECK VALVE (FROM OCT-67)	1	1	EXHAUST & EVAP	

2-8- 5

Printed in Japan

REVISED: SEPTEMBER, 1971

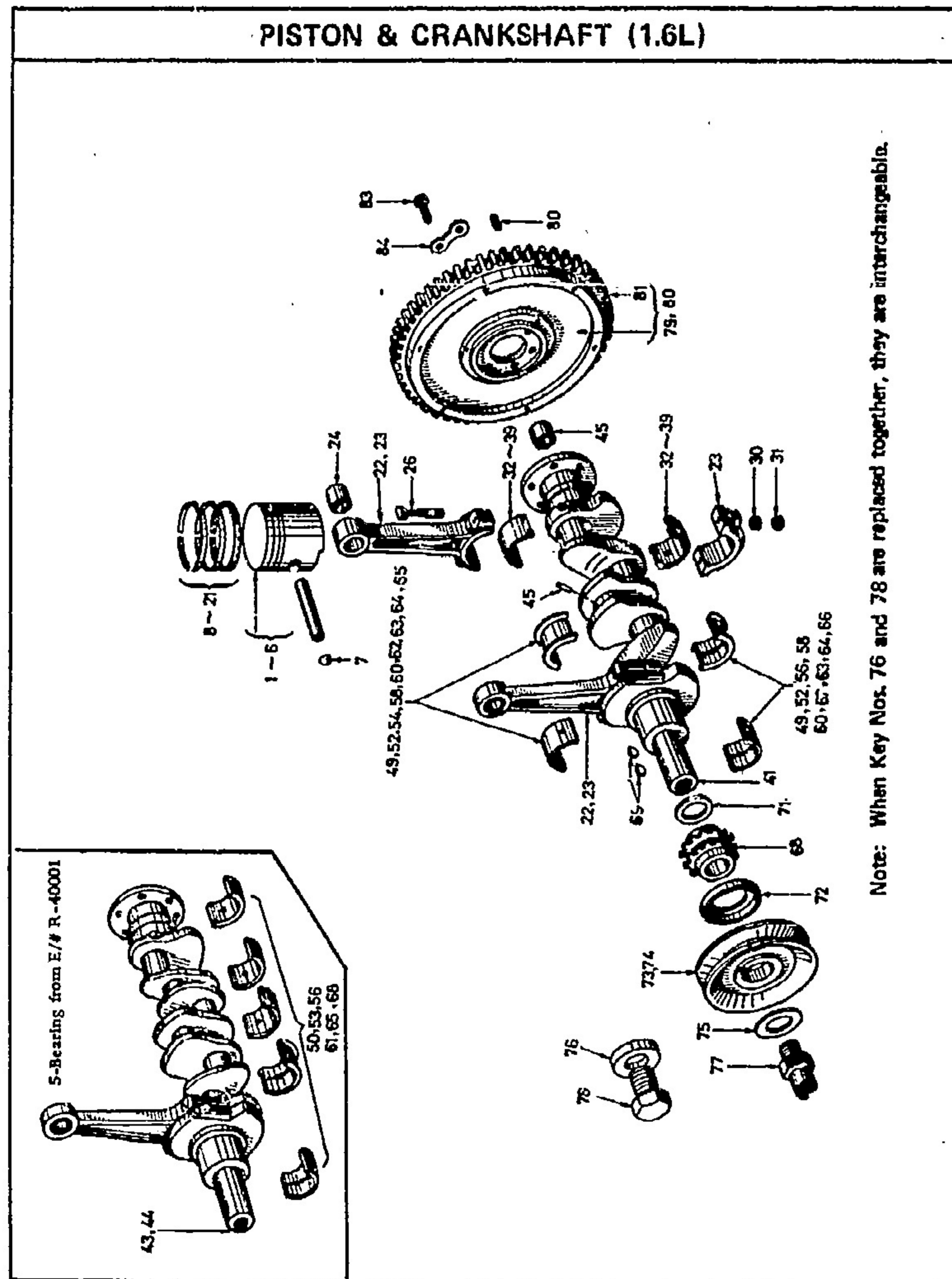


FIG. 2 B E10 NISSAN MOTOR CO., LTD.

S	KEY NO.	PART NO.	PART NAME	QTY	SALES UNIT	MODEL	ICA
	79	14880-25500	AIR CLEANER (FROM OCT-67) FOR SU	1	1	EXHAUST & EVAPD	
•	80	14910-A5500	ASSY FLOW GUIDE VALVE	1		EVAPD	
	81	14914-A5500	BRACKET FLOW GUIDE VALVE	1	1	EVAPD	
	82	14911-A5500	TUBE EVAPD CONTROL	1	5	EVAPD	
	83	14912-A7700	TUBE EVAPD CONTROL	1	5	EVAPD	
	84	14913-A7700	TUBE EVAPD CONTROL	1	5	EVAPD	
	85	14439-A0602	CLAMP-HOSE	4	10	EVAPD	
	86	00310-61012	SCREW M6X1.0	1	50	EVAPD	
	87	00915-13610	WASHER SPRING	1	50	EVAPD	
•	88	14296-12300	AMPESTER-FLAME	1	10	2L EXHAUST & EVAPD	



FIG. 3 E11 NISSAN MOTOR CO., LTD.



DECEMBER, 1970

F3 - 1

Printed in Japan

NISSAN MOTOR CO., LTD.

FIG. 3

KEY NO.	PART NO.	PART NAME	QTY	SALES UNIT	MODEL	ICA
<b>PISTON &amp; CRANKSHAFT (1.6L)</b>						
1	17010-14611	SET-PISTON, WITH PISTON PIN (STANDARD SIZE)	4	40	1.6L	
2	17010-14613	SET-PISTON, WITH PISTON PIN (0.25M/M OVER SIZE)	4	40	1.6L	
3	17010-14614	SET-PISTON, WITH PISTON PIN (0.50M/M OVER SIZE)	4	40	1.6L	
4	17010-14615	SET-PISTON, WITH PISTON PIN (0.75M/M OVER SIZE)	4	40	1.6L	
5	17010-14616	SET-PISTON, WITH PISTON PIN (1.00M/M OVER SIZE)	4	4	1.6L	
6	12010-14618	SET-PISTON, WITH PISTON PIN (1.50M/M OVER SIZE)	4	40	1.6L	
7	00922-22200	RING-SNAP, PISTON PIN	4	50	1.6L	
8	12033-14600	SET-RING, PISTON (STANDARD SIZE)	1	1	1.6L	
9	17035-14601	SET-RING, PISTON (STANDARD SIZE), RIK-VENT	1	1	1.6L	Y
10	12033-20100	SET-RING, PISTON (STANDARD SIZE), FOR RACE	1	1	1.6L	
11	17035-14600	SET-RING, PISTON (0.25M/M OVER SIZE)	1	1	1.6L	
12	17035-14601	SET-RING, PISTON (0.25M/M OVER SIZE), RIK-VENT	1	1	1.6L	
13	17036-14600	SET-RING, PISTON (0.50M/M OVER SIZE)	1	1	1.6L	
14	17036-14601	SET-RING, PISTON (0.50M/M OVER SIZE), RIK-VENT	1	1	1.6L	Y

REVISED: SEPTEMBER, 1971

3 - 1

Printed in Japan



FIG. 3 E12 NISSAN MOTOR CO., LTD.

S	KEY NO.	PART NO.	PART NAME	QTY	SALES UNIT	MODEL	ICA
	15	17037-14600	SET-RING,PISTON(0.75M/ M OVER SIZE)	1	1	1.6L	
	16	12037-14601	SET-RING,PISTON(0.75M/ M OVER SIZE),RIK-VENT	1	1	1.6L	Y
	17	17038-14600	SET-RING,PISTON(1.00M/ M OVER SIZE)	1	1	1.6L	
	18	17038-14601	SET-RING,PISTON(1.00M/ M OVER SIZE),RIK-VENT	1	1	1.6L	Y
	19	17039-14600	SET-RING,PISTON(1.25M/ M OVER SIZE)	1	1	1.6L	
	20	17040-14600	SET-RING,PISTON(1.50M/ M OVER SIZE)	1	1	1.6L	
	21	17040-14601	SET-RING,PISTON(1.50M/ M OVER SIZE),RIK-VENT	1	1	1.6L	Y
	22	17100-14650	ASSY-ROD,CONNECTING	4	1	1.6L	
	23	17100-B1100	ASSY-ROD,CONNECTING	4	1	1.6L	Y
	24	12030-32200	BUSHING,CONNECTING ROD SMALL END	4	0	1.6L	
	25	17109-32200	BOLT-CONNECTING ROD	8	10	1.6L	
	26	17109-14600	BOLT-CONNECTING ROD	8	10	1.6L	Y
	27	17109-E0700	BOLT-CONNECTING ROD	8	10	1.6L	Y
	28	17109-E0701	BOLT-CONNECTING ROD (TOKAISEIATU)	8	10	1.6L	Y
	29	17109-E0711	BOLT-CONNECTING ROD (TOKYORASI)	8	10	1.6L	
	30	00911-24610	NUT	8	50	1.6L	
	31	17112-58000	NUT-PAL	8	50	1.6L	
	32	17111-12210	BUSHING-CONNECTING ROD (STANDARD SIZE F770)	4	4	1.6L	
	33	17123-12210	BUSHING-CONNECTING ROD (0.02M/M UNDER SIZE F770)	8	10	1.6L	

3- - 2

Printed in Japan

REVISED: SEPTEMBER, 1971

NISSAN MOTOR CO., LTD.

FIG. 3

S	KEY NO.	PART NO.	PART NAME	QTY	SALES UNIT	MODEL	ICA
	34	12121-12210	BUSHING-CONNECTING ROD (0.00M/M UNDER SIZE F7 70)	8	4	1.6L	
	35	12122-12210	BUSHING-CONNECTING ROD (0.12M/M UNDER SIZE F7 70)	8	4	1.6L	
	36	12117-12210	BUSHING-CONNECTING ROD (0.20M/M UNDER SIZE F7 70)	8	10	1.6L	
	37	12118-12210	BUSHING-CONNECTING ROD (0.50M/M UNDER SIZE F7 70)	8	4	1.6L	
	38	12119-12210	BUSHING-CONNECTING ROD (0.75M/M UNDER SIZE F7 70)	8	4	1.6L	
	39	12120-12210	BUSHING-CONNECTING ROD (1.00M/M UNDER SIZE F7 70)	8	4	1.6L	
	40	12200-14600	COMP-SHAFT,CRANK (TO E /R R-40000)	1	1	1.6L	
	41	12200-74500	COMP-SHAFT,CRANK (TO E/R R-40000)	1	1	1.6L	Y
	42	12200-74711	COMP-SHAFT,CRANK(FROM E/R R-40001)	1	1	1.6L	N
	43	12200-74710	COMP-SHAFT,CRANK(FROM E/R R-40001)	1	1	1.6L	Y
	44	12200-A7410	COMP-SHAFT,CRANK	1	1	1.6L	Y
	45	00931-20610	PLUG-OIL GALLERY	4	10	1.6L	
	46	32202-30000	BUSHING-1ST MOTION SHA FT(NOT USED FROM E/R R -40001)	1	10	1.6L	
	47	32202-09500	BUSHING-NEEDLE PILOT,	1	1	1.6L	
	48	12207-12201	SET-BUSHING,CRANK SHAFT (STANDARD SIZE)F770,3 BEARINGS	1	1	1.6L	

3- - 3

Printed in Japan

REVISED: SEPTEMBER, 1971



FIG. 3 E13 NISSAN MOTOR CO., LTD.

S	KEY NO.	PART NO.	PART NAME	QTY	SALES UNIT	MODEL	ICA
	49	12207-73600	SET-BUSHING, CRANK SHAF T (STANDARD SIZE) F590, 3 BEARINGS	1	1	1.6L	Y
	50	12207-78400	SET-BUSHING, CRANK SHAF T (STANDARD SIZE) F770, 5 BEARINGS (FROM E/A R-4 0001)	1	1	1.6L	N
	51	12208-71200	SET-BEARING, CRANK SHAF T F200 U/S 0,02 MM, 3-B EARING	1	1	1.6L	Y
	52	12208-12201	SET-BEARING, CRANK SHAF T F200 U/S 0,02 MM, 3-B EARING	1	1	1.6L	Y
	53	12208-78400	SET-BUSH F770 U/S 0,02 MM 5-BEARING (FROM E/A R=40001)	1	1	1.6L	N
	54	12248-71200	BUSHING-MAIN BEARING F 500	2	2	1.6L	Y
	55	12209-73600	SET-BUSHING, CRANK SHAF T F770 U/S 0,25 MM, 3-B EARING	1	1	1.6L	N
	56	12209-12201	SET-BUSH, CRANK SHAFT F 500 U/S 0,25 MM, 3-BEAR ING	1	1	1.6L	Y
	57	12209-78400	SET-BUSHING, CRANK SHAF T (10,75H/M UNDER SIZE) F 770, 5 BEARINGS (FROM E/ R=40001)	1	1	1.6L	N
	58	12210-12201	SET-BEARING, CRANK SHAF T (10,50H/M UNDER SIZE) F 590, 3 BEARINGS	1	1	1.6L	Y
	59	12210-73600	SET-BEARING, CRANK SHAF T (10,50H/M UNDER SIZE) F 770, 3 BEARINGS	1	1	1.6L	Y
	60	12210-12201	SET-BERG, CRANK SHAFT (10 ,50H/M UNDER SIZE) F770 , 3 BERG	1	1	1.6L	Y

REVISED: SEPTEMBER, 1971

3 - 4

Printed in Japan

NISSAN MOTOR CO., LTD.

FIG. 3

S	KEY NO.	PART NO.	PART NAME	QTY	SALES UNIT	MODEL	ICA
	61	12210-78400	SET-BEARING, CRANK SHAF T (10,50H/M UNDER SIZE) F 770, 3 BEARINGS (FROM E/ R=40001)	1	1	1.6L	N
	62	12211-12201	SET-BEARING, CRANK SHAF T (10,75H/M UNDER SIZE) F 590, 3 BEARINGS	1	1	1.6L	Y
	63	12211-73600	SET-BEARING, CRANK SHAF T (10,75H/M UNDER SIZE) F 770, 3 BEARINGS	1	1	1.6L	Y
	64	12211-12201	SET-BERG, CRANK SHAFT (1 0,75H/M UNDER SIZE) F77 0, 3 BERG	1	1	1.6L	Y
	65	12211-78400	SET-BEARING, CRANK SHAF T (10,75H/M UNDER SIZE) F 770, 3 BEARINGS (FROM E/ R=40001)	1	1	1.6L	N
	66	12212-12201	SET-BUSHING, CRANK SHAF T (12,00H/M UNDER SIZE) F 590, 3 BEARINGS	1	1	1.6L	Y
	67	12212-73600	SET-BUSHING, CRANK SHAF T (12,00H/M UNDER SIZE) F 770, 3 BEARINGS	1	1	1.6L	Y
	68	12212-78400	SET-BUSHING, CRANK SHAF T (12,00H/M UNDER SIZE) F 770, 3 BEARINGS (FROM E/ R=40001)	1	1	1.6L	N
	69	00926-51600	KEY-WOODRUFF	2	10	1.6L	Y
	70	12021-32200	GEAR-CRANK	2	1	1.6L	Y
	71	12299-32200	SHIM-CRANK GEAR	AM	50	1.6L	Y
	72	12302-32200	OIL THROWER-CRANK SHAF T	1	50	1.6L	Y
	73	12303-32200	PULLEY-CRANK SHAFT	1	1	1.6L	Y
	74	12303-14700	PULLEY-CRANK 130MM	1	1	SPLU	Y
	75	12308-32200	WASHER-LOCK, STARTING N UT	1	10	1.6L	Y

REVISED: SEPTEMBER, 1971

3 - 5

Printed in Japan



FIG. 3 E14 NISSAN MOTOR CO., LTD.

S	KEY NO.	PART NO.	PART NAME	QTY	SALES UNIT	MODEL	ICA
	76	17308-65000	WASHER-LOCK, STARTING NUT	1	50	1.6L	C
	77	17309-12200	NUT-STARTING FOR CRANK HANDLE	1	2	1.6L	
	78	17309-12200	NUT-STARTING NUT FOR CRANK HANDLE	1	2	1.6L	C
	79	17310-14600	COMP.-FLY WHEEL	1	1	1.6L	
	80	17310-18810	COMP.-FLY WHEEL (FROM E / 2 N-40001)	1		1.6L	N
	81	17312-61000	GLASS-RING, FLY WHEEL	1	1	1.6L	
	82	17313-10600	BUHEL-CLUTCH TO FLY WHEEL	2	10	1.6L	
	83	0134-62510	BOLT	6	50	1.6L	
	84	17314-30000	PLATE-LOCK, FLY WHEEL BOLT	3	50	1.6L	

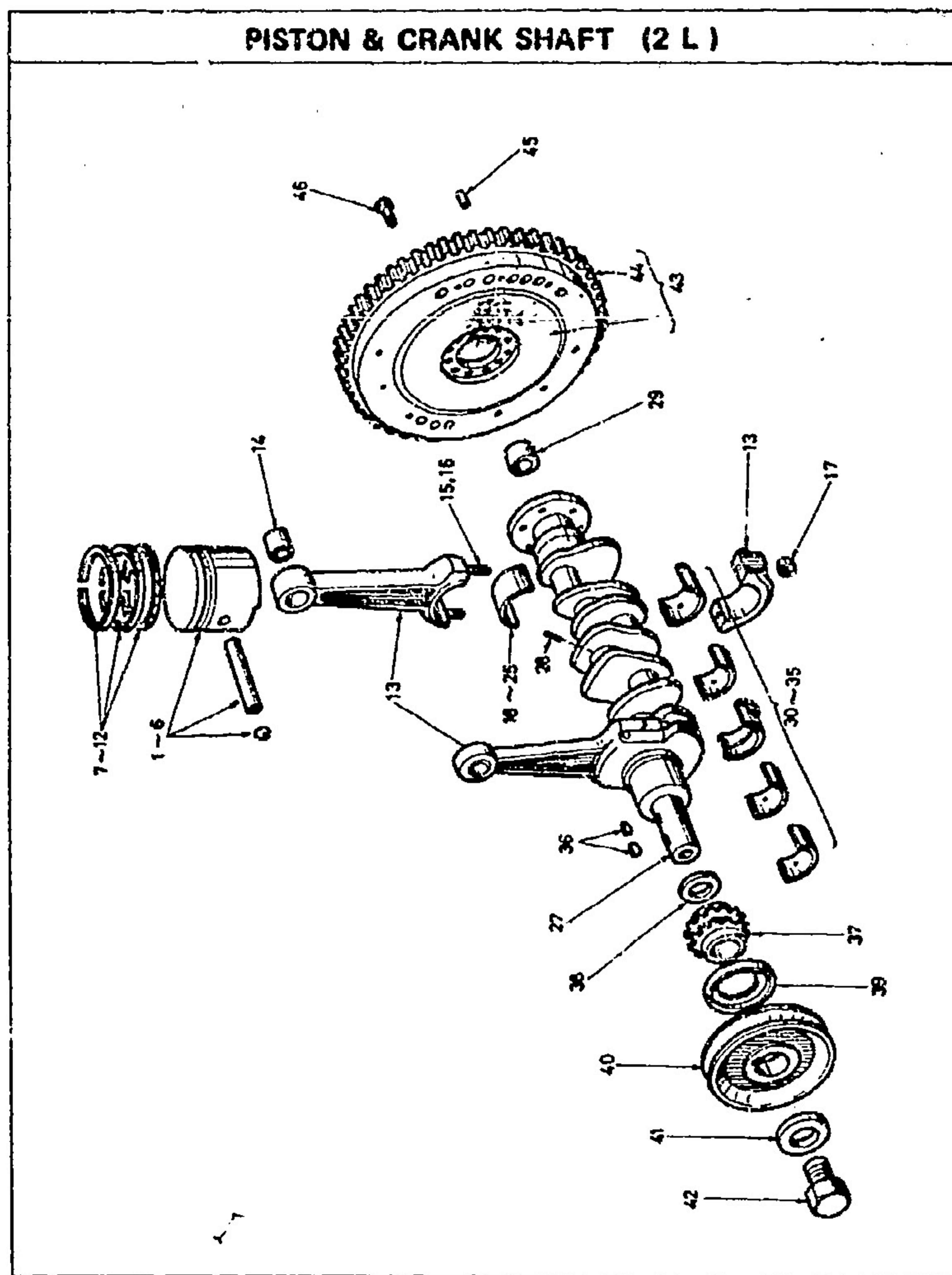
REVISED: SEPTEMBER, 1971

3 - 6

Printed in Japan



FIG. 3A E15 NISSAN MOTOR CO., LTD.



F3A-1

MARCH, 1970

Printed in Japan

NISSAN MOTOR CO., LTD.

FIG. 3A

KEY NO.	PART NO.	PART NAME	QTY	SALES UNIT	MODEL	ICA
<b>PISTON &amp; CRANKSHAFT (2L)</b>						
1	17010-25511	SET-PISTON W/PIN STD	4	4 2L		
2	17010-25512	SET-PISTON W/PIN O/S 0.25	4	4 2L		
3	17010-25513	SET-PISTON W/PIN O/S 0.50	4	4 2L		
4	17010-25514	SET-PISTON W/PIN O/S 0.75	4	4 2L		
5	17010-25515	SET-PISTON W/PIN O/S 1.00	4	4 2L		
6	17010-25517	SET-PISTON W/PIN O/S 1.50	4	4 2L		
7	17033-25502	SET-RING STD	1	1 2L		
8	17035-25501	SET-RING O/S 0.25	1	1 2L		
9	17036-25501	SET-RING O/S 0.50	1	1 2L		
10	17037-25501	SET-RING O/S 0.75	1	1 2L		
11	17038-25501	SET-RING O/S 1.00	1	1 2L		
12	17040-25501	SET-RING O/S 1.50	2	2 2L		
13	17100-25500	ASSY-ROD,CONNECTING	4	1 2L		
14	17033-32200	BUSH-SMALL END	4	8 2L		
15	17109-25500	ROD-CONNECTING ROD (STD)	8	10 2L		
16	17109-A7400	ROD-CONNECTING ROD (PT)	8	10 2L		Y
17	17113-25500	NUT-CONNECTING ROD	8	10 2L		
18	17111-12210	BUSHIN.-CONNECTING ROD (STANDARD)F770	8	4 2L		

REVISED: SEPTEMBER, 1971

3-A-1

Printed in Japan



FIG. 3 A E16 NISSAN MOTOR CO., LTD.

S KEY NO.	PART NO.	PART NAME	QTY	SALES UNIT	MODEL	ICA
19	17111-25510	PUSHING-CONNECTING ROD (STANDARD) F770	8	4	OP, 2L	
20	17121-12210	PUSHING CONNECTING ROD (0.08 UNDER SIZE) F770	8	4	2L	
21	17122-12210	PUSHING CONNECTING ROD (0.12 UNDER SIZE) F770	8	4	2L	
22	17117-12210	PUSHING CONNECTING ROD (0.25 UNDER SIZE) F770	8	10	2L	
23	17118-12210	PUSHING CONNECTING ROD (0.50 UNDER SIZE) F770	8	4	2L	
24	17119-12210	PUSHING CONNECTING ROD (0.75 UNDER SIZE) F770	8	4	2L	
25	17120-12210	PUSHING CONNECTING ROD (1.00 UNDER SIZE) F770	8	4	2L	
26	17200-25500	ASSY-SHAFT, CRANK	1	1	2L	
27	17200-47400	ASSY-SHAFT, CRANK	1		2L	Y
28	00931-20610	PLUG-OIL GALLERY	4	10	2L	
29	37202-30000	PUSH-PILOT BEARING	1	10	2L	
30	17207-78400	SET-BUSHING, CRANK SHAFT (STANDARD) F770	1	1	2L	
31	17207-25510	SET-BUSHING, CRANK SHAFT (STANDARD) F770	1	1	OP 2L	
32	17209-78400	SET BUSHING CRANK SHAFT (0.25 UNDER SIZE) F770	1	1	2L	
33	17210-78400	SET BUSHING CRANK SHAFT (0.5 UNDER SIZE) F770	1	1	2L	
34	17211-78400	SET BUSHING CRANK SHAFT (0.75 UNDER SIZE) F770	1	1	2L	
35	17212-78400	SET BUSHING CRANK SHAFT (1.0 UNDER SIZE) F770	1	1	2L	

REVISED: SEPTEMBER, 1971

3-3-2

Printed in Japan

NISSAN MOTOR CO., LTD.

FIG. 3 A

S KEY NO.	PART NO.	PART NAME	QTY	SALES UNIT	MODEL	ICA
36	00926-51600	KEY-WOODRUFF 5 X 16	2	10	2L	
37	17021-20100	GEAR-CRANK	2	1	2L	
38	17299-32200	SHIM-CRANK GEAR	AR	50	2L	
39	17302-20100	THROWER-OIL CRANK	1		2L	
40	17303-25500	ASSY-PULLEY WITH DAMPER	1	1	2L	
41	17308-65000	WASHER-CRANK PULLEY	1	5	2L	
42	17309-66600	BOLT-PULLEY	1	2	2L	
43	17310-25500	ASSY-FLY WHEEL	1	1	2L	
44	17312-61000	GEAR-RING, FLY WHEEL	1	1	2L	
45	17313-10600	ROD-FLY WHEEL TO CLUTCH	3	10	2L	
46	17315-25500	BOLT-SOCKET HEAD	12	10	2L	

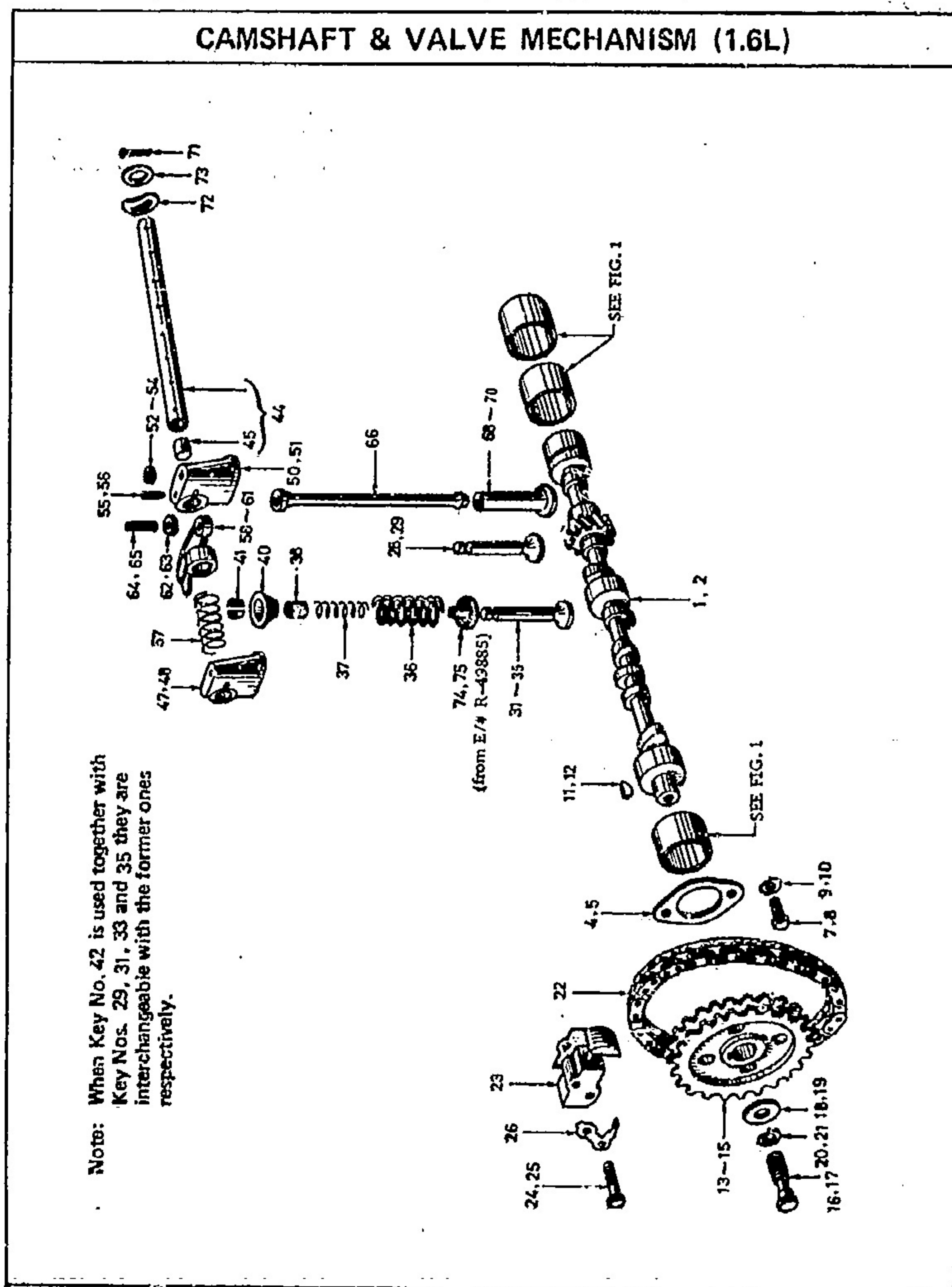
REVISED: SEPTEMBER, 1971

3-3-3

Printed in Japan



FIG. 4 F1 NISSAN MOTOR CO., LTD.



JUNE, 1972

F4 - 1

Printed in Japan

NISSAN MOTOR CO., LTD.

FIG. 4

S	KEY NO.	PART NO.	PART NAME	QTY	SALES UNIT	MODEL	ICA
<b>CAMSHAFT &amp; VALVE MECHANISM (1.6L)</b>							
	1	13001-12900	CAM SHAFT	1	1	1.6L	
	2	13001-16810	CAM SHAFT (FROM E/W R-40001)	1	1	1.6L	N
	3	13010-32200	PLATE-LOCATING, CAM SHAFT	1	10	1.6L	
	4	13010-76200	PLATE-LOCATING, CAM SHAFT	1	5	1.6L	Y
	5	13010-76201	PLATE-LOCATING, CAM SHAFT	1	5	1.6L	Y
	6	13010-78200	PLATE-LOCATING, CAM SHAFT (FROM E/W R-40001)	1	5	1.6L	N
	7	00111-41800	SCREW-SET	2	50	1.6L	
	8	00120-61810	SCREW-SET (FROM E/W R-40001)	2		1.6L	N
	9	00915-11410	WASHER-LOCK	2	50	1.6L	
	10	00915-13610	WASHER-LOCK (FROM E/W R-40001)	2	50	1.6L	N
	11	13032-30000	KEY-CAM SHAFT	1	10	1.6L	
	12	00926-41610	KEY-CAM SHAFT (FROM E/W R-40001)	1	50	1.6L	N
	13	13024-32200	GEAR-CAM SHAFT	1	1	1.6L	
	14	13024-73600	GEAR-CAM SHAFT	1	1	1.6L	N
	15	13024-78200	GEAR-CAM SHAFT (FROM E/W R-40001)	1	1	1.6L	N
	16	13082-00J00	BOLT-CAM SHAFT GEAR	1	10	1.6L	
	17	13012-78200	BOLT-CAM SHAFT GEAR (FROM E/W R-40001)	1	5	1.6L	N
	18	13030-08000	WASHER-CAM SHAFT GEAR	1	50	1.6L	

REVISED: JUNE, 1972

4 - 1

Printed in Japan



FIG. 4 F2 NISSAN MOTOR CO., LTD.

S	KEY NO.	PART NO.	PART NAME	QTY	SALES UNIT	MODEL	ICA
	19	13013-78200	WASHER-CAM SHAFT GEAR (FROM E/# R-40001)	1	10	1.6L	N
	20	00915-11610	WASHER-LOCK	1	50	1.6L	
	21	00915-14010	WASHER-LOCK (FROM E/# R-40031)	1	50	1.6L	N
	22	13026-32200	CHAIN-CAM SHAFT	1	1	1.6L	
	23	13070-32200	ASSY-TENSIONER, CHAIN	1	1	1.6L	
	24	00111-43000	SET-SCREW, CHAIN TENSIONER	2	50	1.6L	
	25	08120-63810	SET-SCREW, CHAIN TENSIONER (FROM E/# R-40001)	2	50	1.6L	N
	26	13078-32200	WASHER-LOCK	1	50	1.6L	
	27	13201-12900	VALVE-INTAKE STD (TO E/# R-49884)	4	4	1.6L	
	28	13201-14601	VALVE-INTAKE STD (FROM E/# R-49885)	4	4	1.6L	C
	29	13201-66700	VALVE-INTAKE STD	4	4	1.6L	Y
	30	13202-12200	VALVE-EXHAUST (STANDARD SIZE)	4	4	1.6L	
	31	13202-66700	VALVE-EXHAUST (STANDARD SIZE)	4	4	1.6L	C
	32	13202-12201	VALVE-EXHAUST (0.2H/H OVER SIZE)	4	4	1.6L	
	33	13202-66701	VALVE-EXHAUST (0.2H/H OVER SIZE)	4	4	1.6L	C
	34	13202-12202	VALVE-EXHAUST (0.4H/H OVER SIZE)	4	4	1.6L	
	35	13202-66702	VALVE-EXHAUST (0.4H/H OVER SIZE)	4	4	1.6L	C
	36	13203-32200	SPRING-VALVE, OUTER	8	10	1.6L	
	37	13204-08100	SPRING-VALVE, INNER	8	10	1.6L	
	38	13207-12200	RING-RUBBER, VALVE	8	20	1.6L	

REVISED: JUNE, 1972

4 - 2

Printed in Japan

NISSAN MOTOR CO., LTD.

FIG. 4

S	KEY NO.	PART NO.	PART NAME	QTY	SALES UNIT	MODEL	ICA
	39	13209-12900	RETAINER-VALVE SPRING	8	5	1.6L	
	40	13209-78200	RETAINER-VALVE SPRING	8	10	1.6L	Y
	41	13210-12200	COLLET-VALVE	16	10	1.6L	
	42	13205-14600	SEAT-VALVE, SPRING, OUTER	8	10	1.6L	
	43	13206-14600	SEAT-VALVE, SPRING, INNER	8	10	1.6L	
	44	13252-12200	ASSY-SHAFT, ROCKER	1	1	1.6L	
	45	13254-58000	PLUG-EXPANSION, ROCKER SHAFT	2	50	1.6L	
	46	13222-12200	BRACKET-ROCKER SHAFT (TO E/# R-40000)	3	1	1.6L	
	47	13222-38700	BRACKET-ROCKER SHAFT (TO E/# R-40000)	3	1	1.6L	Y
	48	13222-16810	BRACKET-ROCKER SHAFT (FROM E/# R-40001)	3	10	1.6L	N
	49	13223-12200	BRACKET-ROCKER SHAFT (TAPPED)	1	1	1.6L	
	50	13223-12201	BRACKET-ROCKER SHAFT (TAPPED) (TO E/# R-40000)	1	1	1.6L	Y
	51	13223-16810	BRACKET-ROCKER SHAFT (TAPPED) (FROM E/# R-40001)	1	1	1.6L	N
	52	00911-24710	NUT-ROCKER BRACKET (TO E/# R-40000)	4	50	1.6L	
	53	00911-24010	NUT-ROCKER BRACKET (FROM E/# R-40001)	4	50	1.6L	N
	54	21107-E4200	NUT-ROCKER BRACKET	4	10	1.6L	Y
	55	13226-58000	SCREW-SET, ROCKER SHAFT (TO E/# R-40000)	1	20	1.6L	
	56	13226-78200	SCREW-SET, ROCKER SHAFT (FROM E/# R-40001)	1	10	1.6L	N

REVISED: JUNE, 1972

4 - 3

Printed in Japan



FIG. 4 F3 NISSAN MOTOR CO., LTD.

S	KEY NO.	PART NO.	PART NAME	QTY	SALES UNIT	MODEL	ICA
	57	13254-58000	SPRING-INSIDE, VALVE ROCKER	3	20	1.6L	
	58	13258-12200	ROCKER-VALVE RH(TO E/N R-40000)	4	5	1.6L	
	59	13258-78200	ROCKER-VALVE(R.H.)(FROM E/N R-40001)	4	2	1.6L	N
	60	13259-12200	ROCKER-VALVE LH(TO E/N R-40000)	4	2	1.6L	
	61	13259-78200	ROCKER-VALVE(L.H.)(FROM E/N R-40001)	4	2	1.6L	N
	62	13280-58000	NUT-VALVE ROCKER(TO E/N R-40001)	8	10	1.6L	
	63	13235-78200	NUT-VALVE ROCKER(FROM E/N R-40001)	8	50	1.6L	N
	64	13287-58000	SCREW-ADJUST, VALVE ROCKER(TO E/N R-40000)	2	10	1.6L	
	65	13234-78200	SCREW-ADJUST, VALVE ROCKER(FROM E/N R-40001)	8	10	1.6L	N
	66	13238-12200	ROD-PUSH	8	10	1.6L	
	67	13231-12900	LIFTER-VALVE	8	8	1.6L	
	68	13231-12901	LIFTER-VALVE	8	8	1.6L	Y
	69	13231-32200	LIFTER-VALVE	8	10	1.6L	Y
	70	13231-78200	LIFTER-VALVE	8	4	1.6L	Y
	71	00921-22310	PIN-SPLIT, VALVE ROCKER SHAFT	2	50	1.6L	
	77	13235-58000	SPRING-OUTSIDE, VALVE ROCKER	2	50	1.6L	
	73	13289-58000	WASHER-ROCKER SHAFT	2	50	1.6L	
	74	13207-12910	SEAL-LIP VALVE (TO E/N R-49884)	5	5	1.6L	
	75	13207-66700	SEAL-LIP, VALVE (NOK) (FROM E/N R-49885)	5	5	1.6L	N

REVISED: JUNE, 1972

4 - 4

Printed in Japan

NISSAN MOTOR CO., LTD.

FIG. 4

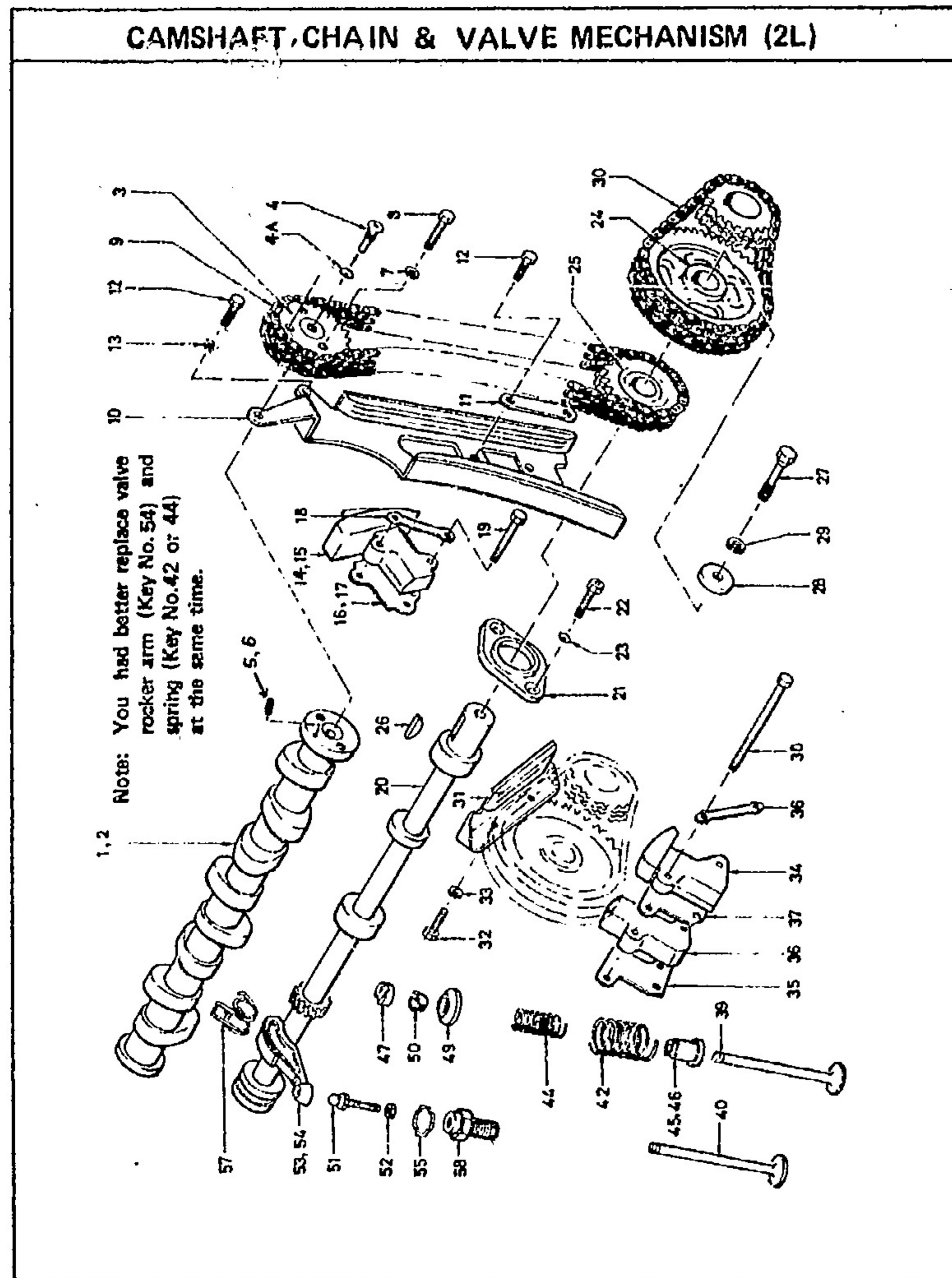
S	KEY NO.	PART NO.	PART NAME	QTY	SALES UNIT	MODEL	ICA
	76	13207-66710	SEAL-LIP, VALVE (NOK) (FROM E/N R-49885)	5	5	1.6L	

REVISED: JUNE, 1972

4 - 5

Printed in Japan





S	KEY NO.	PART NO.	PART NAME	QTY	SALES UNIT	MODEL	ICA
		<b>CAMSHAFT, CHAIN &amp; VALVE MECHANISM (2L)</b>					
	1	13001-25500	CAM SHAFT FOR SOLEX CARBURETOR	1	1 2L		
	2	13001-25600	CAM SHAFT FOR SU CARBURETOR	1	1 2L		
	3	13024-25500	GEAR-CAM SHAFT	1	1 2L		
	4	13025-25500	SCREW-CAM SHAFT GEAR	1	10 2L		
	5	08916-43610	WASHER-TOOTH LOCK	1	50 2L		
	6	00933-20800	PLUG-BLIND, CAM GEAR	1	10 2L		
	7	00933-20850	PLUG-BLIND, CAM GEAR	1	10 2L		Y
	8	08915-13810	WASHER-SPRING	2	50 2L		
	9	08110-02210	BOLT M6 X 1.25	2	50 2L		
	10	13028-25500	CHAIN-CAM SHAFT, 94 LINKS	1	1 2L		
	11	13060-25500	GUIDE-CHAIN UPPER	1	1 2L		
	12	13063-25500	PLATE-LOCK	1	10 2L		
	13	08110-61410	BOLT M6 X 1.0	3	50 2L		
	14	08915-13610	WASHER-SPRING M6	1	50 2L		
	15	13080-25500	ASSY-TENSIONER, CHAIN, UPPER	1	1 2L		
	16	13080-25501	ASSY-TENSIONER, CHAIN, UPPER	1	1 2L		Y
	17	13082-25500	GASKET-CHAIN TENSIONER	1	50 2L		
	18	13082-25501	GASKET-CHAIN TENSIONER (FROM JULY-69)	1	10 2L		H
	19	13083-25500	PLATE-LOCK	1	10 2L		
	20	08110-63810	BOLT M6 X 1.0	2	50 2L		
	21	13030-25500	JACK SHAFT	1	1 2L		



FIG. 4A F5 NISSAN MOTOR CO., LTD.

S KEY NO.	PART NO.	PART NAME	QTY	SALES UNIT	MODEL	ICA
21	13031-25500	PLATE-JACK SHAFT LOCATING	1	5	2L	
22	04328-61012	SCREW M6 X 3.0	2	50	2L	
23	04916-13610	WASHER-TOOTHED M6	2	50	2L	
24	13035-25500	GEAR-JACK SHAFT, FRONT	1	1	2L	
25	13036-25500	GEAR-JACK SHAFT, REAR	1	1	2L	
26	04926-41610	KEY-WOODRUFF	2	10	2L	
27	13012-78200	BOLT-JACK SHAFT GEAR	1	5	2L	
28	13013-25500	WASHER-JACK SHAFT GEAR T4.5	1		2L	
29	04915-14010	WASHER-SPRING M10	1	50	2L	
30	13028-73600	CHAIN-JACK SHAFT 54 LINKS	1	1	2L	
31	13068-25500	GUIDE-CHAIN, LOWER T3.2	1	1	2L	
32	04110-61410	BOLT M6 X 1.0	2	50	2L	
33	04915-13610	WASHER-SPRING M6	2	50	2L	
34	13070-25500	ASSY-TENSIONER, CHAIN, LOWER	1	1	2L	
35	13079-32200	GASKET-CHAIN TENSIONER (FIBER)	2	50	2L	
36	13085-20100	SPACER-CHAIN TENSIONER	1	1	2L	
37	13078-32200	WASHER-LOCK	1	50	2L	
38	13074-25500	BOLT M6 X 1.0	2	10	2L	
39	13201-25500	VALVE-INTAKE	4	4	2L	
40	13202-25500	VALVE-EXHAUST	4	4	2L	
41	13203-25501	SPRING-VALVE OUTER	8	5	2L	
42	13203-25502	SPRING-VALVE OUTER	8	10	2L	Y
43	13204-25501	SPRING-VALVE, INNER	8	10	2L	

REVISED: SEPTEMBER, 1971

4-A-2

Printed in Japan

NISSAN MOTOR CO., LTD.

FIG. 4A

S KEY NO.	PART NO.	PART NAME	QTY	SALES UNIT	MODEL	ICA
44	13204-25502	SPRING-VALVE, INNER	8	10	2L	Y
45	13207-66700	SEAL-LIP, VALVE OIL	8	5	2L	
46	13207-66710	SEAL-LIP, VALVE OIL (NOK)	8	5	2L	
47	13208-20100	GUIDE-ROCKER	8	10	2L	
48	13209-20100	RETAINER-VALVE SPRING	8	5	2L	
49	13209-25500	RETAINER-VALVE SPRING	8	5	2L	Y
50	13210-12200	CULLET-VALVE	16	10	2L	
51	13234-25500	PIVOT-ROCKER	8	10	2L	
52	13235-25500	NUT-LOCK PIVOT	8	10	2L	
53	13258-25500	ARM-VALVE PUCKER	8	5	2L	
54	13257-25501	ARM-VALVE ROCKER	8	5	2L	Y
55	13255-25500	RETAINER-ROCKER SPRING	4	10	2L	
56	13256-25500	SPRING-ROCKER	8	10	2L	
57	13256-25501	SPRING-ROCKER	8	5	2L	Y
58	13215-25500	RUSH-PIVOT	8	5	2L	

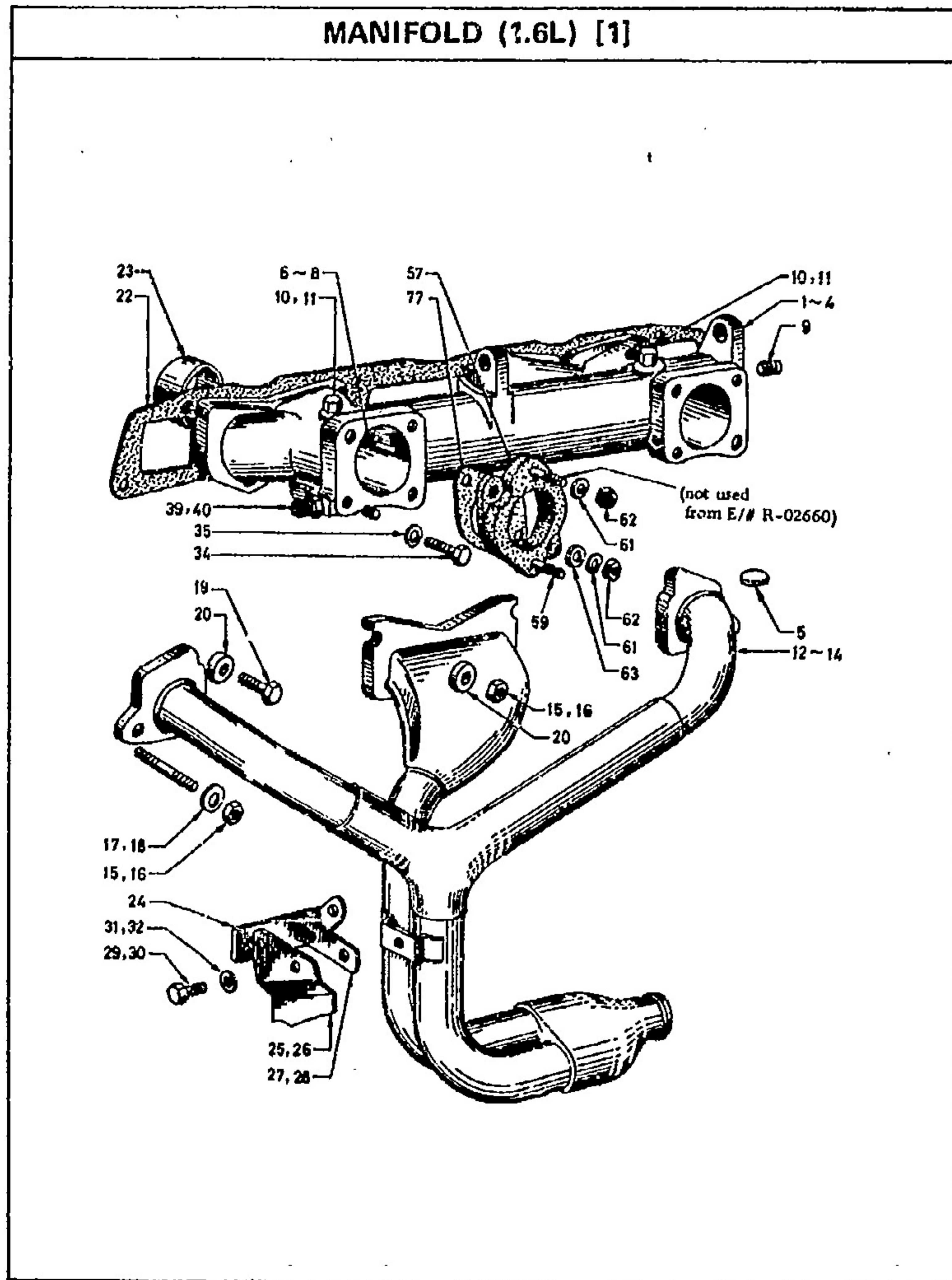
REVISED: SEPTEMBER, 1971

4-A-3

Printed in Japan



FIG. 5-1 F6 NISSAN MOTOR CO., LTD.



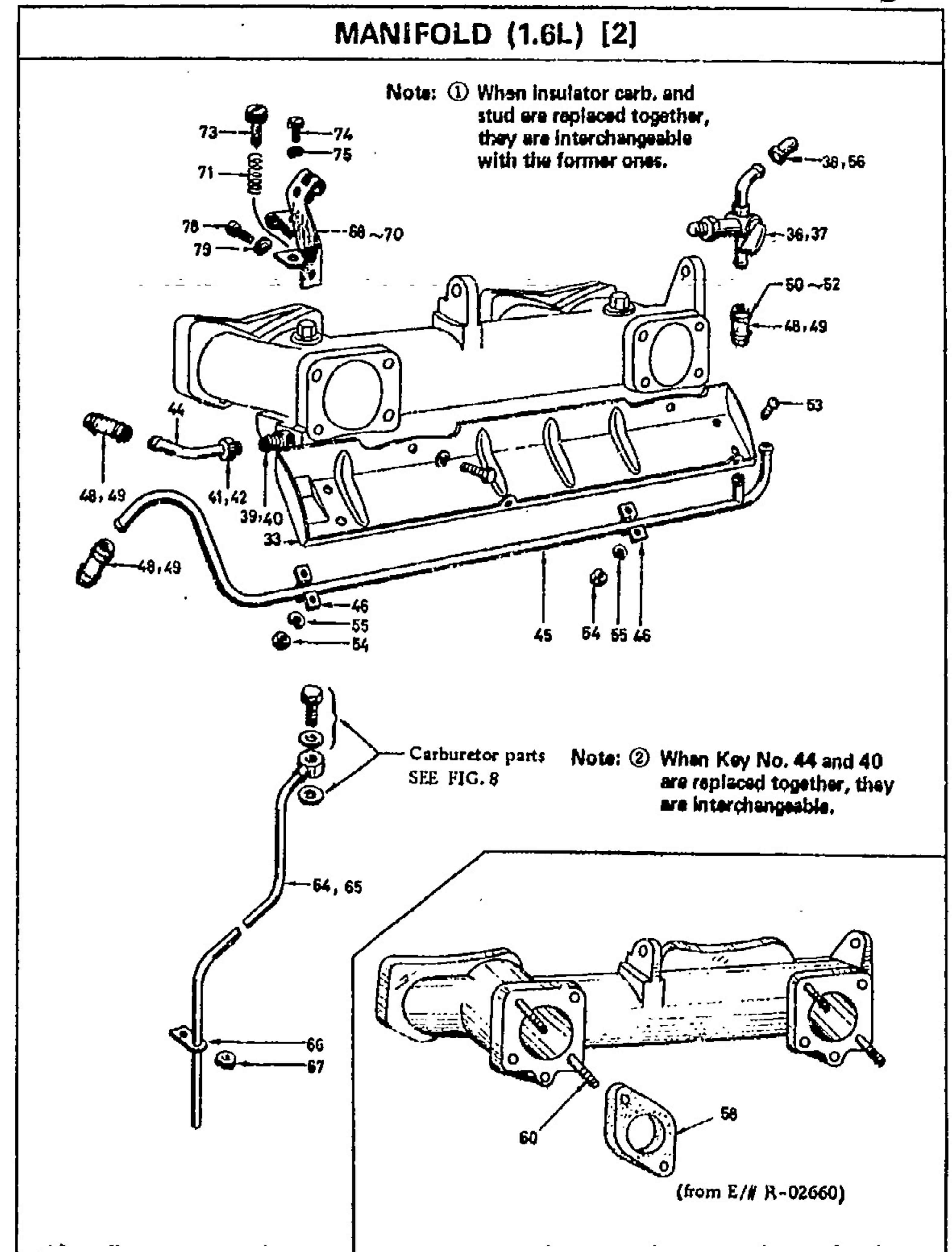
DECEMBER, 1970

F5 - 1

Printed in Japan

NISSAN MOTOR CO., LTD.

FIG. 5-2



DECEMBER, 1970

F5 - 2

Printed in Japan



FIG. 5 F7 NISSAN MOTOR CO., LTD.

S	KEY NO.	PART NO.	PART NAME	QTY	SALES UNIT	MODEL	ICA
			<b>MANIFOLD (1.6L)</b>				
1		14002-14600	MANIFOLD=INTAKE	1	1.6L		
2		14002-14601	MANIFOLD=INTAKE (FROM E /# R=40001)	1	1.6L		N
3		14002-14725	MANIFOLD=INTAKE (FROM OCT=67)	1	SPLU		
4		14003-A7700	MANIFOLD=INTAKE (FROM JULY=69)	1	1.6L EMISSION CONTROL		N
5		00933-12500	PLUG=WELCH(25)	2	10 1.6L		
6		00214-51610	STUD=CARBURETOR	4	50 1.6L		
7		00214-54210	STUD=CARBURETOR	4	25 1.6L		N
8		00223-04210	STUD=CARBURETOR (FROM E /# R=40001)	4	25 1.6L		N
9		00931-20610	PLUG=TAPER THREAD	1	10 1.6L		
10		00931-30210	PLUG,BALANCE TUBE	1	50 1.6L		
11		00931-30210	PLUG,BALANCE TUBE (FROM E /# R=40001)	1	50 1.6L		N
12		14060-12202	ASSY=MANIFOLD,EXHAUST	1	1 1.6L		
13		14060-14601	ASSY=MANIFOLD,EXHAUST (FROM E /# R=40001 TO SEP=67)	1	1 1.6L		N
14		14060-14604	MANIFOLD=EXHAUST (FROM OCT=67)	1	1 1.6L		N
15		00911-14510	NUT=MANIFOLD TO CYLINDER HEAD	6	50 1.6L		
16		00911-20610	NUT=MANIFOLD TO CYLINDER HEAD (FROM E /# R=40001)	6	50 1.6L		N

REVISED: SEPTEMBER, 1971

50 - 1

Printed in Japan

NISSAN MOTOR CO., LTD.

FIG. 5

S	KEY NO.	PART NO.	PART NAME	QTY	SALES UNIT	MODEL	ICA
17		00915-41510	WASHER=MANIFOLD TO CYLINDER HEAD	4	50 1.6L		
18		00915-43810	WASHER=MANIFOLD TO CYLINDER HEAD (FROM E /# R=40001)	4	50 1.6L		N
19		00121-53500	SCREW	4	50 1.6L		
20		14037-32200	YOKE=MANIFOLD	6	50 1.6L		
21		14035-14600	GASKET=MANIFOLD TO CYLINDER HEAD	1	100 1.6L		
22		14035-14601	GASKET=MANIFOLD TO CYLINDER HEAD	1	10 1.6L		Y
23		14034-14600	COLLER=INTAKE MANIFOLD	2	10 1.6L		
24		14065-12200	SUPPORT=EXHAUST MANIFOLD	1	1 1.6L		
25		14041-12201	INSULATOR=EXHAUST MANIFOLD	1	1 1.6L		
26		14041-25601	INSULATOR=EXHAUST MANIFOLD (FROM OCT=67)	1	1 SPLU		
27		14066-12200	BAR=EXHAUST MANIFOLD	1	1 1.6L		
28		14066-25601	BAR=EXHAUST MANIFOLD (FROM OCT=67)	1	5 SPLU		
29		00114-51610	BOLT=SUPPORT TO INSULATOR	2	50 1.6L		
30		00120-81610	BOLT=SUPPORT TO INSULATOR (FROM E /# R=40001)	2	50 1.6L		N
31		00915-11410	WASHER=LOCK	2	50 1.6L		
32		00915-13810	WASHER=LOCK (FROM E /# R=40001)	2	50 1.6L		N
33		14330-14600 -14601	PLATE=HEAT SHIELD, CARBURETOR	1	1 1.6L		
34		00111-51410	BOLT TO FIX HEAT SHIELD PLATE	4	50 1.6L		

REVISED: SEPTEMBER, 1971

50 - 2

Printed in Japan



FIG. 5 F8 NISSAN MOTOR CO., LTD.

S	KEY NO.	PART NO.	PART NAME	QTY	SALES UNIT	MODEL	ICA
	35	00915-11510	WASHER-LOCK TO FIX HEAD SHIELD PLATE	4	50	1.6L	
	36	14050-12900	COCK-THREE WAY	1	1	1.6L	
	37	14050-14600	COCK-THREE WAY	1	1	1.6L	Y
	38	14058-14600	CAP-CONNECTOR	2	10	1.6L	
	39	00712-15200	CONNECTOR-MANIFOLD TO W/PUMP	1	10	1.6L	
	40	00712-15000	CONNECTOR-MANIFOLD TO W/PUMP(FROM E/P R-40001)	1	5	1.6L	C
	41	14052-12200	NUT-MANIFOLD TO CYLINDER HEAD	1	5	1.6L	
	42	14052-14600	NUT-MANIFOLD TO CYLINDER HEAD (FROM E/P R-40001)	1	10	1.6L	N
	43	14053-12200	TUBE-MANIFOLD TO CYLINDER HEAD (INCH)	1	1	1.6L	
	44	14053-14601	TUBE-MANIFOLD TO CYLINDER HEAD (METRIC)	1	5	1.6L	C
	45	14054-14601	TUBE-MANIFOLD TO WATER PUMP	1	1	1.6L	
	46	14055-12200	CLAMP-WATER TUBE	2	5	1.6L	
	47	14056-12200	HOSE-WATER	3	5	1.6L	
	48	14056-14600	HOSE-WATER	3	5	1.6L	Y
	49	14056-25605	HOSE-WATER TO PUMP (FROM OCT-67)	3	5	SPLU	
	50	00721-11900	CLAMP-HOSE	6	10	1.6L	
	51	00721-11900	CLAMP-HOSE(FROM E/P R-40001)	6	10	1.6L	N
	52	00723-12200	CLAMP-HOSE	6	10	1.6L	Y
	53	00314-00810	SCREW TO FIX WATER TUBE CLAMP	4	50	1.6L	

REVISED: SEPTEMBER, 1971

50 - 3

Printed in Japan

NISSAN MOTOR CO., LTD.

FIG. 5

S	KEY NO.	PART NO.	PART NAME	QTY	SALES UNIT	MODEL	ICA
	54	00911-14010	NUT TO FIX WATER TUBE CLAMP	4	50	1.6L	
	55	00915-11010	WASHER-LOCK TO FIX WATER TUBE CLAMP	4	50	1.6L	
	56	14058-14600	CAP-CONNECTOR	2	10	1.6L	
	57	14174-14600	INSULATOR-CARBURETOR	2	1	1.6L	
	58	14174-15800	INSULATOR-CARBURETOR(FROM E/P R-02660)	2	2	1.6L	C
	59	00214-51610	STUD	4	50	1.6L	
	60	00214-54510	STUD(FROM E/P R-02660)	4	25	1.6L	C
	61	00915-11510	WASHER-LOCK	6	50	1.6L	
	62	00911-14510	NUT	6	50	1.6L	
	63	00915-41510	WASHER-PLAIN	4	50	1.6L	
	64	14031-12201	ASSY-TUBE, OVER FLOW, CARBURETOR	2	5	1.6L	
	65	14032-A7700	ASSY-TUBE, OVER FLOW, CARBURETOR	2	5	1.6L	EVAPD
	66	14012-10400	BRACKET-DRAIN TUBE	2	2	1.6L	
	67	14455-30900	RUBBER-FERRULE	2	10	1.6L	
	68	14380-14600	ASSY-BRACKET, ACCELERATOR WIRE & TUBE	1	1	1.6L	
	69	14380-14602	ASSY-BRACKET, ACCELERATOR WIRE & TUBE(FROM E/P R-40001)	1	10	1.6L	N
	70	14380-14700	BRACKET-ACCELE WIRE (FROM OCT-67)	1	1	SPLU	
	71	14378-14600	SPRING-ADJUST SCREW	1	10	1.6L	
	72	14379-14600	SCREW-THROTTLE ADJUST	1	1	1.6L	
	73	14379-14601	SCREW-THROTTLE ADJUST(FROM E/P R-40001)	1	10	1.6L	Y
	74	00349-01210	SCREW	2	50	1.6L	

REVISED: SEPTEMBER, 1971

50 - 4

Printed in Japan



FIG. 5 F9 NISSAN MOTOR CO., LTD.

S	KEY NO.	PART NO.	PART NAME	QTY	SALES UNIT	MODEL	ICA
	75	00915-11010	WASHER-LOCK	2	50	1.6L	
	76	14175-14600	GASKET-INSULATOR,CARBU RETURN	4	10	1.6L	
	77	14175-A5100	GASKET-INSULATOR,CARBU RETURN	4	10	1.6L	Y
	78	00111-61210	SCREW	2	50	1.6L	
	79	00915-11410	WASHER-LOCK	2	50	1.6L	

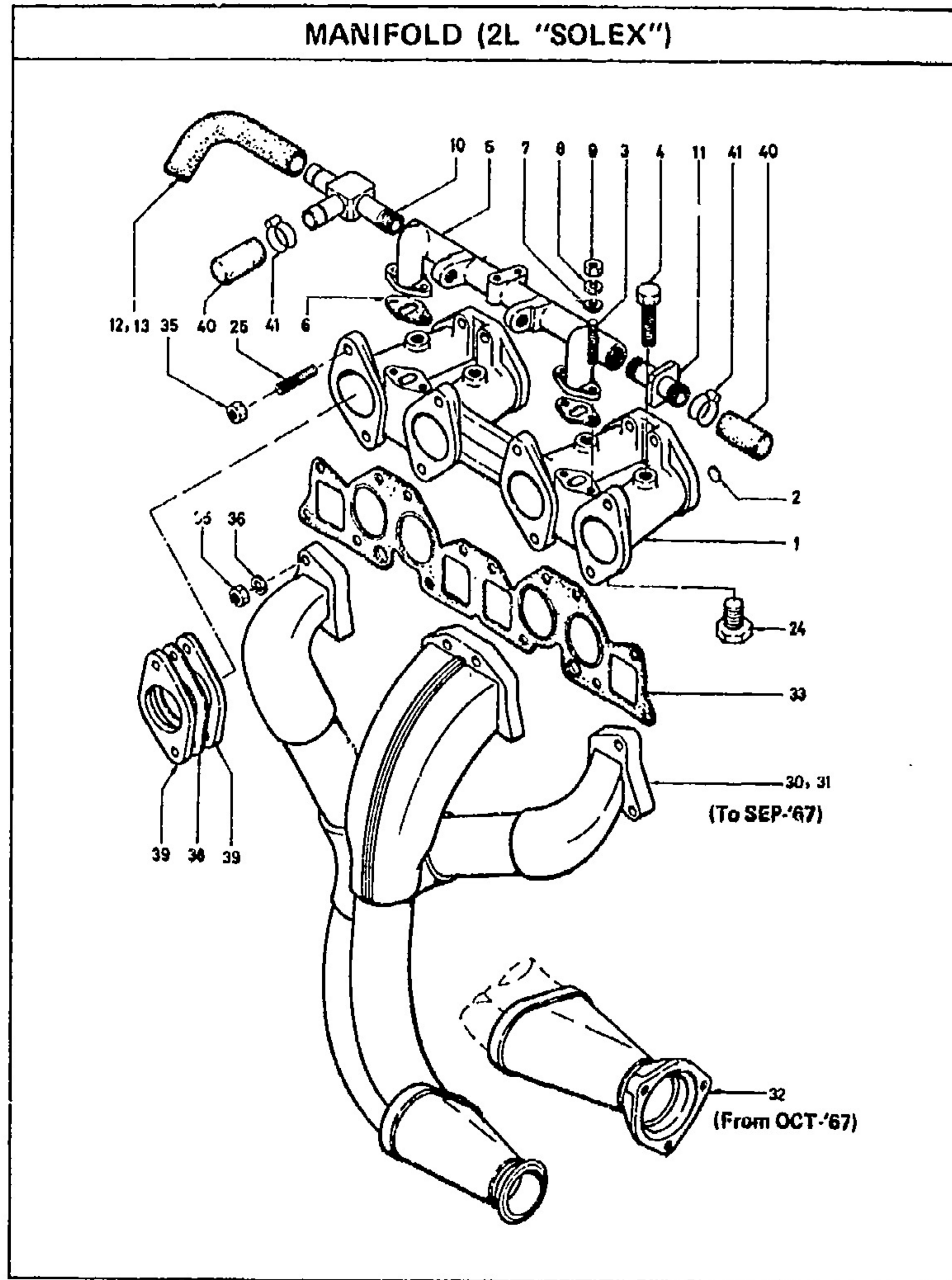
REVISED: SEPTEMBER, 1971

5 - 5

Printed in Japan



FIG. 5A-1 F10 NISSAN MOTOR CO., LTD.



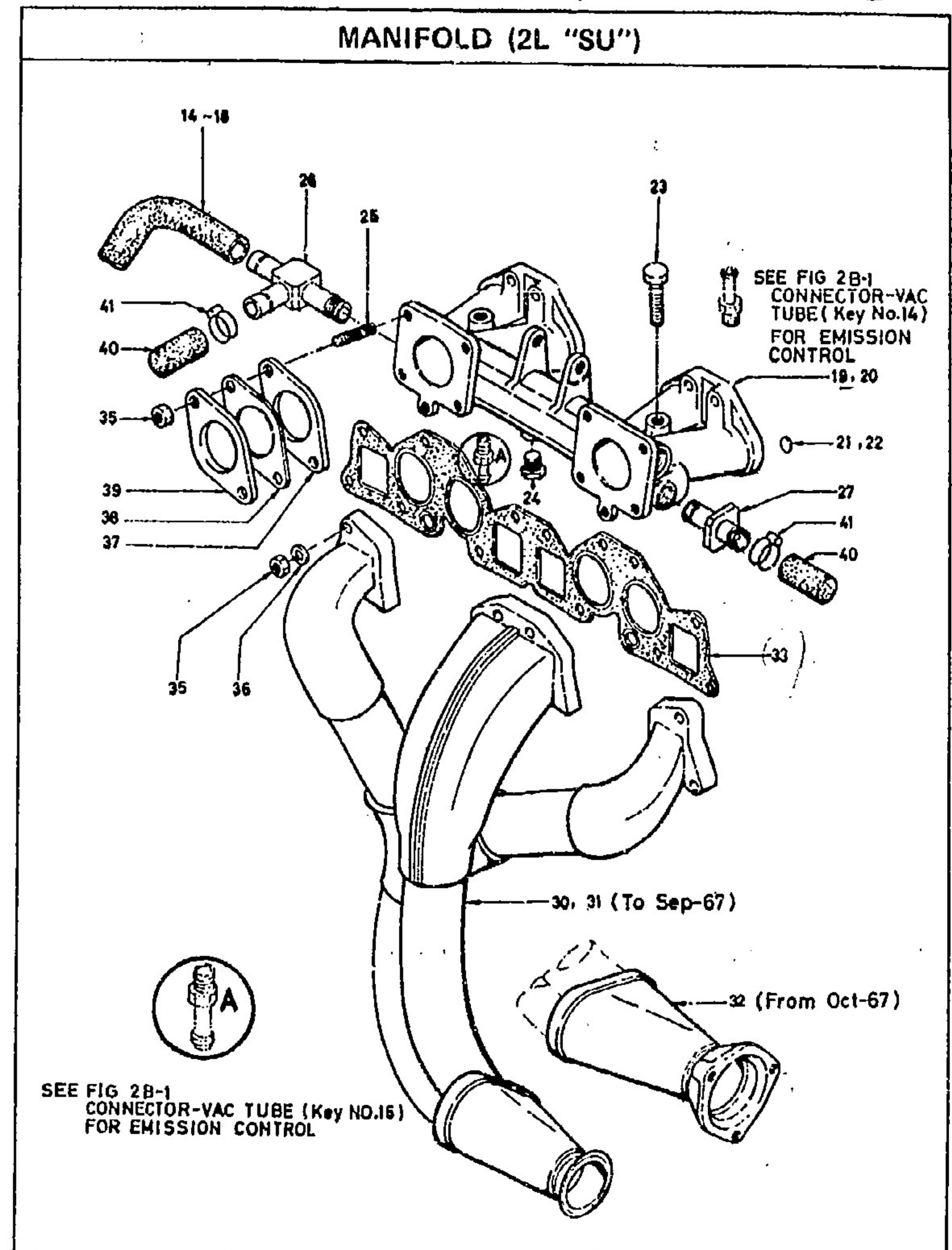
SEPTEMBER, 1971

F5A-1

Printed in Japan

NISSAN MOTOR CO., LTD.

FIG. 5A-2



SEPTEMBER, 1971

F5A-2

Printed in Japan



FIG. 5A F11 NISSAN MOTOR CO., LTD.

S KEY NO.	PART NO.	PART NAME	QTY	SALES UNIT	MODEL	ICA
		MANIFOLD (2L)				
1	14002-25525	MANIFOLD-IN TAKE FOR SOLEX	1	1	2L	
2	00933-11600	PLUG-WELCH 16	1	50	2L	
3	00228-62010	STUD M6 X 1.0, WATER TUBE	4	50	2L	
4	00931-30210	PLUG 1/8-28PT	4	50	2L	
5	14020-25500	TUBE-WATER	1	1	2L	
6	14021-20100	GASKET-WATER TUBE	2	10	2L	
7	00915-43610	WASHER-PLAIN	4	50	2L	
8	00915-13610	WASHER-LOCK	4	50	2L	
9	00911-10610	NUT M6 X 1.0	4	50	2L	
10	14048-25500	CONNECTOR-3 WAY, TUBE, FRONT	1		2L	
11	14049-18811	CONNECTOR-WATER TUBE, REAR	1	5	2L	
12	14056-25500	HOSE-WATER TO PUMP FOR "SOLEX"	1	5	2L	
13	14056-25501	HOSE-WATER TO PUMP FOR "SOLEX"	1	5	2L	Y
14	14056-25600	HOSE-WATER FOR "SU"	1	5	2L EXC SRLU	
15	14056-25605	HOSE-WATER FOR "SU"	1	5	2L EXC SRLU	Y
16	14056-25605	HOSE-WATER "A" FOR "SU"	1	5	SRLU	
17	14056-25602	HOSE-WATER "B" FOR "SU"	1	5	SRLU	

NISSAN MOTOR CO., LTD.

FIG. 5A

S KEY NO.	PART NO.	PART NAME	QTY	SALES UNIT	MODEL	ICA
18	14056-25605	HOSE-WATER TO PUMP FOR "SU" "B"	1	5	SRLU	Y
19	14002-25625	MANIFOLD-IN TAKE FOR SU	1	1	2L EXC EMISSION CONTROL	
20	14002-25626	MANIFOLD-IN TAKE FOR SU	1	1	2L EMISSION CONTROL	
21	00933-11600	PLUG-WELCH 16	1	50	2L	
22	00933-12500	PLUG-WELCH 25	2	10	2L	
23	00931-30210	PLUG 1/8-28PT	2	50	2L	
24	00931-20810	PLUG 1/2-14PT	1	10	2L	
25	00225-84210	STUD M6 X 1.25	8	25	2L	
26	14048-25600	CONNECTOR-3 WAY, WATER TUBE, FRONT	1	1	2L	
27	14049-18811	CONNECTOR-WATER TUBE, REAR	1	5	2L	
28	00721-12200	CLAMP-HOSE	4	10	2L	
29	00723-12400	CLAMP-HOSE	4	10	2L	Y
30	14060-25500	ASSY-MANIFOLD, EXHAUST (TO SEP-67)	1		2L	
31	14060-25501	ASSY-MANIFOLD, EXHAUST (TO SEP-67)	1	1	2L	Y
32	14060-25502	ASSY-MANIFOLD, EXHAUST (FROM OCT-67)	1	1	2L	H
33	14035-25500	GASKET-MANIFOLD	1	10	2L	
34	14037-32200	YUKE	4	50	2L	
35	00911-20810	NUT M6 X 1.25	14	50	2L	
36	00915-43610	WASHER-PLAIN	4	50	2L	
37	00915-13610	WASHER-LOCK	10	50	2L	



FIG. 5A F12 NISSAN MOTOR CO., LTD.

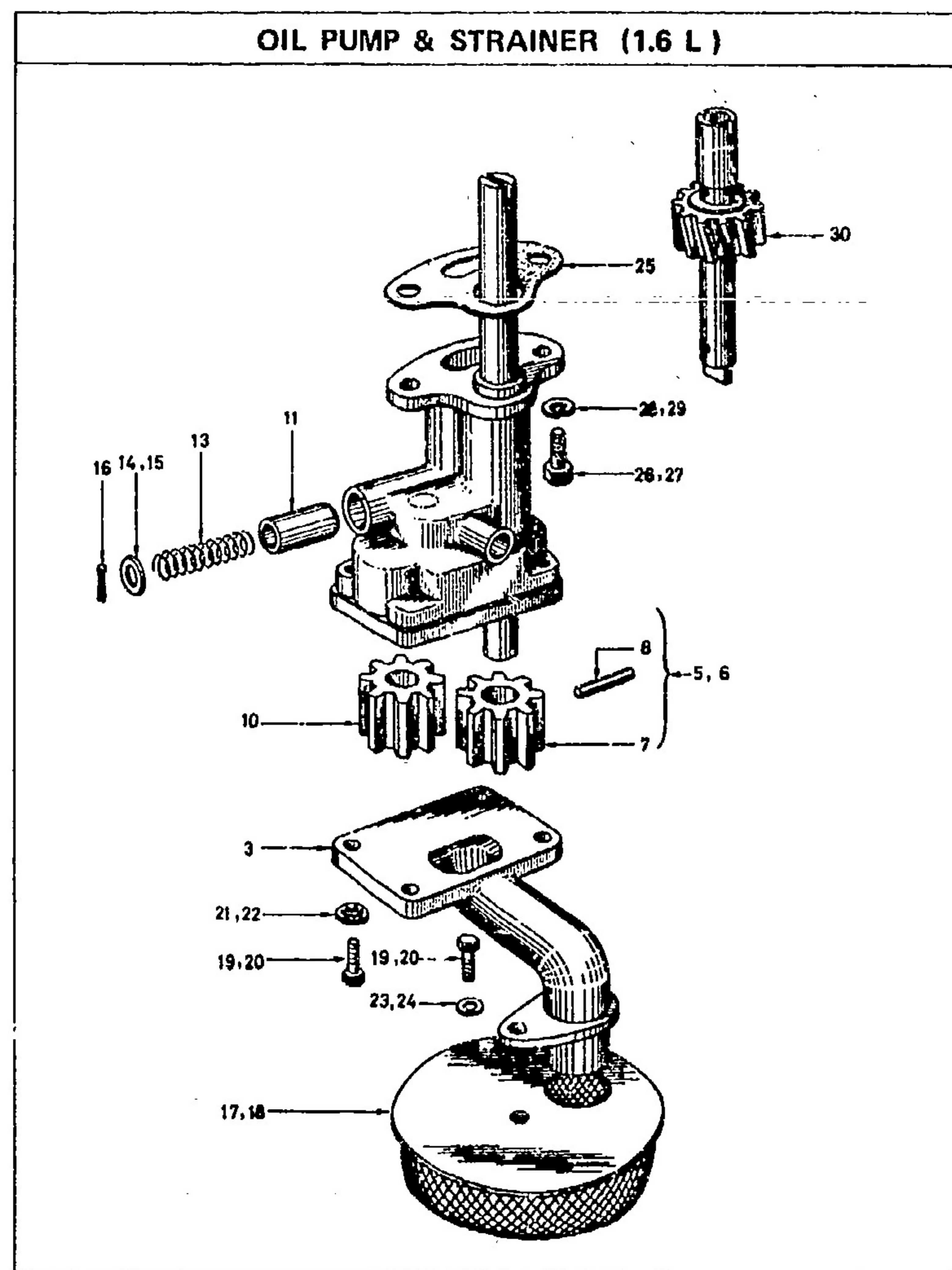
S	KEY NO.	PART NO.	PART NAME	QTY	SALES UNIT	MODEL	ICA
	37	14041-12201	INSULATOR-EXHAUST MANI FOLD T1,0	1	1	2L EXC SRLU	
	39	14041-25603	INSULATOR-EXHAUST MANI FOLD (FROM OCT-67)	1	1	SRLU	
	40	14058-25500	CAP-WATER TUBE	2	10	2L	
	41	08721-12200	CLAMP	3	10	2L	
	42	08723-12400	CLAMP	3	10	2L	Y
	43	14066-12200	BAR-EXHAUST MANIFOLD	1	1	2L EXC SRLU	
	44	14066-25601	BAR-EXHAUST MANIFOLD (FROM OCT-67)	1	5	SRLU	

REVISED. SEPTEMBER, 1971

5-A- 5

Printed in Japan





KEY NO.	PART NO.	PART NAME	QTY	SALES UNIT	MODEL	ICA
<b>OIL PUMP &amp; STRAINER (1.6L)</b>						
1	15010-12200	ASSY-PUMP,OIL,WITH OIL STRAINER	1		1.6L	
2	15010-10010	ASSY-PUMP,OIL,WITH OIL STRAINER(FROM E/P R-4 0001)	1		1.6L	Y
3	15015-12200	COVER-OIL PUMP	1		1.6L	
4	15020-32200	ASSY-SHAFT,OIL PUMP	1		1.6L	
5	15020-71102	ASSY-SHAFT,OIL PUMP	1		1.6L	Y
6	15020-76200	ASSY-SHAFT,OIL PUMP	1		1.6L	Y
7	15021-32200	GEAR-DRIVE,OIL PUMP	1		1.6L	
8	15030-32200	PIN-DRIVE SHAFT	1	10	1.6L	
9	15023-32200	GEAR-DRIVE,OIL PUMP	1	2	1.6L	
10	15023-78200	GEAR-DRIVE,OIL PUMP	1	1	1.6L	Y
11	15132-58000	VALVE-OIL REGULATOR	1	10	1.6L	
12	15133-58000	SPRING-VALVE,OIL REGUL ATOR	1		1.6L	
13	15133-61900	SPRING-VALVE,OIL REGUL ATOR	1	10	1.6L	Y
14	15134-58000	SHIM-OIL REGULATOR(1M/ M)	1	50	1.6L	
15	15137-58000	SHIM-OIL REGULATOR(2M/ M)	1	70	1.6L	
16	09021-32910	PIN-COTTER(3)	1	50	1.6L	
17	15050-12200	ASSY-STRAINER,OIL	1	1	1.6L	
18	15050-78200	ASSY-STRAINER,OIL(FROM E/P R-40001)	1	1	1.6L	Y
19	00111-41410	BOLT-COVER TO STRAINER	5	50	1.6L	



FIG. 6 F14 NISSAN MOTOR CO., LTD.

S	KEY NO.	PART NO.	PART NAME	QTY	SALES UNIT	MODEL	ICA
	20	00120-61410	BOLT-COVER TO STRAINER (FROM E/S R-10001)	5	50	1.6L	N
	21	00916-11410	WASHER-COVER TO BODY	4	50	1.6L	
	22	00916-13600	WASHER-COVER TO BODY (FROM E/S R-40101)	4	50	1.6L	N
	23	00915-11410	WASHER-SPRING, COVER TO BODY	1	50	1.6L	
	24	00915-13610	WASHER-SPRING, COVER TO BODY (FROM E/S R-40001)	1	50	1.6L	N
	25	15044-32200	GASKET-OIL PUMP TO CYLINDER BLOCK	1	10	1.6L	
	26	00111-52210	BOLT-HEX, M8 O/PUMP TO BLOCK TO FIX OIL PUMP TO CYLINDER BLOCK	2	50	1.6L	
	27	00120-82210	BOLT-HEX, M8 O/PUMP TO BLOCK (FROM E/S R-40001) TO FIX OIL PUMP TO CYLINDER BLOCK	2	50	1.6L	N
	28	00915-11510	WASHER-LOCK, O/PUMP TO CYL. BLOCK TO FIX OIL PUMP TO CYLINDER BLOCK	2	50	1.6L	
	29	00915-13810	WASHER-LOCK, O/PUMP TO CYL. BLOCK (FROM E/S R-40001) TO FIX OIL PUMP TO CYLINDER BLOCK	2	50	1.6L	N
	30	15040-61000	ASSY-SPINDLE, DRIVING, OIL PUMP	1	1	1.6L	

REVISED: SEPTEMBER, 1971

6-2

Printed in Japan



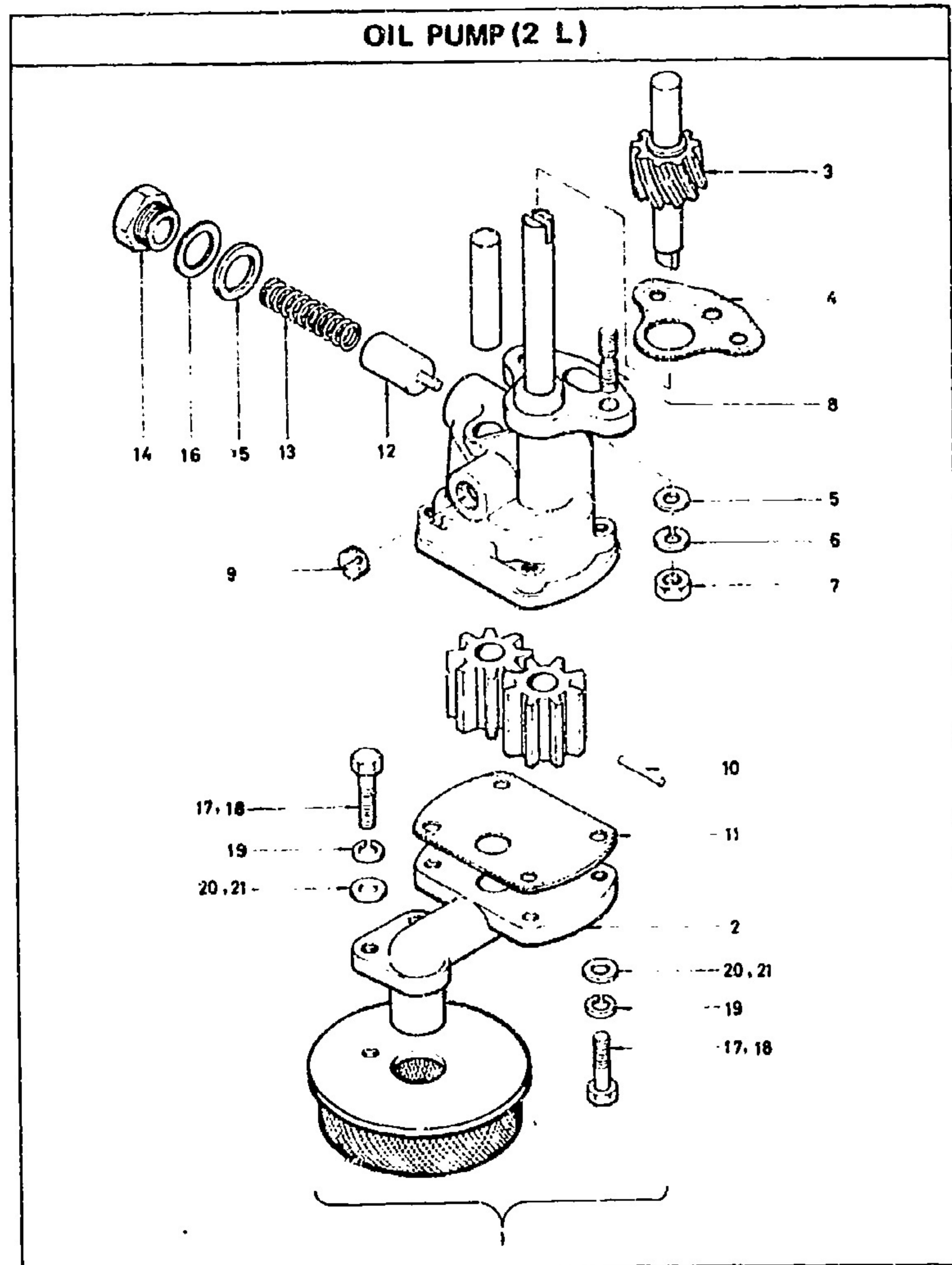


FIG. 6A - 1

DECEMBER, 1968

Printed in Japan

S KEY NO.	PART NO.	PART NAME	QTY	SALES UNIT	MODEL	ICA
<b>OIL PUMP (2L)</b>						
1	15016-25501	ASSY-OIL PUMP WITH STRAINER	1	1	2L	
2	15015-25501	ASSY-COVER, OIL PUMP	1	1	2L	
3	15040-61800	ASSY-SPINDLE, DRIVING	1	1	2L	
4	15066-78200	GASKET-OIL PUMP TO CYLINDER BLOCK	1	50	2L	
5	08915-43810	WASHER-PLAIN HB	2	50	2L	
6	08915-13810	WASHER-SPRING, LOCK HB	2	50	2L	
7	08911-20810	NUT-HEXAGON HB	2	50	2L	
8	08223-82010	STUD	2	50	2L	
9	15017-25500	FLUID-BLIND	1	10	2L	
10	15030-32200	PIN-DRIVE SHAFT	1	10	2L	
11	15025-25500	PACKING	1	10	2L	
12	15132-25500	VALVE-OIL REGULATOR	1	10	2L	
13	15133-25500	SPRING-OIL REGULATOR	1	10	2L	
14	15134-10602	CAP-NUT, OIL REGULATOR	1	5	2L	
15	15136-10601	WASHER-OIL REGULATOR	1	10	2L	
16	15137-10600	SHIM-OIL REGULATOR	1	10	2L	
17	08120-61800	SET-BOLT	6		2L	
18	08120-61810	SET-BOLT	6		2L	Y
19	08915-13610	WASHER-LOCK	6	50	2L	
20	08915-43600	WASHER-PLAIN	6	50	2L	
21	08915-43610	WASHER-PLAIN	6	50	2L	Y

REVISED: DECEMBER, 1970

6-A- 1

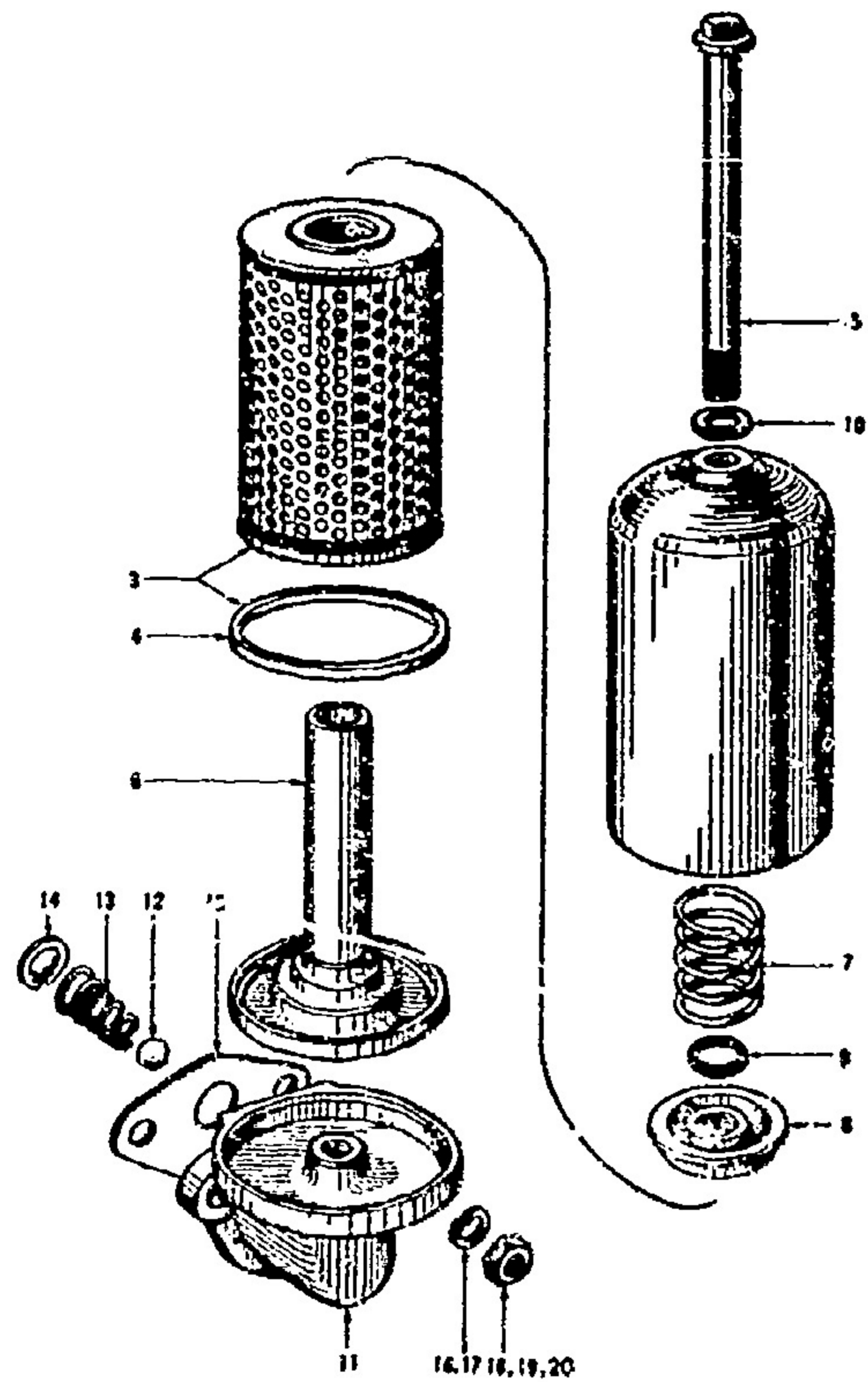
Printed in Japan



FIG. 7-1 F16

NISSAN MOTOR CO., LTD.

OIL FILTER (1.6L) (TO E/# R-02311)



MARCH, 1971

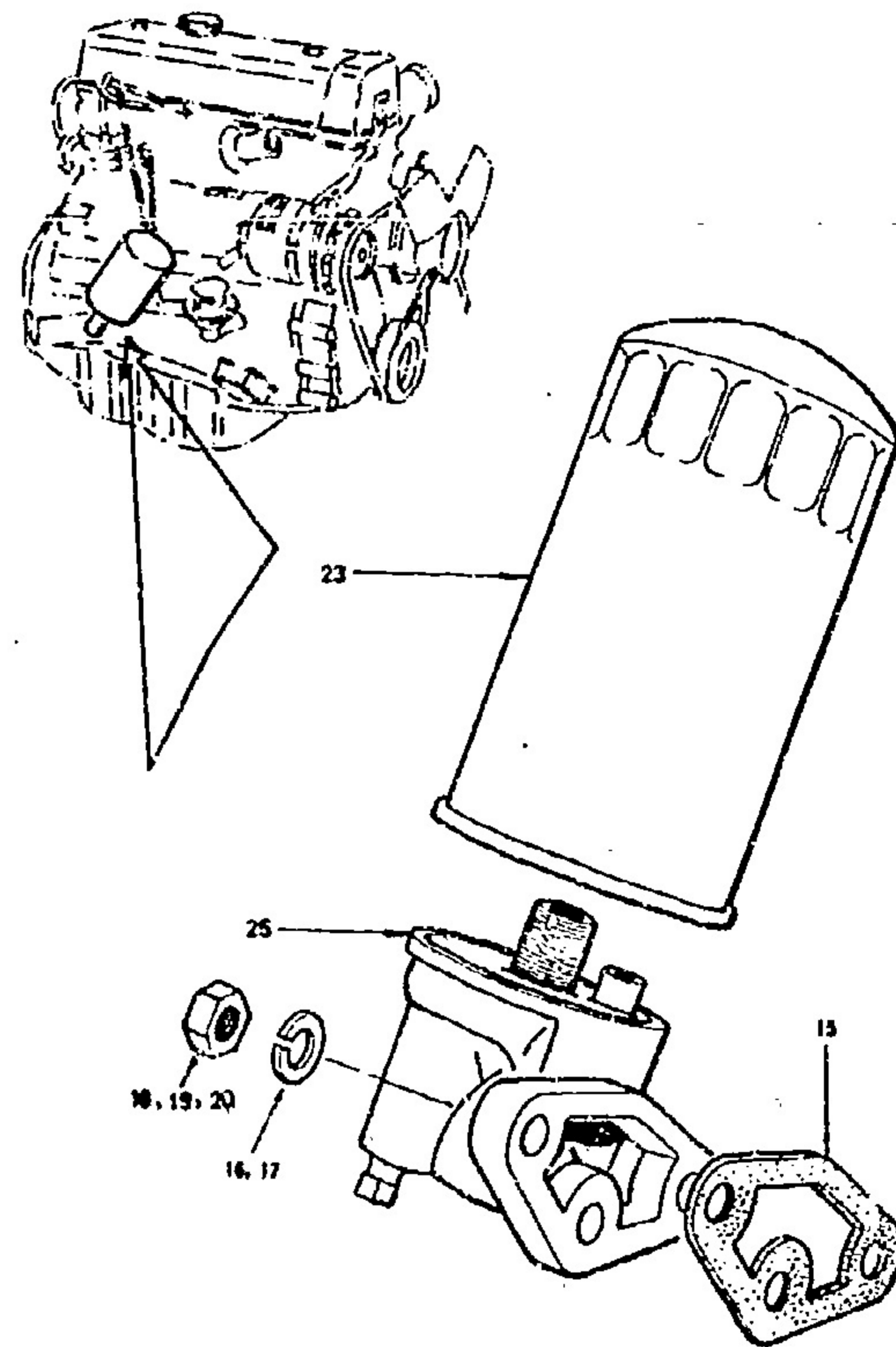
F7 - 1

Printed in Japan

NISSAN MOTOR CO., LTD.

FIG. 7-2

OIL FILTER (1.6L) (FROM E/# R-02312)



ROTATED 90° CLOCKWISE

MARCH, 1971

F7 - 2

Printed in Japan



S	KEY NO.	PART NO.	PART NAME	QTY	SALES UNIT	MODEL	ICA
			<b>OIL FILTER (1.6L)</b>				
•	1	15200-32201	ASSY-FILTER,OIL	1	1.6L		
	2	15200-38701	ASSY-FILTER,OIL	1	1.6L		Y
	3	15208-32225	ASSY-ELEMENT,OIL FILTER WITH GASKET(TO E/# R=02311)	1	1.6L		
	4	15223-30100	GASKET-OIL FILTER BODY	1	10 1.6L		
	5	15213-43800	ASSY-SHAFT,CENTER	1	1.6L		
	6	15229-32201	ASSY-SEAT,ELEMENT	1	1.6L		
	7	15224-43800	SPRING-SET,ELEMENT	1	5 1.6L		
	8	15227-43800	RETAINER-ELEMENT	1	10 1.6L		
	9	15228-43800	WASHER-RETAINER	1	10 1.6L		
	10	15230-43800	GASKET-FILTER,BODY TOP	1	50 1.6L		
	11	15238-32201	BRACKET-OIL FILTER	1	1.6L		
	12	15300-32200	VALVE-SAFETY	1	50 1.6L		
	13	15301-32200	SPRING-SAFETY VALVE	1	10 1.6L		
	14	15302-32201	RING-SNAP	1	50 1.6L		
	15	15239-32200	GASKET-OIL FILTER TO CYLINDER BLOCK	1	50 1.6L		
	16	00915-11410	WASHER-SPRING,OIL FILTER	2	50 1.6L		
	17	00915-14010	WASHER-SPRING,OIL FILTER(FROM E/# R=40001)	2	50 1.6L		N
	18	01-14610	NUT-OIL FILTER TO BLOCK	2	50 1.6L		
	19	00911-24010	NUT-OIL FILTER TO BLOCK(FROM E/# R=40001)	2	50 1.6L		N

REVISED: MARCH, 1971

7 - 1

Printed in Japan

S	KEY NO.	PART NO.	PART NAME	QTY	SALES UNIT	MODEL	ICA
	20	21107-E4206	NUT-OIL FILTER TO BLOCK	2	10 1.6L		Y
•	21	15208-13210	ASSY-ELEMENT,CARTRIDGE	1	50 1.6L		
•	22	15208-13211	ASSY-ELEMENT,CARTRIDGE	1	1.6L		Y
	23	15208-13212	ASSY-ELEMENT,CARTRIDGE	1	1.6L		Y
•	24	15238-15800	ASSY-BRACKET	1	1.6L		
	25	15238-78200	ASSY-BRACKET	1	1.6L		Y

REVISED: MARCH, 1971

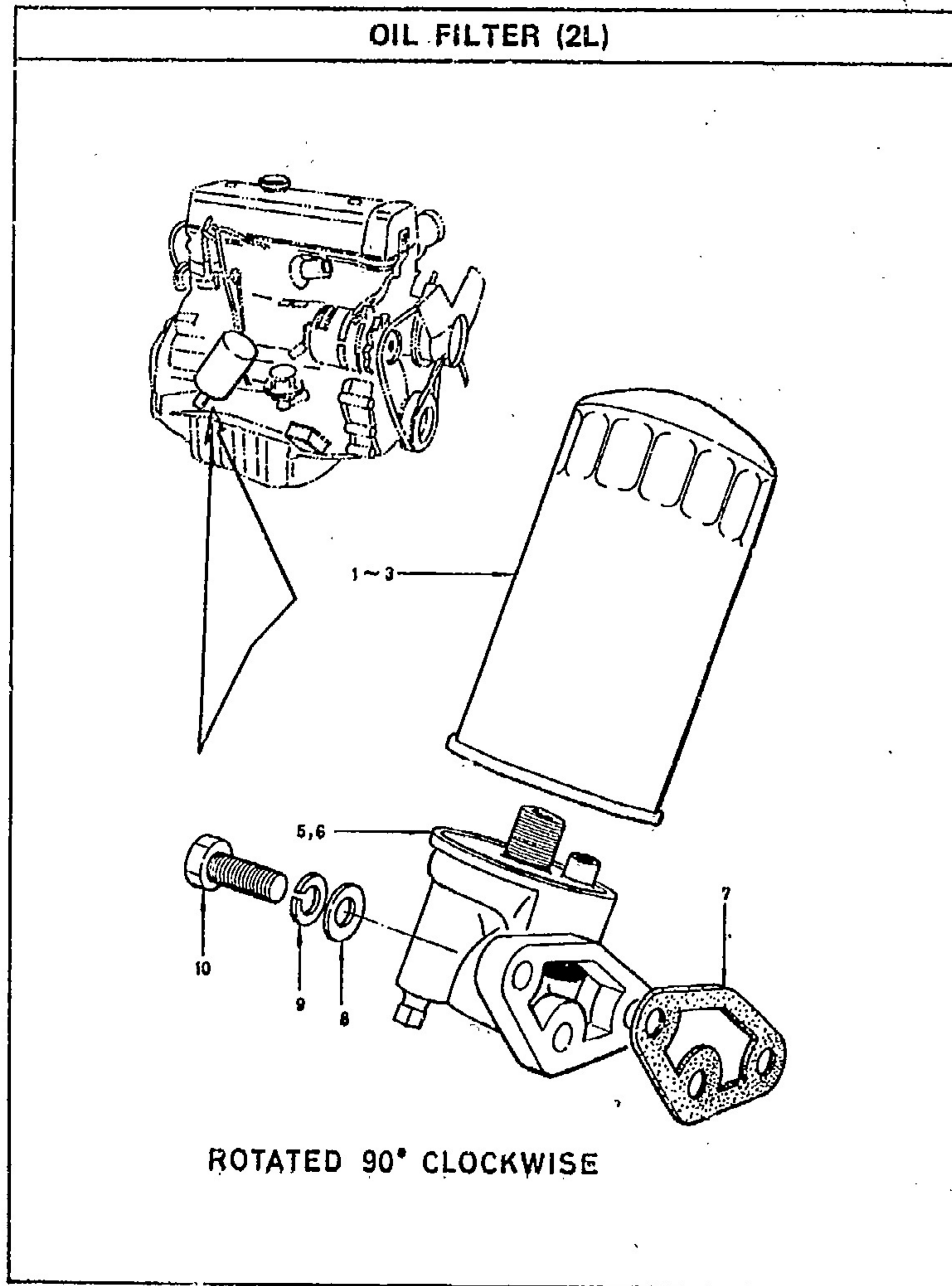
7 - 2

Printed in Japan



FIG. 7A G2

NISSAN MOTOR CO., LTD.



MARCH, 1971

F7A - 1

Printed in Japan

NISSAN MOTOR CO., LTD.

FIG. 7A

S	KEY NO.	PART NO.	PART NAME	QTY	SALES UNIT	MODEL	ICA
			<b>OIL FILTER (2L)</b>				
•	1	15208-13210	ASSY-ELEMENT, OIL FILTER CARTRIDGE	1	50 2L		
•	2	15208-13211	ASSY-ELEMENT, OIL FILTER CARTRIDGE	1	1 2L		Y
	3	15208-13212	ASSY-ELEMENT, OIL FILTER CARTRIDGE	1	1 2L		Y
•	4	15238-25500	BRACKET-OIL FILTER	1	1 2L		Y
	5	15238-25501	BRACKET-OIL FILTER	1	1 2L		Y
	6	15239-E0700	GASKET-OIL FILTER	1	10 2L		
	7	15239-25500	GASKET-OIL FILTER	1	10 OP 2L FOR RACE		
	8	08915-44010	WASHER-PLAIN M10	2	50 2L		
	9	08915-14010	WASHER-SPRING LOCK M10	2	50 2L		
	10	09121-03510	BOLT-HEXAGON, M10 X 1,5	2	25 2L		

REVISED: MARCH, 1971

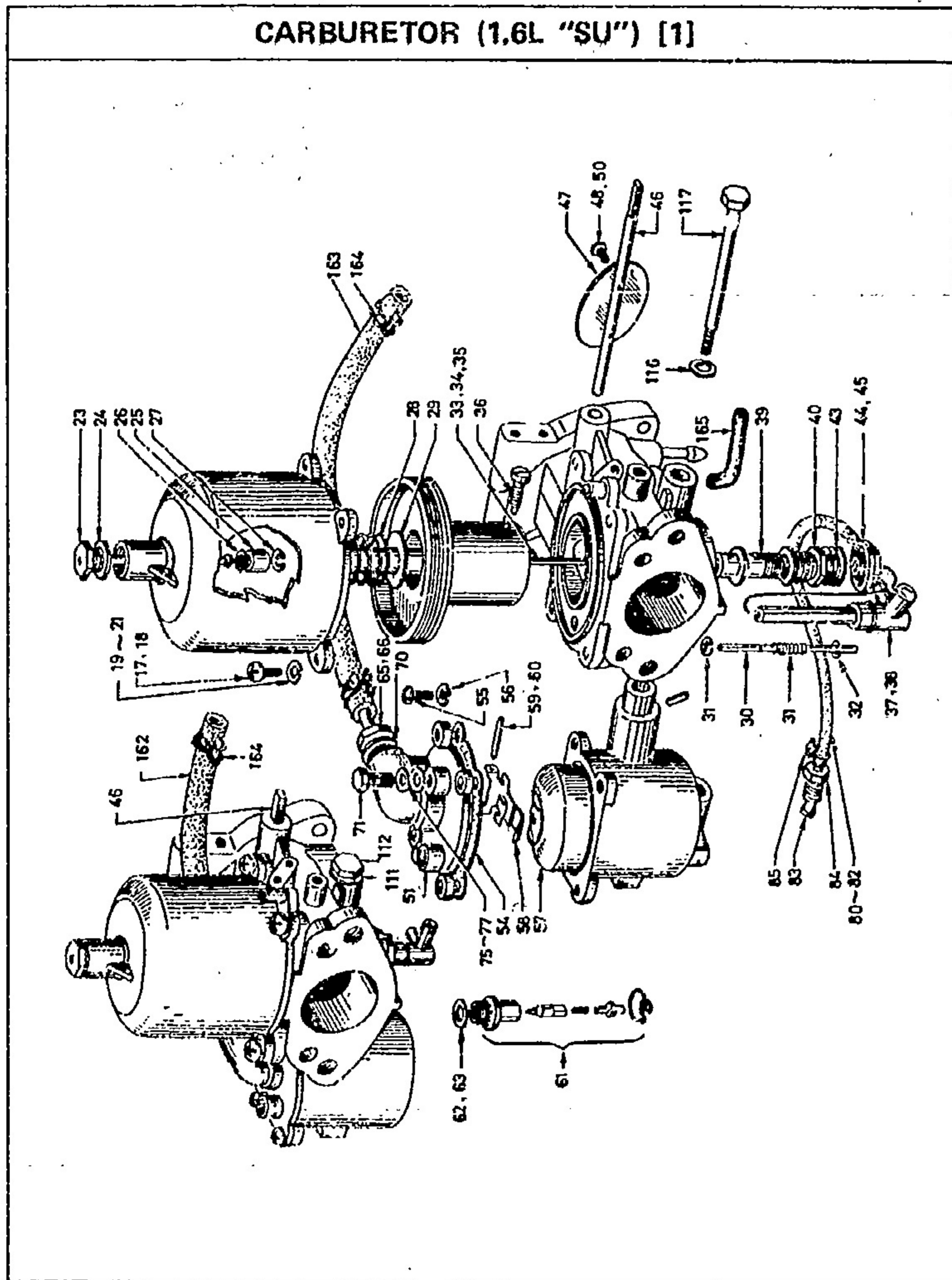
7-A- 1

Printed in Japan



FIG. 8-1 G3 NISSAN MOTOR CO., LTD.

CARBURETOR (1.6L "SU") [1]



JUNE, 1972

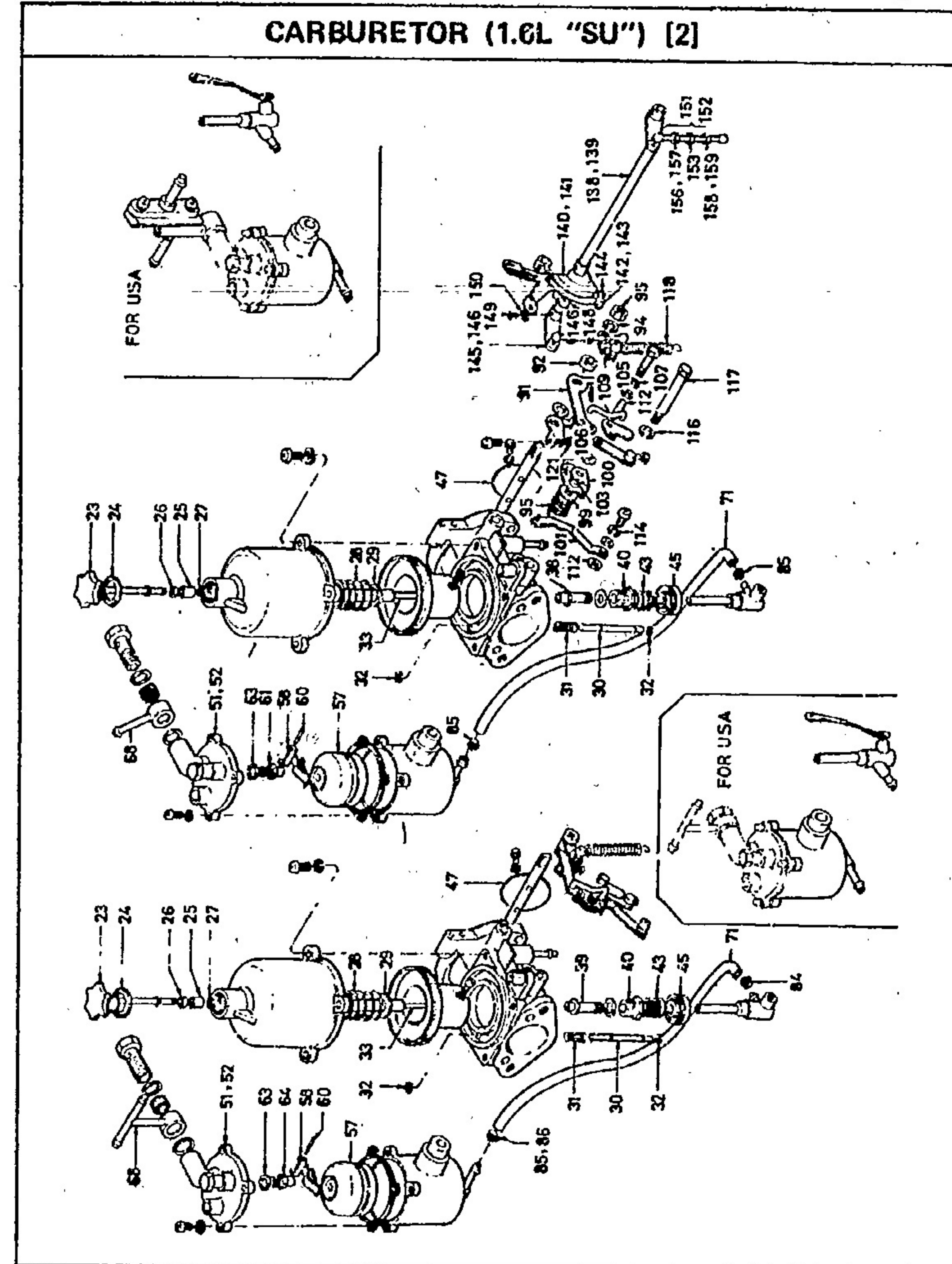
F8 - 1

Printed in Japan

NISSAN MOTOR CO., LTD.

FIG. 8 -2

CARBURETOR (1.6L "SU") [2]



JUNE, 1972

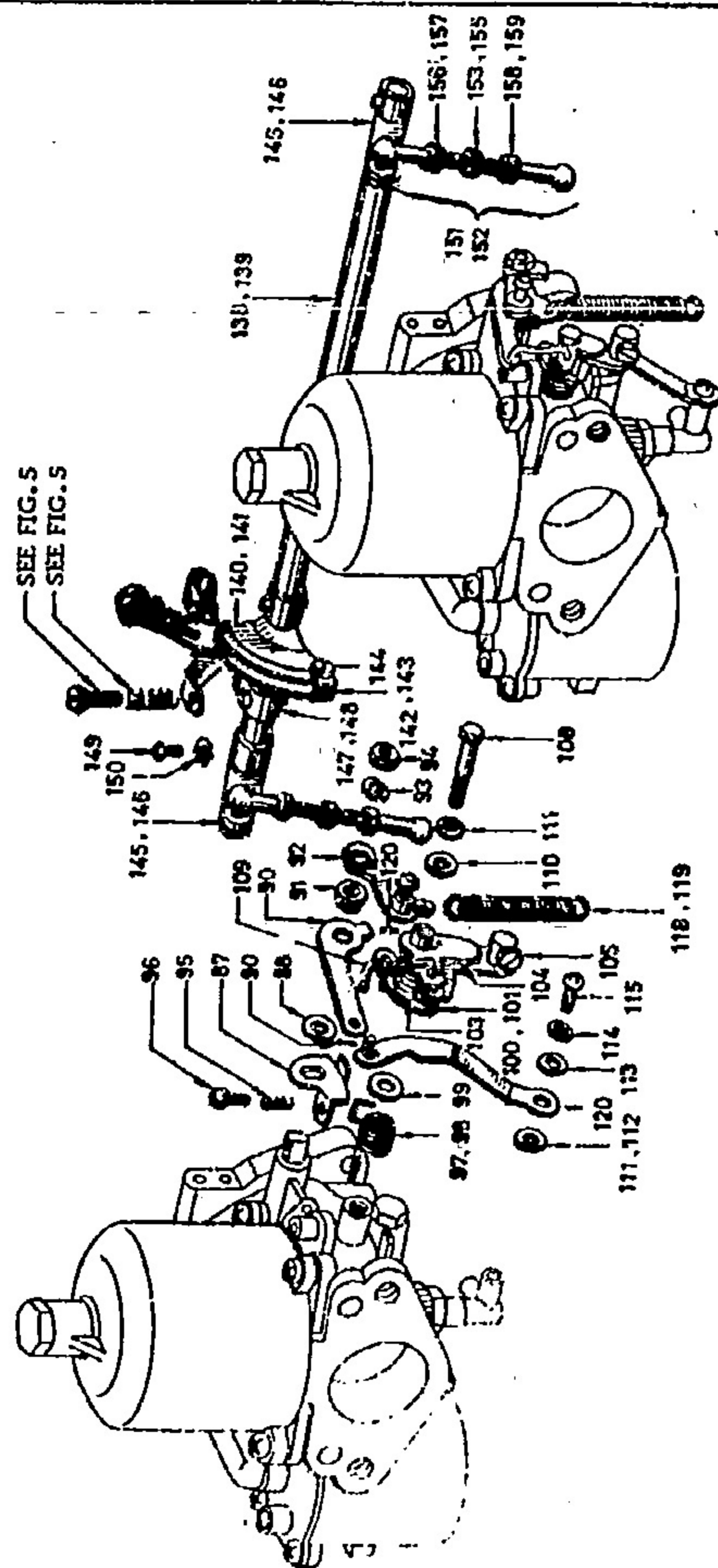
F8 - 2

Printed in Japan



CARBURETOR (1.6L "SU") [3]

Note: Kit A inc. Key No. 41, 62, 70, 72  
 Kit B inc. Key No. 18, 27, 32, 85, 98, 102, 103  
 106, 107, 108, 110, 112, 113, 114, 115, 121  
 Kit C inc. Key no. 23, 33, 34, 35, 61, 95, 96



S	KEY NO.	PART NO.	PART NAME	QTY	SALES UNIT	MODEL	ICA
<b>CARBURETOR (1.6L "SU")</b> EXHAUST signifies ONTARIO and USA except CAL. EVAPO signifies CALIFORNIA in USA.							
•	1	16010-14600	ASSY-CARBURETOR(HJB3PW-3)	1	1	1.6L	
•	2	16010-16302	ASSY-CARBURETOR(HJB3PW-3)(FROM E/ R-40001)	1	1	1.6L	Y
•	3	16010-14603	ASSY-CARBURETOR(HJB3PW-3)(FROM E/ R-40001)	1	1	1.6L	Y
	4	16010-14604	ASSY-CARBURETOR (ISO)	1		1.6L EXC SPLU	Y
	5	16010-14605	ASSY-CARBURETOR	1		1.6L EXC EXHAUST & EVAPO	Y
	6	16010-14635	CARBURETOR FRONT	1		1.6L EXC EXHAUST & EVAPO	
	7	16010-14655	CARBURETOR REAR	1		1.6L EXC EXHAUST & EVAPO	
	8	16010-14700	ASSY-CARBURETOR (FROM OCT-67)(HJB3PW-3B)	1	1	SPLU	
•	9	16010-14701	ASSY-CARBURETOR(ISO)(HJB3PW-3AK)	1		SPLU	Y
	10	16010-14702	ASSY-CARBURETOR (ISO)	1	1	SPLU	Y
•	11	16010-A7700	ASSY-CARBURETOR(HJB-3B H6) (FROM JULY-69)	1	1	1.6L EXHAU ST. & EVAPO	N
	12	16010-A7701	ASSY-CARBURETOR (HJB 3 PW-6)(TO SEP-69)	1	1	1.6L EXHAU ST. & EVAPO	Y
	13	16010-A7731	CARBURETOR FRONT	1	1	1.6L EXHAU ST. & EVAPO	
	14	16010-A7732	CARBURETOR FRONT	1	1	1.6L EXHAU ST. & EVAPO	Y



FIG. 8 G5 NISSAN MOTOR CO., LTD.

S	KEY NO.	PART NO.	PART NAME	QTY	SALES UNIT	MODEL	ICA
	15	16010-A7751	CARBURETOR REAR	1	1.6L EXHAUST & EVAPU		
	16	16010-A7752	CARBURETOR REAR	1	1.6L EXHAUST & EVAPU		Y
	17	16129-73012	SCREW 5D	10	1.6L		
	18	16129-73013	SCREW 5D	10	1.6L		Y
	19	16086-00100	WASHER-SPRING	8	1.6L EXC SPLU		
	20	23109-30000	WASHER SPRING 5D	8	10 SPLU		
	21	23502-30000	WASHER SPRING 5D	8	10 SPLU		
	22	16341-10400	NUT-OIL CAP	2	1.6L		
	23	16341-10410	NUT-OIL CAP	2	10 1.6L		Y
	24	16342-10400	PACKING	2	5 1.6L		
	25	16343-12210	PLUNGER-OIL DAMPER	2	5 1.6L		
	26	16344-10400	WASHER-OIL DAMPER	2	5 1.6L		
	27	16345-10400	RING-PC	2	10 1.6L		
	28	16346-12210	SPRING-SUCTION	2	5 1.6L		
	29	16347-10400	PACKING-NYLON,12,5	2	5 1.6L		
	30	16324-10400	LIFTER-PISTON	2	10 1.6L		
	31	16325-10400	SPRING-PISTON LIFTER	2	5 1.6L		
	32	16326-10400	RING-PC	4	10 1.6L		
	33	16354-14610	JET-NEEDLE H-39	2	10 1.6L		
	34	16354-15810	JET-NEEDLE H-43	2	10 1.6L		
	35	16354-A7710	JET-NEEDLE (H-70)	2	10 1.6L		
	36	16219-10400	SCREW-SET, JET NEEDLE	2	10 1.6L		
	37	16355-14610	NOZZLE	2	10 1.6L EXC SPLU		

REVISED: JUNE, 1972

B = 2

Printed in Japan

NISSAN MOTOR CO., LTD.

FIG. 8

S	KEY NO.	PART NO.	PART NAME	QTY	SALES UNIT	MODEL	ICA
	38	16355-14710	NOZZLE	2	5 SPLU		
	39	16351-10400	SLEEVE-NOZZLE	2	5 1.6L		
	40	16027-10400	SCREW-SET, NOZZLE SLEEVE	2	5 1.6L		
	41	16130-10400	WASHER-10D	2	10 1.6L EXC SPLU		
	42	16130-25610	WASHER-10D	2	10 SPLU		
	43	16145-10400	SPRING-IDLE ADJUST SCREW	2	10 1.6L		
	44	16144-12210	NUT-IDLE ADJUST	2	10 1.6L		
	45	16144-25610	NUT-IDLE ADJUST	2	5 SPLU		
	46	16122-12210	SHAFT-THROTTLE	2	5 1.6L		
	47	16120-10400	VALVE-THROTTLE	2	10 1.6L		
	48	16121-85160	SCREW-VALVE	4	50 1.6L EXC SPLU		
	49	16121-85060	SCREW-VALVE	4	10 SPLU		
	50	16125-10411	COVER-FLOAT	2	1.6L		
	51	16125-10400	COVER-FLOAT	2	1 1.6L		Y
	52	16125-E3210	COVER-FLOAT	2	1 1.6L		N
	53	16064-10400	GASKET-FLOAT CHAMBER	2	10 1.6L		
	54	16064-22010	GASKET-FLOAT CHAMBER	2	10 1.6L		Y
	55	16065-08010	SCREW-SET, 5	8	10 1.6L		
	56	16086-00100	WASHER-SPRING	8	10 1.6L		
	57	16061-10400	ASSY-FLOAT	2	1 1.6L		
	58	16062-10400	LEVER-FLOAT	2	10 1.6L		
	59	16066-10400	SHAFT-FLOAT LEVER	2	10 1.6L EXC SPLU		
	60	16066-25610	SHAFT-FLOAT LEVER	2	10 SPLU		

REVISED: JUNE, 1972

B = 3

Printed in Japan



FIG. 8 G6 NISSAN MOTOR CO., LTD.

S	KEY NO.	PART NO.	PART NAME	QTY	SALES UNIT	MODEL	ICA
	61	16101-10400	ASSY-VALVE, NEEDLE	2	5	1.6L	
	62	16094-10400	WASHER-10D	2	10	1.6L EXC SPLU	
	63	16130-22010	WASHER-10D	2	2	SPLU	
	64	16111-12210	NIPPLE-FUEL	2	5	1.6L	
	65	16111-25611	NIPPLE-FUEL(F)	2	5	1.6L	Y
	66	16111-A7715	NIPPLE-FUEL(F)(NOT FOR SALE)	2		1.6L	Y
	67	16108-18010	BULT-FILLER	2	5	1.6L	
	68	16098-73401	FILTER	2	10	1.6L	
	69	16094-85060	PACKING-12	2	50	1.6L	
	70	16094-76500	PACKING-12	2	10	1.6L	Y
	71	16331-10400	SCREW-SET, NIPPLE	2	10	1.6L	
	72	16335-10400	PACKING-10	4	10	1.6L	
	73	16111-14715	VALVE FUEL RETURN FOR 16010-14701	1	1	SPLU	
	74	16111-25613	VALVE FUEL RETURN W/BRACKET FOR 16010-14702	1		SPLU	
	75	16111-A7710	VALVE FUEL RETURN W/BRACKET FOR 16010-A7700	1	1	SPLU	Y
	76	16111-A7711	VALVE FUEL RETURN W/BRACKET FOR 16010-A7700	1	1	SPLU	Y
	77	16111-A7712	VALVE FUEL RETURN W/BRACKET FOR 16010-A7700	1		SPLU	Y
	78	16111-25614	KIT BRACKET FUEL CONNECTOR FOR 16010-14700	1	5	SPLU	
	79	16111-25615	KIT BRACKET FUEL CONNECTOR FOR 16010-14701	1	5	SPLU	N

REVISED: JUNE, 1972

B = 4

Printed in Japan

NISSAN MOTOR CO., LTD.

FIG. 8

S	KEY NO.	PART NO.	PART NAME	QTY	SALES UNIT	MODEL	ICA
	80	16356-12210	PIPE-FUEL	2	10	1.6L EXC SPLU	
	81	16356-14710	PIPE-FUEL	2	5	SPLU	
	82	16356-25610	PIPE-FUEL	2	5	SPLU	Y
	83	16357-12210	SLEEVE	2	10	1.6L	
	84	16359-12210	NUT-SLEEVE	2	10	1.6L	
	85	16358-12211	CLIP	4	10	1.6L	
	86	16358-E4310	CLIP	4	10	1.6L	Y
	87	16127-14610	PLATE-THROTTLE ADJUST	2	1	1.6L	
	88	16084-14610	WASHER-8	2	10	1.6L	
	89	16277-14610	LEVER-IDLE FIRST	2	1	1.6L	
	90	16277-14611	LEVER-IDLE FIRST	2	5	1.6L	Y
	91	16239-14610	SLEEVE-MA	2	1	1.6L	
	92	16134-14610	LEVER-THROTTLE	2	1	1.6L	
	93	23100-30000	WASHER	2	10	1.6L	
	94	16214-85060	NUT-8	2	10	1.6L	
	95	16193-10400	SPRING-THROTTLE ADJUST SCREW	2	5	1.6L	
	96	16114-10400	SCREW-THROTTLE ADJUST	2	10	1.6L	
	97	16190-10401	SPRING-STARTER RETURN	2	10	1.6L	
	98	16190-H2710	SPRING-STARTER RETURN	2		1.6L	Y
	99	16072-14610	WASHER-5	2	10	1.6L	
	100	16147-14611	PLATE-CONNECTING, "B"	2	5	1.6L EXC SPLU	
	101	16147-14710	PLATE-CONNECTING, "B"	2	5	SPLU	
	102	16116-14610	SLEEVE-"B"	2	10	1.6L	
	103	16157-14610	SPRING-CONNECTING	2	10	1.6L	

REVISED: JUNE, 1972

B = 5

Printed in Japan







FIG. 8 G8 NISSAN MOTOR CO., LTD.

S	KEY NO.	PART NO.	PART NAME	QTY	SALES UNIT	MODEL	ICA
	142	16364-14600	CLIP-THROTTLE WIRE(TO E/# R-40000)	1	10	1.6L	
	143	16364-14601	CLIP-THROTTLE WIRE(FROM E/# R-40001)	1	10	1.6L	N
	144	00369-01210	SCREW	1	50	1.6L	
	145	16365-14600	ARM-SHAFT(TO E/# R-40000)	2	10	1.6L	
	146	16365-14601	ARM-SHAFT(FROM E/# R-40001)	2	5	1.6L	N
	147	16367-14600	ARM-THROTTLE ADJUST SCREW(TO E/# R-40000)	1	5	1.6L	
	148	16367-14601	ARM-THROTTLE ADJUST SCREW(FROM E/# R-40001)	1	5	1.6L	N
	149	00334-02010	SCREW	4	50	1.6L	
	150	00916-41010	WASHER-TOOTH	4	50	1.6L	
	151	16370-14600	ASSY-ROD,CONNECTING(TO E/# R-40000)	2	5	1.6L	
	152	16370-14601	ASSY-ROD,CONNECTING(FROM E/# R-40001)	2	5	1.6L	N
	153	16373-14600	TURN-BACKLE,CONNECTING ROD(TO E/# R-40000)	2	10	1.6L	
	154	16373-14601	TURN-BACKLE,CONNECTING ROD(FROM E/# R-40001)	2	5	1.6L	N
	155	16373-14605	TURN-BACKLE,CONNECTING ROD(FROM E/# R-40001)	2	5	1.6L	Y
	156	16374-14600	NUT(TO E/# R-40000)	2	10	1.6L	
	157	16374-16810	NUT(FROM E/# R-40001)	2	10	1.6L	N
	158	16375-14600	NUT(TO E/# R-40000)	2	10	1.6L	
	159	16375-16810	NUT(FROM E/# R-40001)	2	10	1.6L	N
	160	00369-01210	SCREW TO FIX BRACKET	2	50	1.6L	
	161	00915-11010	WASHER-LOCK TO FIX BRACKET	2	50	1.6L	

R - 8

Printed in Japan

REVISED: JUNF, 1972

NISSAN MOTOR CO., LTD.

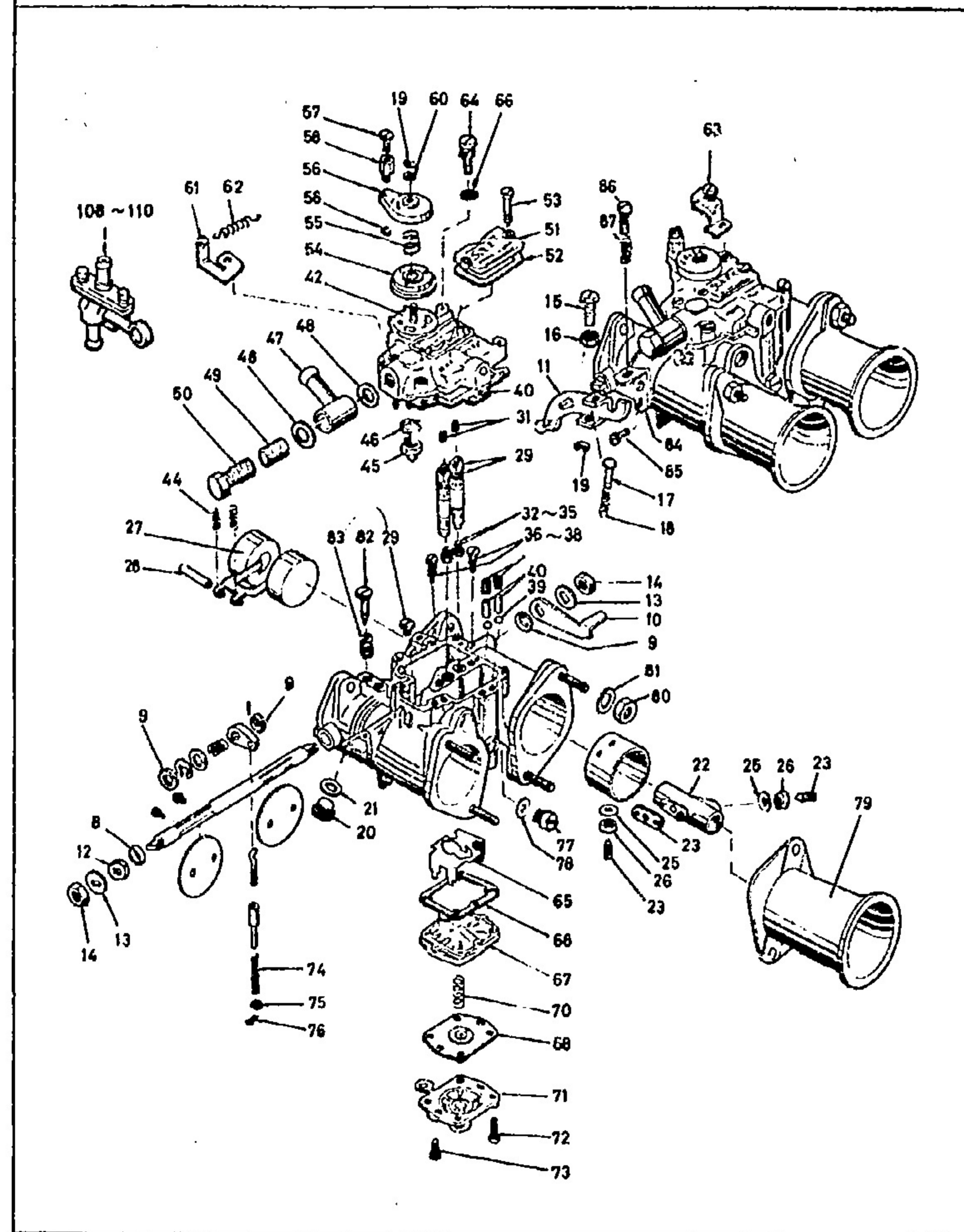
FIG. 8

S	KEY NO.	PART NO.	PART NAME	QTY	SALES UNIT	MODEL	ICA
	162	17524-12200	TUBE-FLEXIBLE,FUEL PUMP TO CARBURETOR(FRONT)	1	5	1.6L	
	163	17525-12200	TUBE-FLEXIBLE,FUEL PUMP TO CARBURETOR(REAR)	1	5	1.6L	
	164	08742-20020	TUBE-FLEXIBLE (L=2200)	1	5	1.6L	C
	165	00721-11510	CLAMP-TUBE	4	10	1.6L	
	166	16020-16810	CONNECTOR-VACUUM TUBE	1	10	1.6L	
		1600-1625	Kit-A repair for carburetor				
		1607-8500	120 packing	1			
		1612-10500	100 packing	1			
		1613-10500	100 washer	1			
		1614-10500	100 washer	2			
		1615-10500	100 washer	2			
		1616-10500	100 washer	2			
		1617-10500	100 washer	2			
		1618-10500	100 washer	2			
		1619-10500	100 washer	2			
		1620-10500	100 washer	2			
		1621-10500	100 washer	2			
		1622-10500	100 washer	2			
		1623-10500	100 washer	2			
		1624-10500	100 washer	2			
		1625-10500	100 washer	2			
		1626-10500	100 washer	2			
		1627-10500	100 washer	2			
		1628-10500	100 washer	2			
		1629-10500	100 washer	2			
		1630-10500	100 washer	2			
		1631-10500	100 washer	2			
		1632-10500	100 washer	2			
		1633-10500	100 washer	2			
		1634-10500	100 washer	2			
		1635-10500	100 washer	2			
		1636-10500	100 washer	2			
		1637-10500	100 washer	2			
		1638-10500	100 washer	2			
		1639-10500	100 washer	2			
		1640-10500	100 washer	2			
		1641-10500	100 washer	2			
		1642-10500	100 washer	2			
		1643-10500	100 washer	2			
		1644-10500	100 washer	2			
		1645-10500	100 washer	2			
		1646-10500	100 washer	2			
		1647-10500	100 washer	2			
		1648-10500	100 washer	2			
		1649-10500	100 washer	2			
		1650-10500	100 washer	2			
		1651-10500	100 washer	2			
		1652-10500	100 washer	2			
		1653-10500	100 washer	2			
		1654-10500	100 washer	2			
		1655-10500	100 washer	2			
		1656-10500	100 washer	2			
		1657-10500	100 washer	2			
		1658-10500	100 washer	2			
		1659-10500	100 washer	2			
		1660-10500	100 washer	2			
		1661-10500	100 washer	2			
		1662-10500	100 washer	2			
		1663-10500	100 washer	2			
		1664-10500	100 washer	2			
		1665-10500	100 washer	2			
		1666-10500	100 washer	2			
		1667-10500	100 washer	2			
		1668-10500	100 washer	2			
		1669-10500	100 washer	2			
		1670-10500	100 washer	2			
		1671-10500	100 washer	2			
		1672-10500	100 washer	2			
		1673-10500	100 washer	2			
		1674-10500	100 washer	2			
		1675-10500	100 washer	2			
		1676-10500	100 washer	2			
		1677-10500	100 washer	2			
		1678-10500	100 washer	2			
		1679-10500	100 washer	2			
		1680-10500	100 washer	2			
		1681-10500	100 washer	2			
		1682-10500	100 washer	2			
		1683-10500	100 washer	2			
		1684-10500	100 washer	2			
		1685-10500	100 washer	2			
		1686-10500	100 washer	2			
		1687-10500	100 washer	2			
		1688-10500	100 washer	2			
		1689-10500	100 washer	2			
		1690-10500	100 washer	2			
		1691-10500	100 washer	2			
		1692-10500	100 washer	2			
		1693-10500	100 washer	2			
		1694-10500	100 washer	2			
		1695-10500	100 washer	2			
		1696-10500	100 washer	2			
		1697-10500	100 washer	2			
		1698-10500	100 washer	2			
		1699-10500	100 washer	2			
		1700-10500	100 washer	2			
		1701-10500	100 washer	2			
		1702-10500	100 washer	2			
		1703-10500	100 washer	2			
		1704-10500	100 washer	2			
		1705-10500	100 washer	2			
		1706-10500	100 washer	2			
		1707-10500	100 washer	2			
		1708-10500	100 washer	2			
		1709-10500	100 washer	2			
		1710-10500	100 washer	2			
		1711-10500	100 washer	2			
		1712-10500	100 washer	2			
		1713-10500	100 washer	2			
		1714-10500	100 washer	2			
		1715-10500	100 washer	2			
		1716-10500	100 washer	2			
		1717-10500	100 washer	2			
		1718-10500	100 washer	2			
		1719-10500	100 washer	2			
		1720-10500	100 washer	2			
		1721-10500	100 washer	2			
		1722-10500	100 washer	2			
		1723-10500	100 washer	2			
		1724-10500	100 washer	2			
		1725-10500	100 washer	2			
		1726-10500	100 washer	2			
		1727-10500	100 washer	2			
		1728-10500	100 washer	2			
		1729-10500	100 washer	2			
		1730-10500	100 washer	2			
		1731-10500	100 washer	2			
		1732-10500	100 washer	2			
		1733-10500	100 washer	2			
		1734-10500	100 washer	2			
		1735-10500	100 washer	2			
		1736-10500	100 washer	2			
		1737-10500	100 washer	2			
		1738-10500	100 washer	2			
		1739-10500	100 washer	2			
		1740-10500	100 washer	2			
		1741-10500	100 washer	2			
		1742-10500	100 washer	2			
		1743-10500	100 washer	2			
		1744-10500	100 washer	2			
		1745-10500	100 washer	2			
		1746-10500	100 washer	2			
		1747-10500	100 washer	2			
		1748-10500	100 washer	2			
		1749-10500	100 washer	2			
		1750-10500	100 washer	2			
		1751-10500	100 washer	2			
		1752-10500	100 washer	2			
		1753-10500	100 washer	2			
		1754-10500	100 washer	2			
		1755-10500	100 washer	2			
		1756-10500	100 washer	2			
		1757-10500	100 washer	2			
		1758-10500	100 washer	2			
		1					



FIG. 8A-1 G9 NISSAN MOTOR CO., LTD.

CARBURETOR (2L "SOLEX") [1]



MARCH, 1972

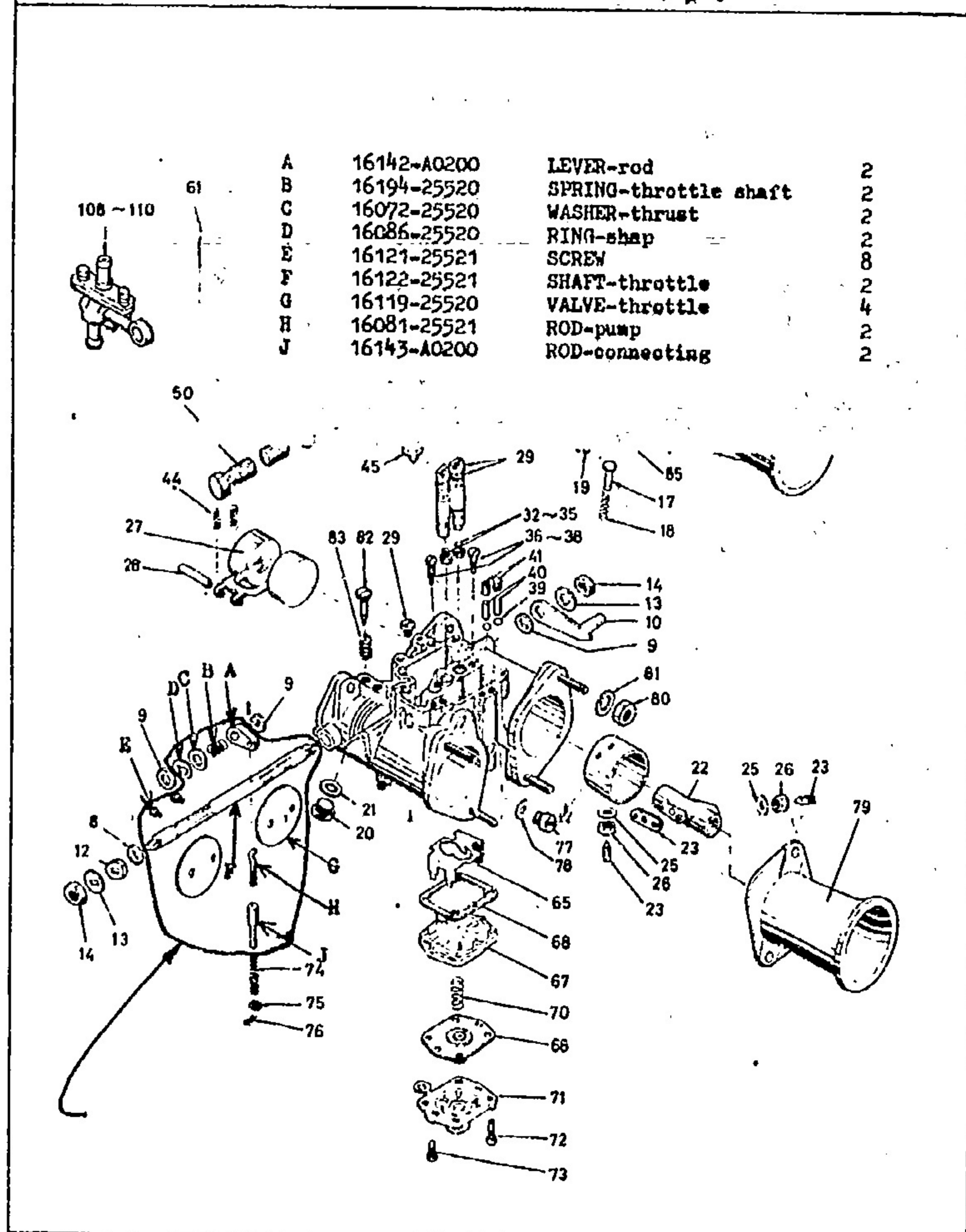
F8A - 1

Printed in Japan

FIG. 8A-1

NISSAN MOTOR CO., LTD.

CARBURETOR (2L "SOLEX") [1]



MARCH, 1972

F8A - 1

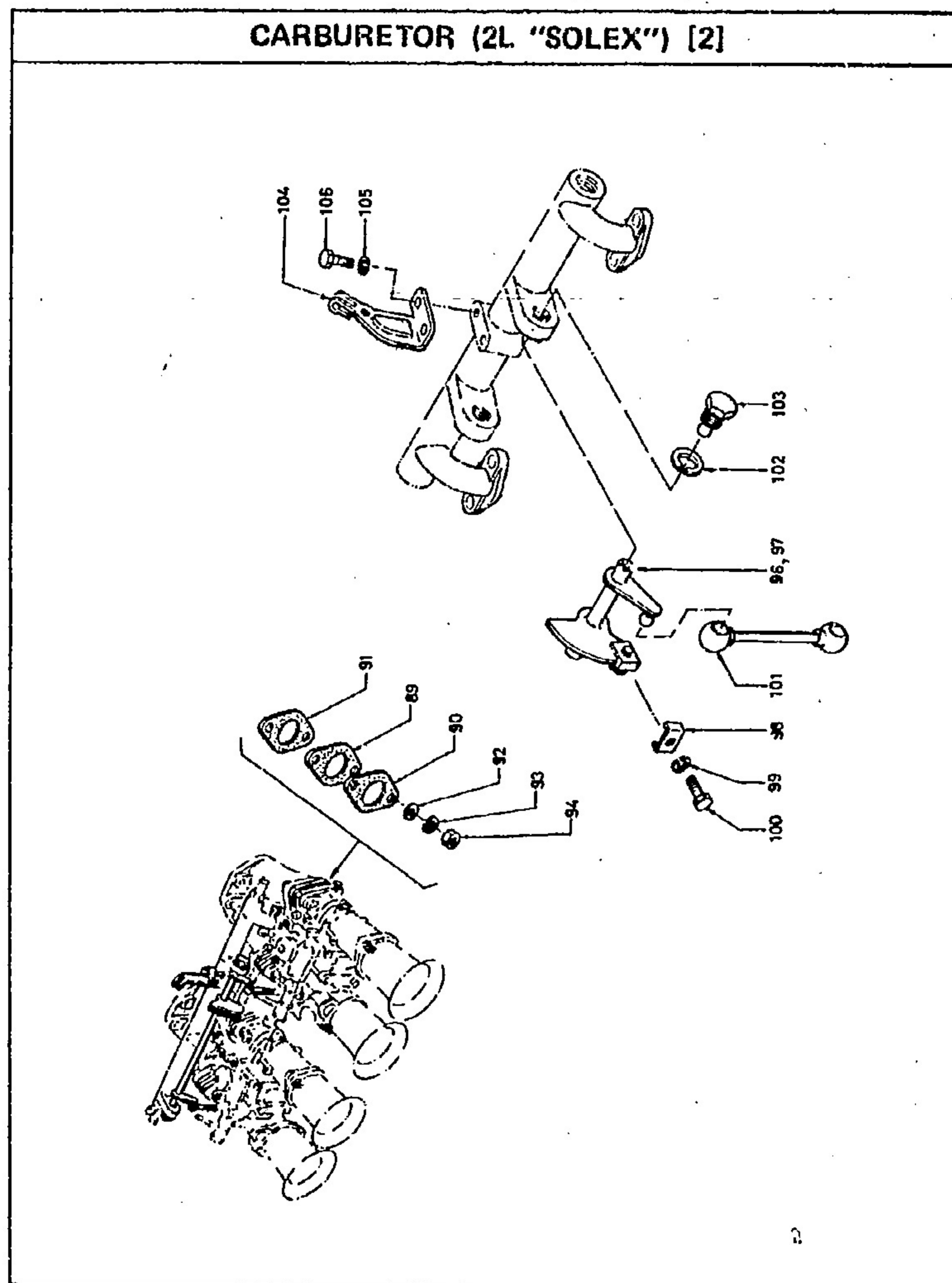
Printed in Japan



G10

NISSAN MOTOR CO., LTD.

FIG. 8A-2



MARCH, 1972

F8A - 2

Printed in Japan

FIG. 8A

NISSAN MOTOR CO., LTD.

S	KEY NO.	PART NO.	PART NAME	QTY	SALES UNIT	MODEL	ICA
<b>CARBURETOR (2L "SOLEX")</b>							
•	1	16010-25501	ASSY-CARBURETOR SOLEX	1	1	2L	
•	2	16010-25502	ASSY-CARBURETOR SOLEX	1		2L	Y
•	3	16010-25503	ASSY-CARBURETOR SOLEX	1	1	2L EXC, FRANCE	Y
•	4	16010-25505	ASSY-CARBURETOR SOLEX	1	1	2L EXC FRANCE	Y
•	5	16010-25504	ASSY-CARBURETOR SOLEX	1	1	2L FRANCE	N
•	6	16010-25506	ASSY-CARBURETOR SOLEX	1		2L FRANCE	Y
	7	16100-25520	ASSY-CARBURETOR, FRONT	1	1	2L	
	8	16100-25521	ASSY-CARBURETOR, REAR	1	1	2L	
	9	16263-25520	SPAL-B	1	10	2L	
	10	16133-25520	LEVER-CONNECTING, FRONT	1	10	2L	
	11	16134-25520	ASSY-LEVER THROTTLE, REAR	1	10	2L	
	12	16169-25520	NUT	2	10	2L	
	13	16126-25520	WASHER	4	10	2L	
	14	16124-25520	NUT-B	4	10	2L	
	15	16114-25520	SCREW	1	10	2L	
	16	16132-25520	NUT	1	10	2L	
	17	16184-25520	ROD-PUSH	1	10	2L	
	18	16145-25520	SCREW-ADJUST	1	10	2L	
	19	16292-25520	PISTON-STOP	1	10	2L	
	20	16031-25520	PLATE	4	10	2L	
	21	16074-25520	WASHER-12	4	10	2L	

REVISED: MARCH, 1972

F8A - 1

Printed in Japan



G11

NISSAN MOTOR CO., LTD.

FIG. 8A

S	KEY NO.	PART NO.	PART NAME	QTY	SALES UNIT	MODEL	ICA
	22	16013-25520	VENTURI-SMALL	4	1	2L	
	23	16130-25520	GASKET-VENTURI, SMALL	4	10	2L	
	24	16016-25520	SCREW-SET, VENTURI	4	10	2L	
	25	16015-25520	WASHER	4	10	2L	
	26	16018-25520	NUT	5	10	2L	
	27	16061-25520	ASSY-FLOAT	2	1	2L	
	28	16066-25520	PIN-FLOAT	2	10	2L	
	29	16059-25520	JLT-STARTER	2	10	2L	
	30	16163-25520	BLOCK-JET	4	10	2L	
	31	16036-25520	JET-MAIN AIR BLEED	4	10	2L	
	32	16033-25520	JLT-MAIN #160	4	10	2L	
	33	16034-25520	JLT-MAIN #155 (1000H)	4	10	OP 2L	
	34	16034-25521	JLT-MAIN #150 (2000H TO 3000H)	4	10	OP 2L	
	35	16034-25522	JLT-MAIN #145 (4000H)	4	10	OP 2L	
	36	16189-25520	JLT-SLOW	4	10	2L	
	37	16189-25521	JLT-SLOW #60	4	10	OP 2L	
	38	16189-25522	JLT-SLOW #55	4	10	OP 2L	
	39	16219-25520	RALL-PUMP, VALVE	4	10	2L	
	40	16285-25520	WEIGHT-PUMP, VALVE	4	10	2L	
	41	16286-25520	PLUG-PUMPPASSAGE	4	10	2L	
	42	16125-25520	COVER-FLOAT, CHAMBER	2	5	2L	
	43	16064-25520	GASKET-COVER, FLOAT	2	10	2L	
	44	16139-25520	SPRING-STOP	4	10	2L	
	45	16101-25520	ASSY-VALVE NEEDLE	2	5	2L	
	46	16094-25520	WASHER-12	2	10	2L	

REVISED: MARCH, 1972

R-A- 2

Printed in Japan

FIG. 8A

NISSAN MOTOR CO., LTD.

S	KEY NO.	PART NO.	PART NAME	QTY	SALES UNIT	MODEL	ICA
	47	16111-25520	NIPPLE-FUEL	2	5	2L	
	48	16076-25520	WASHER-12	4	10	2L	
	49	16098-25520	ASSY-FILTER	2	10	2L	
	50	16108-25520	BOLT-FILTER, SET	2	10	2L	
	51	16115-25520	COVER-JET, CHAMBER	2	10	2L	
	52	16299-25520	GASKET-COVER JET, CHAMBER	2	10	2L	
	53	16164-25520	SCREW-COVER, SET	4	10	2L	
	54	17638-25520	DISK-STARTER	2	5	2L	
	55	17639-25520	SPRING-STARTER	2	5	2L	
	56	17640-25520	COVER-STARTER	2	1	2L	
	57	16241-25520	BOLT	2	10	2L	
	58	16221-25520	COLLAR-CABLE, SET	2	10	2L	
	59	16292-25520	RING-SNAP	4	10	2L	
	60	16217-25520	WASHER-6	2	10	2L	
	61	16162-25520	BRACKET-SPRING, THROTTLE	1	5	2L	
	62	16160-25520	SPRING-THROTTLE	1	5	2L	
	63	16165-25520	ASSY-BRACKET, STARTER	1	5	2L	
	64	16185-25520	SCREW	4	10	2L	
	65	16220-25520	WASHER-5, 3	4	10	2L	
	66	16069-25520	PLATE-SEPARATE	2	5	2L	
	67	17620-25520	BODY-PUMP	2	10	2L	
	68	17618-25520	GASKET-PUMP, BODY	2	10	2L	
	69	17617-25520	ASSY-DIAPHRAGM, PUMP	2	1	2L	
	70	16140-25520	SPRING-DIAPHRAGM	2	10	2L	
	71	17619-25520	ASSY-COVER, PUMP	2	5	2L	

REVISED: MARCH, 1972

R-A- 3

Printed in Japan



G12

NISSAN MOTOR CO., LTD.

FIG. 8A

S	KEY NO.	PART NO.	PART NAME	QTY	SALES UNIT	MODEL	ICA
	72	14223-25520	SCREW	2	10	2L	
	73	14223-25521	SCREW-4	4	10	2L	
	74	14357-25520	SPRING-PUMP	7	10	2L	
	75	14219-25520	WASHER	2	10	2L	
	76	14091-25520	PIN-COTTER	2	10	2L	
	77	14030-25520	PLUG-PUMP, PASSAGE	2	10	2L	
	78	14029-25520	WASHER-Ø	2	10	2L	
	79	14244-25520	FUNNEL-AIR	4	5	2L	
	80	14131-25520	NUT	5	10	2L	
	81	14273-25520	WASHER-SPRING	5	10	2L	
	82	14214-25520	SCREW-ADJUST, IDLE	4	10	2L	
	83	14145-25520	SPRING-ADJUST, SCREW	4	10	2L	
	84	14287-25520	BRACKET-STOP, SCREW	1	10	2L	
	85	14077-25520	SCREW-5	2	10	2L	
	86	14129-25520	SCREW-STOP, THROTTLE	1	10	2L	
	87	14145-25520	SPRING-ADJUST, THROTTLE	1	10	2L	
	88	14174-25500	INSULATOR	4	1	2L	
	89	14174-25501	INSULATOR	4	1	2L	Y
	90	14176-20100	GASKET-INSULATOR, CARBU RETOR SIDE	4	10	2L	
	91	14275-25500	GASKET-INSULATOR, MANIF OLD SIDE	4	10	2L	
	92	0P915-43610	WASHER-PLAIN	16	50	2L	
	93	0P915-13510	WASHER-SPRING	16	50	2L	
	94	0P911-20810	NUT-M5 X 1.0	16	50	2L	
	95	14330-25500	PLATE-HEAT SHIELD, CARBU RETOR	1	1	2L	

REVISED: MARCH, 1972

B-A-4

Printed in Japan

A FIG. 8A

NISSAN MOTOR CO., LTD.

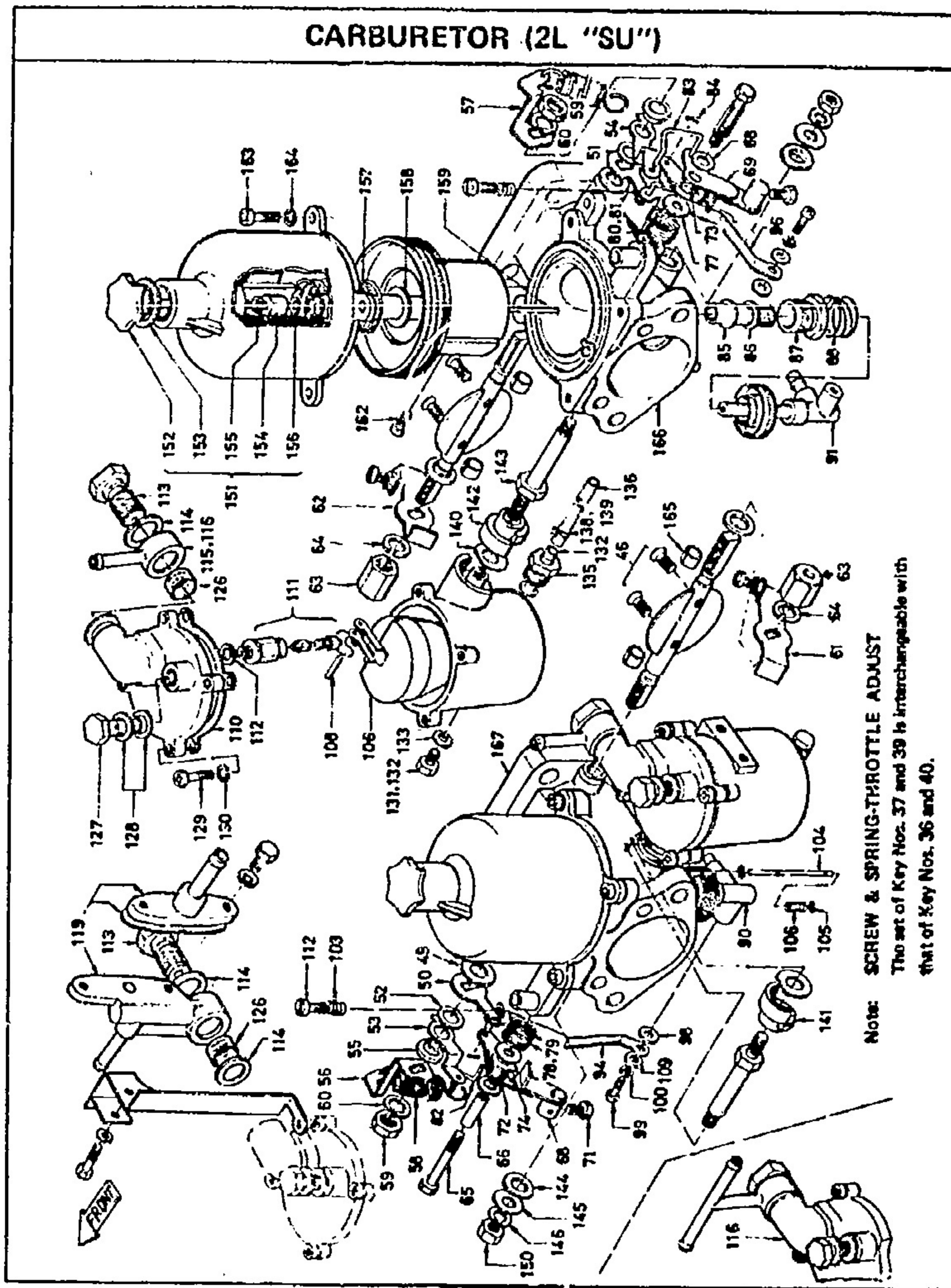
S	KEY NO.	PART NO.	PART NAME	QTY	SALES UNIT	MODEL	ICA
	96	14361-25500	ASSY-SHAFT, THROTTLE	1	1	2L	
	97	14362-25500	ASSY-DRUM, THROTTLE	1		2L	
	98	14364-14601	CLIP-THROTTLE WIRE	1	10	2L	
	99	0P915-13510	WASHER-SPRING	1	50	2L	
	100	0P360-51212	SCREW-M5 X 0.8 FOR SOL EX	1	50	2L	
	101	14370-25500	ROD-CONNECTING L61 FOR SOLEX	1	5	2L	
	102	0P915-14210	WASHER-SPRING FOR SOLE X	2	50	2L	
	103	14380-10810	BOLT-BALL JOINT M12 X 1.25 FOR SOLEX	2	10	2L	
	104	14376-25500	BRACKET-THROTTLE WIRE FOR SOLEX	1	5	2L	
	105	0P915-13510	WASHER-SPRING FOR SOLE X	2	50	2L	
	106	0P360-51410	SCREW-M5 X 0.8 FOR SOL EX	2	50	2L	
	107	14062-25600	PLATE-HEAT SHIELD (FRD M OCT-67)	1	1	5RLU	
	108	14111-25610	VALVE-FUFL RETURN	1	1	2L	
	109	14111-A7710	VALVE-FUFL RETURN	1	1	2L	Y
	110	14111-A7711	VALVE-FUFL RETURN	1	1	2L	Y

REVISED: MARCH, 1972

B-A-5

Printed in Japan





KEY NO.	PART NO.	PART NAME	QTY	SALES UNIT	MODEL	ICA
<b>CARBURETOR (2L "SU")</b> EXHAUST signifies <u>ONTARIO</u> and <u>USA</u> except <u>CAL.</u> EVAPO signifies <u>CALIFORNIA</u> in <u>USA.</u>						
1	16010-25602	ASSY-CARBURETOR SU (HITACHI HJG46W-1C)	1	1 2L		
2	16010-25603	ASSY-CARBURETOR (ISO) (HITACHI HJG46W-1CK)	1	1 2L		Y
3	16010-A7010	ASSY-CARBURETOR (ISO) (HITACHI HJG46W-2)	1	1 2L		N
4	16010-A7011	ASSY-CARBURETOR (TO SEP-69)	1	1 2L EXC EXHAUST & EVAPO		Y
5	16010-A7031	CARBURETOR FRONT	1	1 2L EXC EXHAUST & EVAPO		N
6	16010-A7025	CARBURETOR FRONT (FRON OCT-69) (NOT FOR SALE)	1	1 2L EXC EXHAUST & EVAPO		N
7	16010-A7051	CARBURETOR REAR	1	1 2L EXC EXHAUST & EVAPO		N
8	16010-A7026	CARBURETOR REAR (NOT FOR SALE)	1	1 2L EXC EXHAUST & EVAPO		N
9	16010-25611	ASSY-CARBURETOR SU (HJG46W-5A) (FROM OCT-67)	1	1 SRLU		
10	16010-25612	ASSY-CARBURETOR SU (ISO)	1	1 SRLU		Y
11	16010-25613	ASSY-CARBURETOR SU (ISO)	1	1 SRLU		Y
12	16010-A7000	ASSY-CARBURETOR SU (HJG46W-7) (FROM JUL-69)	1	1 2L EXHAUST & EVAPO		N
13	16010-A7001	ASSY-CARBURETOR SU (HJG46W-7) (TO SEP-69)	1	1 2L EXHAUST & EVAPO		Y



FIG. 8B G14 NISSAN MOTOR CO., LTD.

S	KEY NO.	PART NO.	PART NAME	QTY	SALES UNIT	MODEL	ICA
	1*	14010-A7841	CARBURETOR FRONT	1	1	2L EXHAUST & EVAPO	
•	14	14010-A7842	CARBURETOR FRONT	1	1	2L EXHAUST & EVAPO	Y
	15	14010-A7891	CARBURETOR REAR	1	1	2L EXHAUST & EVAPO	
•	17	14010-A7892	CARBURETOR REAR	1	1	2L EXHAUST & EVAPO	Y
	18	14174-25600	INSULATOR	2	1	2L	
	19	14031-25600	TOPL-OVER FLOW 230 MM	2	5	2L	
	20	07915-13510	WASHER-PLAIN	8	50	2L	
	21	07915-13510	WASHER-SPRING	8	50	2L	
	22	07911-20810	NUT-MBX1	8	50	2L	
	23	14330-25600	PLATE-HEATSHIELD	1	1	2L	
	24	07915-13510	WASHER-PLAIN	2	50	2L	
	25	07915-13510	WASHER-SPRING	2	50	2L	
	26	07120-01210	BOLT-MBX1	2	50	2L	
	27	14361-25600	SHAFT-THROTTLE	1	1	2L	
•	28	14362-25500	DRUM-THROTTLE	1	1	2L	
	29	14361-25500	DRUM-THROTTLE	1	1	2L	Y
	30	14364-14601	CLIP-THROTTLE WIRE	1	10	2L	
	31	07915-13510	WASHER-SPRING	1	50	2L	
	32	07360-51212	SCREW-MBX0.8	1	50	2L	
	33	14370-25600	RJD-CONNECTING 56 MM	1	5	2L	
•	34	14381-25670	SHAFT-THROTTLE	1	1	2L	
	35	14381-25601	SHAFT-THROTTLE	1	1	2L	Y
	36	14376-14600	SPRING-ADJ SCREW	2	10	2L	

NISSAN MOTOR CO., LTD.

FIG. 8B

S	KEY NO.	PART NO.	PART NAME	QTY	SALES UNIT	MODEL	ICA
•	37	14376-25600	SPRING-ADJ SCREW (NOT ADOPTED)	2		SRLU	N
	38	14379-14601	SCREW-THROTTLE ADJUST	1	10	2L EXC, SRLU	
•	39	14379-25600	SCREW-THROTTLE ADJUST (NOT ADOPTED)	1		SRLU	
•	40	14379-25679	SCREW-THROTTLE ADJUST (NOT FOR SALE)	1	10	SRLU	"
	41	07915-14210	WASHER-SPRING	2	50	2L	
	42	14380-18810	BOLT-BALL JOINT M12X12	2	10	2L	
	43	14376-25600	BRACKET-THROTTLE WIRE	1	5	2L	
	44	14376-25601	BRACKET-ACCELE WIRE (FOR BUM OCT-67)	1	5	SRLU	
	45	07915-13510	WASHER-SPRING	2	50	2L	
	46	07360-51410	SCREW-MBX0.8	2	50	2L	
	47	14263-25610	SEAL	1	10	2L	
	48	14121-25610	SCREW 4 MM	4	10	2L	
	49	14142-25610	FILTER-THROTTLE SHAFT	4	10	2L	
	50	14127-25610	LEVER-ADJUST A	1	5	2L	
	51	14127-25611	LEVER-ADJUST B	1	5	2L	
	52	14054-14610	WASHER 8 MM	2	10	2L	
	53	14277-25610	LEVER-FAST IDLE A	1	5	2L	
	54	14277-25611	LEVER-FAST IDLE B	1	5	2L	
	55	14239-14610	SLEEVE	2	1	2L	
	56	14247-25610	HANDLER-SPRING A	1	10	2L	
	57	14247-25611	HANDLER-SPRING B	1	5	2L	
	58	14194-25610	SPRING-THROTTLE	2	5	2L	
	59	14214-85060	NUT 8 MM	2	10	2L	



FIG. 8B G15 NISSAN MOTOR CO., LTD.

S	KEY NO.	PART NO.	PART NAME	QTY	SALES UNIT	MODEL	ICA
	60	23109-30000	WASHER-SPRING	2	10	2L	
	61	16134-25610	LEVER-THROTTLE A	1	5	2L	
	62	16134-25611	LEVER-THROTTLE	1	5	2L	
	63	16134-25610	NUT 8 MM	2	10	2L	
	64	23109-30000	WASHER-SPRING	2	10	2L	
	65	16185-10400	BOLT	2	10	2L	
	66	16076-14610	WASHER-SPRING	2	10	2L	
	67	16217-10401	WASHER 7 MM	4	10	2L	
	68	16238-25610	LEVER-CHOKE A	1	5	2L	
	69	16238-25611	LEVER-CHOKE B	1	5	2L	
	70	16116-112310	SLEEVE-CHOKE LEVER	2	10	2L	
	71	16185-14610	BOLT 5 MM	2	10	2L	
	72	16157-73410	SPRING-CONNECTING A	1	10	2L	
	73	16157-14610	SPRING-CONNECTING B	1	10	2L	
	74	16147-73411	PLATE-CONNECTING A	1	5	2L	
	75	16147-14611	PLATE-CONNECTING B	1	5	2L	
	76	16116-14610	SLEEVE	2	10	2L	
	77	16072-14610	WASHER 5 MM	2	10	2L	
	78	16190-73410	SPRING-RETURN A	1	10	2L	
	79	16190-112711	SPRING-RETURN A	1		2L	Y
	80	16190-10401	SPRING-RETURN B	1	10	2L	
	81	16190-112710	SPRING-RETURN B	1		2L	Y
	82	16240-25610	ROD-CONNECTING A	1	10	2L	
	83	16240-25611	ROD-CONNECTING B	1	10	2L	
	84	16091-10560	PIA-COTTER	4	10	2L	
	85	16351-10400	SLEEVE-NOZZLE	2	5	2L	

REVISED: MARCH, 1972

Form 4

Printed in Japan

NISSAN MOTOR CO., LTD.

FIG. 8B

S	KEY NO.	PART NO.	PART NAME	QTY	SALES UNIT	MODEL	ICA
	86	16130-25610	WASHER-10	2	10	2L	
	87	16027-10400	SCREW-SET SCREW	2	5	2L	
	88	16145-10400	SPRING-IDLE ADJUST	2	10	2L	
	89	16145-25610	NUT-IDLE ADJUST	2	10	2L	
	90	16355-25610	ASSY-NOZZLE, FRONT	1	2	2L	
	91	16355-25611	ASSY-NOZZLE, REAR	1	2	2L	
	92	16355-25612	ASSY-NOZZLE	2	2	2L	
	93	16355-25615	ASSY-NOZZLE	2	5	2L EXHAUST & EVAPO	
	94	16147-25610	PLATE-CONNECTING, FRONT	1	5	2L	
	95	16147-25612	PLATE-CONNECTING, FRONT	1	5	2L	
	96	16147-25611	PLATE-CONNECTING, REAR	1	5	2L	
	97	16147-25613	PLATE-CONNECTING, REAR	1	5	2L	
	98	22185-50000	WASHER-40	2	10	2L	
	99	16123-14610	SLEEVE	2	10	2L	
	100	22592-09400	SCREW-40	2	10	2L	
	101	22156-65060	WASHER-SPRING 40	2	100	2L	
	102	16114-25610	SCREW-ADJUST THROTTLE	2	10	2L	
	103	16193-10400	SPRING-ADJUST SCREW	2	5	2L	
	104	16324-10400	LIFTER-PISTON	2	10	2L	
	105	16326-10400	RING E	4	10	2L	
	106	16325-10400	SPRING-LIFTER	2	5	2L	
	107	16061-25610	ASSY-FLOAT	2	1	2L	
	108	16066-25610	SHAFT-FLOAT	2	10	2L	
	109	16064-10400	GASKET-FLOAT CHAMBER	2	10	2L	
	110	16064-22010	GASKET-FLOAT CHAMBER	2	10	2L	Y

REVISED: MARCH, 1972

Form 5

Printed in Japan



FIG. 8B G16 NISSAN MOTOR CO., LTD.

S	KEY NO.	PART NO.	PART NAME	QTY	SALES UNIT	MODEL	ICA
	111	14101-25610	ASSY-VALVE, NEEDLE	2	10 2L		
	112	14094-25610	WASHER-60	2	10 2L		
	113	14106-12010	BOLT-FILTER	2	5 2L		
	114	14094-76500	WASHER-120	4	10 2L		
	115	14111-35210	NIPPLE-FUEL	2	5 2L EXC SRLU		
	116	14111-66810	NIPPLE-FUEL	2	5 2L EXC SRLU		Y
	117	14111-25611	CONNECTOR FUEL FRONT	1	5 SRLU		
	118	14111-A7715	NIPPLE FUEL (NOT FOR SALE)	1	SRLU		Y
	119	14111-25615	VALVE FUEL RETURN ASSY REAR	1	1 SRLU		
	120	14111-25613	VALVE FUEL RETURN ASSY REAR W/BACKET FOR 16010-25613	1	SRLU		
	121	14111-A7710	VALVE FUEL RETURN ASSY REAR W/BACKET FOR 16010-A7700	1	1 SRLU		Y
	122	14111-A7711	VALVE FUEL RETURN ASSY REAR W/BACKET FOR 16010-A7700	1	1 SRLU		Y
	123	14111-A7712	VALVE FUEL RETURN ASSY REAR W/BACKET FOR 16010-A7800	1	SRLU		Y
	124	14111-25614	KIT BRACKET FUEL CONNECTOR FOR 16010-25611	1	5 SRLU		
	125	14111-25615	KIT BRACKET FUEL CONNECTOR FOR 16010-25612	1	5 SRLU		N
	126	14098-73001	FILTER	2	10 2L		
	127	14331-10400	SLIP-SET NIPPLE	2	10 2L		
	128	14335-10400	PACKING-10	4	10 2L		
	129	14129-73013	SLIP-50	2	10 2L		

REVISED: MARCH, 1972

E-P-6

Printed in Japan

NISSAN MOTOR CO., LTD.

FIG. 8B

S	KEY NO.	PART NO.	PART NAME	QTY	SALES UNIT	MODEL	ICA
	130	27502-30000	WASHER-SPRING	1	10 2L		
	131	14031-10560	PLUG-DRAIN	2	10 2L		
	132	14031-A8710	PLUG-DRAIN	2	10 2L		Y
	133	14060-10400	WASHER-60	2	10 2L		
	134	14357-12210	SLEEVE	2	10 2L		
	135	14359-12210	NUT-SLEEVE	2	10 2L		
	136	14356-12210	PIPE-FUEL	2	10 2L		
	137	14356-25610	PIPE-FUEL	2	5 2L		
	138	14356-12211	CLIP	4	10 2L		
	139	14358-14310	CLIP	4	10 2L		Y
	140	14217-25610	WASHER	2	10 2L		
	141	14227-25610	ADAPTER-GUN, FRONT	1	10 2L		
	142	14227-25611	ADAPTER-GUN, REAR	1	10 2L		
	143	14322-25610	BOLT-60	2	10 2L		
	144	14228-25610	WASHER-GUN	2	10 2L		
	145	14218-25610	WASHER-60	2	10 2L		
	146	27263-50000	WASHER-SPRING	2	50 2L		
	147	14137-A7810	PLATE STOPPING FOR 16010-A7801	1	5 2L		
	148	14136-A7810	BRACKET FOR 16010-A7801	1	5 2L		
	149	14136-A7710	LEVER-LOCK FOR 16010-A7801	2	10 2L		
	150	14058-25610	NUT-60	2	10 2L		
	151	14341-75610	ASSY-NUT, COP	2	2 2L		
	152	14341-10410	NUT-OIL CAP	2	10 2L		
	153	14342-10400	PACKING-100	2	5 2L		

REVISED: MARCH, 1972

E-P-7

Printed in Japan



FIG. 8B H1 NISSAN MOTOR CO., LTD.

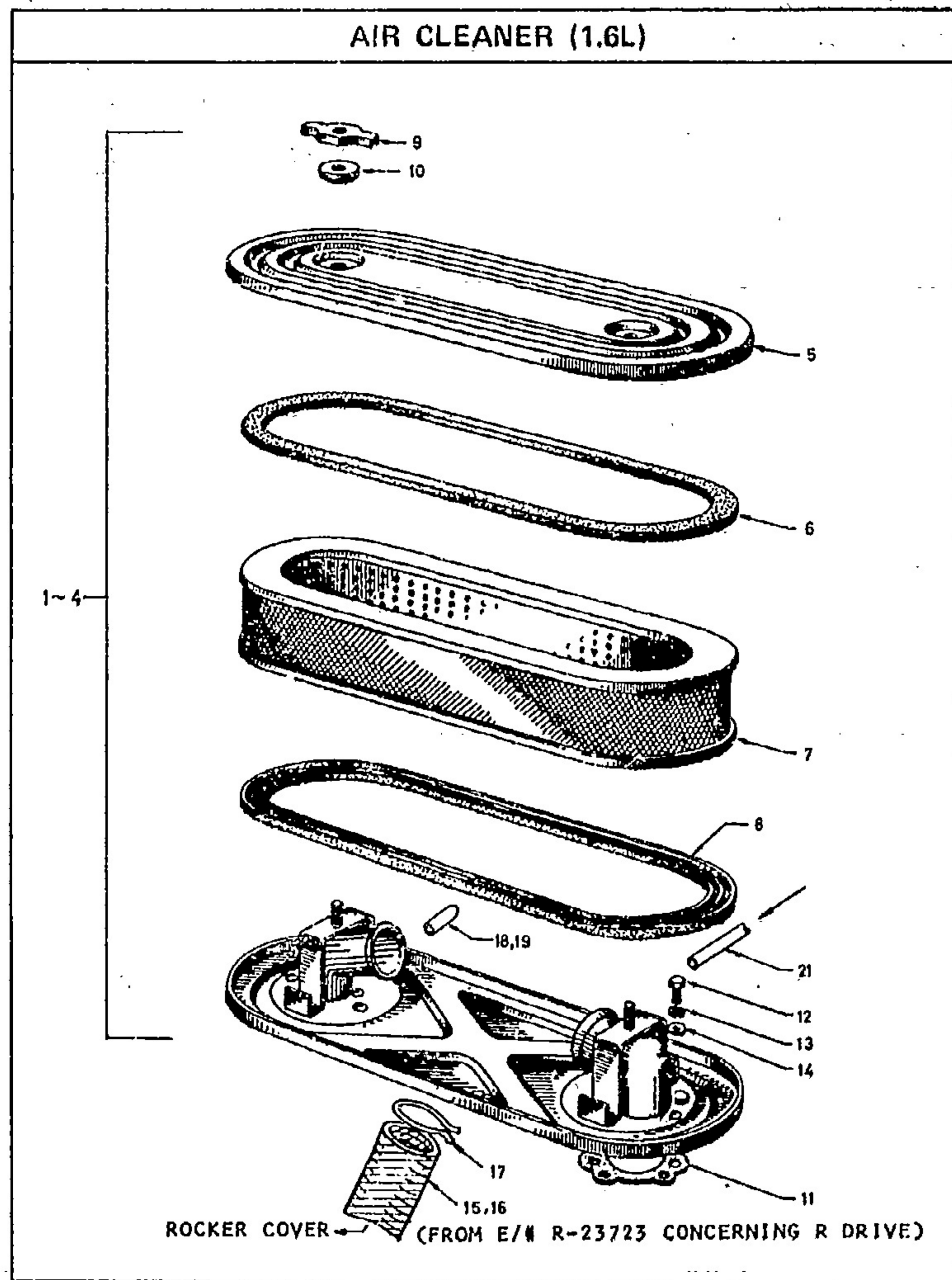
S	KEY NO.	PART NO.	PART NAME	QTY	SALES UNIT	MODEL	ICA
	154	16343-12210	PLUNGER-OIL DAMPER	2	5	2L	
	155	16344-10400	WASHER	2	5	2L	
	156	16345-10400	RING-C	2	10	2L	
	157	16346-25610	SPRING-SUCTION	2	10	2L	
	158	16347-10400	PACKING	2	5	2L	
	159	16354-25610	JET-NEEDLE (N-19)	2	10	2L	
	160	16354-25611	JET-NEEDLE	2	10	2L	
	161	16354-A7810	JET-NEEDLE (N-25) FOR 16010-A7801	2	10	2L	
	162	16219-10400	SCREW-SET NEEDLE JET	2	10	2L	
	163	16129-73013	SCREW-5D	5	10	2L	
	164	23502-30000	WASHER-SPRING	5	10	2L	
	165	16263-25610	SEAL	4	10	2L	
	166	16293-A7812	KIT-CHAMBER THROTTLE FRONT CARB FOR 16010-A 7801	1	1	2L EXHAUST & EVAP	
	167	16293-A7819	KIT-CHAMBER THROTTLE REAR CARB FOR 16010-A7 801	1	1	2L EXHAUST & EVAP	

REVISED: MARCH, 1972

B-P- B

Printed in Japan





KEY NO.	PART NO.	PART NAME	QTY	SALES UNIT	MODEL	ICA
<b>AIR CLEANER (1.6L)</b>						
1	16500-14700	ASSY-CLEANER, AIR (FROM E/W R-23723)	1	1	U.S.A. ONLY	
2	16500-14600	ASSY-CLEANER, AIR	1	1	1.6L (EXC. IN U.S.A.)	
3	16500-14700	ASSY-CLEANER, AIR (FROM E/W R-23723)	1	1	1.6L EXC. IN U.S.A.	
4	16500-14700	ASSY-CLEANER, AIR (FROM JULY-69)	1	1	1.6L EVAPOR	
5	16526-12200	ASSY-COVER, UPPER	1	1	1.6L	
6	16547-12200	PACKING	1	5	1.6L	
7	16546-12200	ASSY-ELEMENT	1	1	1.6L	
8	16547-12200	PACKING	1	5	1.6L	
9	16551-08000	NUT-WING	2	10	1.6L	
10	16560-08000	PACKING	2	10	1.6L	
11	16523-12200	GASKET-CARBURETOR TO AIR CLEANER	2	5	1.6L	
12	00114-51610	BOLT TO FIX CARBURETOR TO AIR CLEANER	4	50	1.6L	
13	00915-11510	WASHER-LOCK TO FIX CARBURETOR TO AIR CLEANER	4	50	1.6L	
14	00915-11510	WASHER-PLAIN TO FIX CARBURETOR TO AIR CLEANER	4	50	1.6L	
15	16571-10300	HOSE-ROCKER COVER TO AIR CLEANER	1	1	USA	
16	16571-14700	ASSY-HOSE, ROCKER COVER TO AIR CLEANER (FROM E/W R-23723)	1	5	1.6L	Y
17	16572-10601	CLAMP-HOSE	2	10	U.S.A. ONLY	



FIG. 9 H3 NISSAN MOTOR CO., LTD.

S	KEY NO.	PART NO.	PART NAME	QTY	SALES UNIT	MODEL	ICA
	18	00933-13000	PLUG=WELCH	1	10	U.S.A.ONLY	
	19	00933-13010	PLUG=WELCH	1	10	U.S.A.ONLY	Y
	20	16033-A7400	CAP AIR CLEANER (FROM OCT-69)	1	10	1.6L EVAPOR	
	21	16032-A7700	TUBE=CARB TO AIR CLEANER	1	2	1.6L EVAPOR	

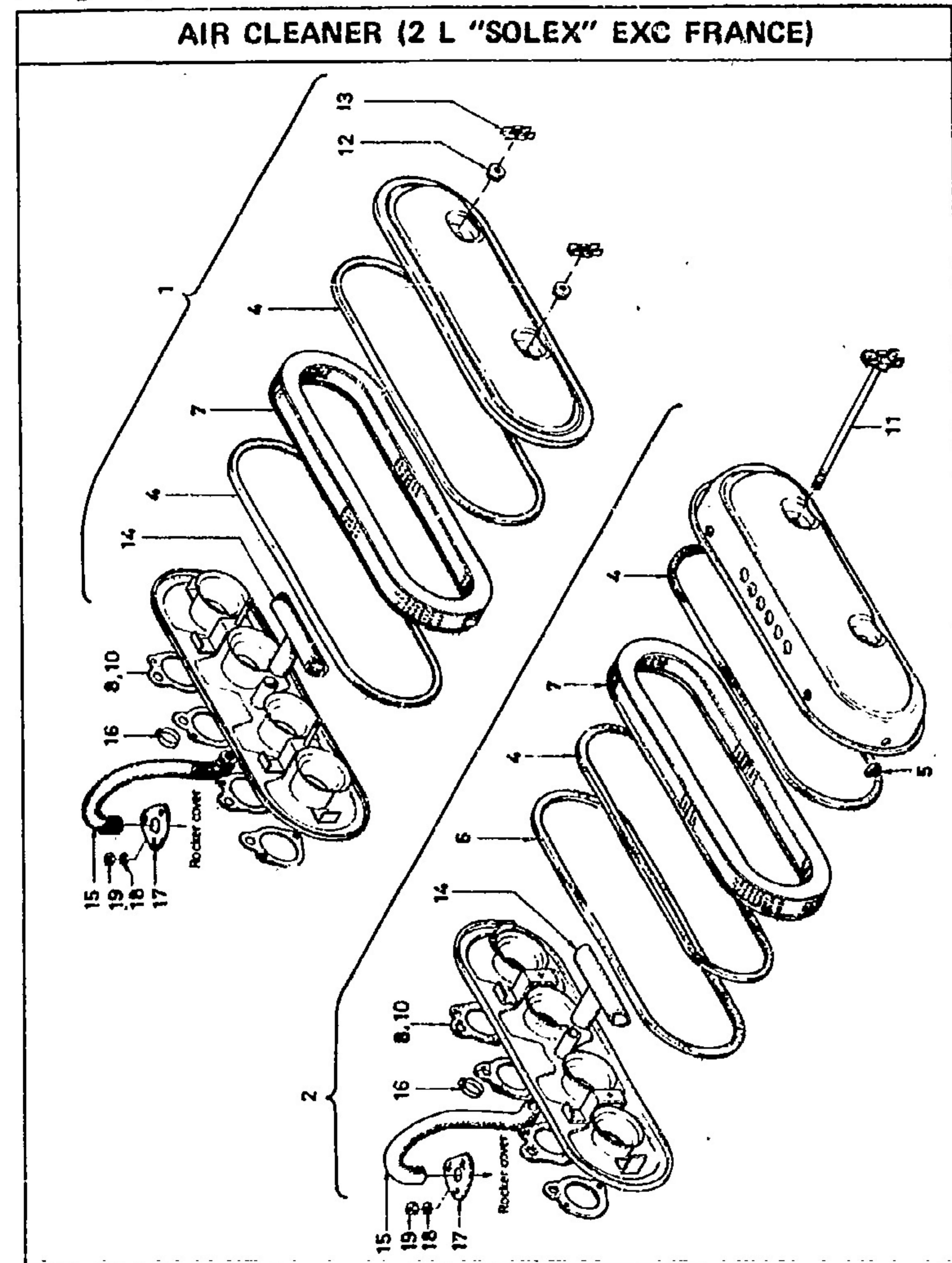
REVISED: MARCH, 1972

9- 2

Printed in Japan



FIG. 9A-1 H4 NISSAN MOTOR CO., LTD.



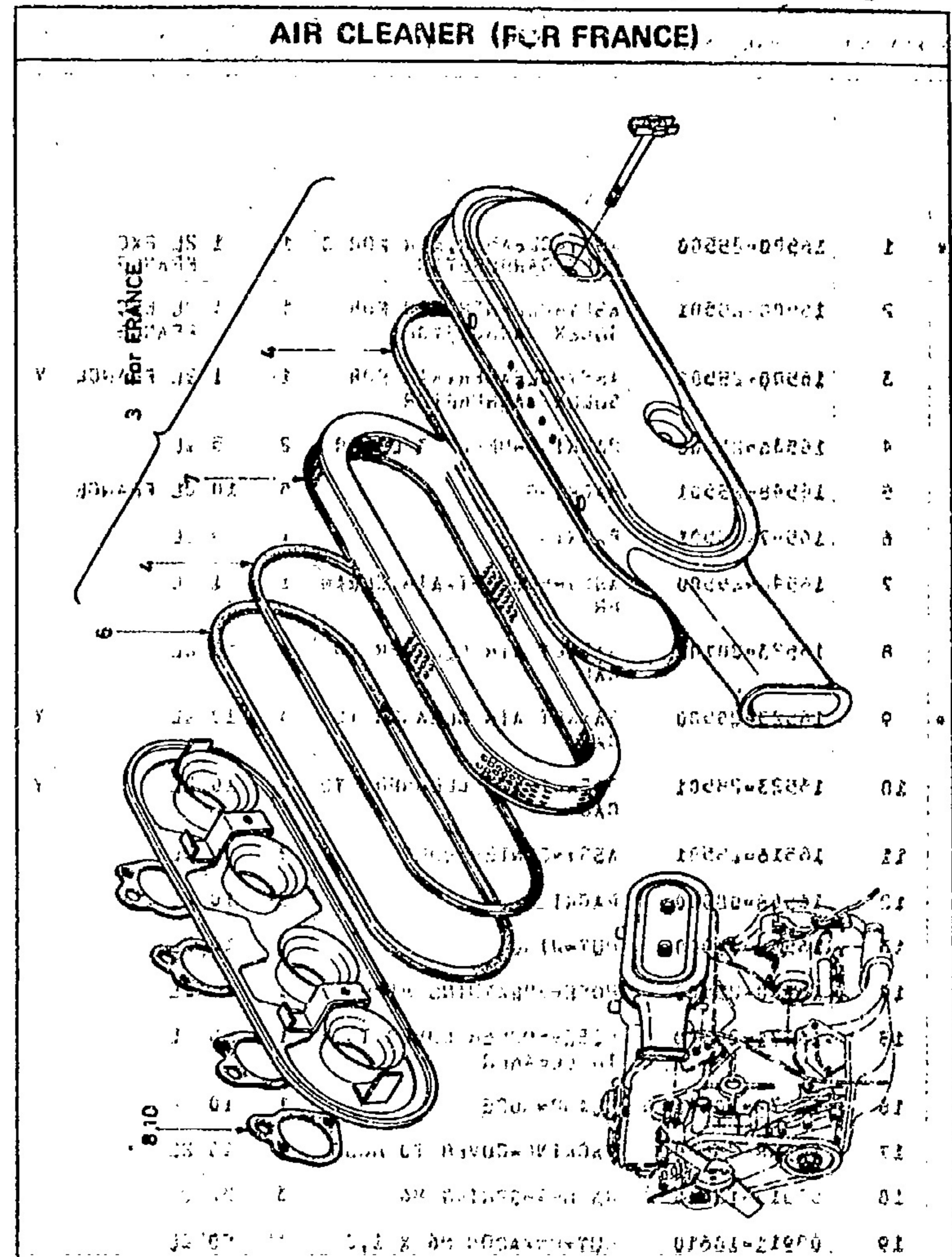
JUNE, 1969

F9A-1

Printed in Japan

NISSAN MOTOR CO., LTD.

FIG. 9A-2



JUNE, 1969

F9A-2

Printed in Japan

010001-21000



FIG. 9A H5 NISSAN MOTOR CO., LTD.

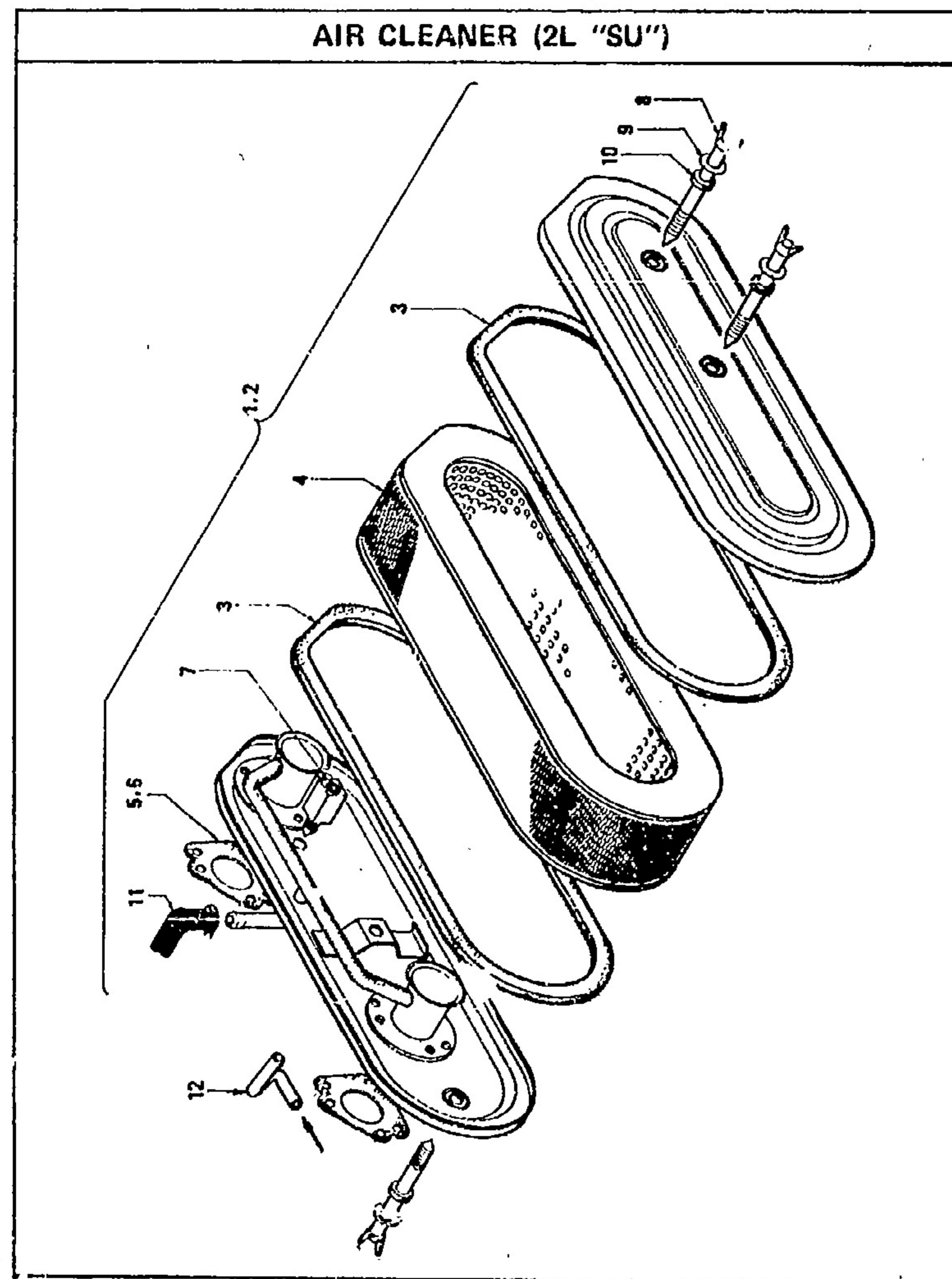
S	KEY NO.	PART NO.	PART NAME	QTY	SALES UNIT	MODEL	ICA
			<b>AIR CLEANER (3L "SOLEX")</b>				
•	1	16500-25500	ASSY-CLEANER, AIR FOR SOLEX CARBURETOR	1	1	2L EXC FRANCE	
	2	16500-25501	ASSY-CLEANER, AIR FOR SOLEX CARBURETOR	1	1	2L EXC FRANCE	
	3	16500-25502	ASSY-CLEANER, AIR FOR SOLEX CARBURETOR	1	1	2L FRANCE	Y
	4	16534-25500	PACKING-UPPER & LOWER	2	5	2L	
	5	16540-25501	PACKING	5	10	2L FRANCE	
	6	16547-25501	PACKING	1	5	2L	
	7	16546-25500	ASSY-ELEMENT, AIR CLEANER	1	1	2L	
	8	16523-20100	GASKET AIR CLEANER TO CAB	4	10	2L	
•	9	16523-25500	GASKET AIR CLEANER TO CAB	4	10	2L	Y
	10	16523-25501	GASKET AIR CLEANER TO CAB	4	10	2L	Y
	11	16516-25501	ASSY-CENTER BOLT	2	5	2L	
	12	16568-08000	PACKING	2	10	2L	
	13	16551-08000	NUT-WING	2	10	2L	
	14	16580-25500	HOSE-BREATHING PIPE	1		2L	
	15	16571-25500	HOSE-ROCKER COVER TO AIR CLEANER	1	5	2L	
	16	16572-10801	CLAMP-HOSE	1	10	2L	
	17	16568-25500	PACKING-COVER TO HOSE	1	10	2L	
	18	08915-13610	WASHER-SPRING M6	3	50	2L	
	19	08911-10610	NUT-HEXAGON M6 X 1,0	3	50	2L	

REVISED: 1969, DECEMBER

9-A- 1

Printed in Japan

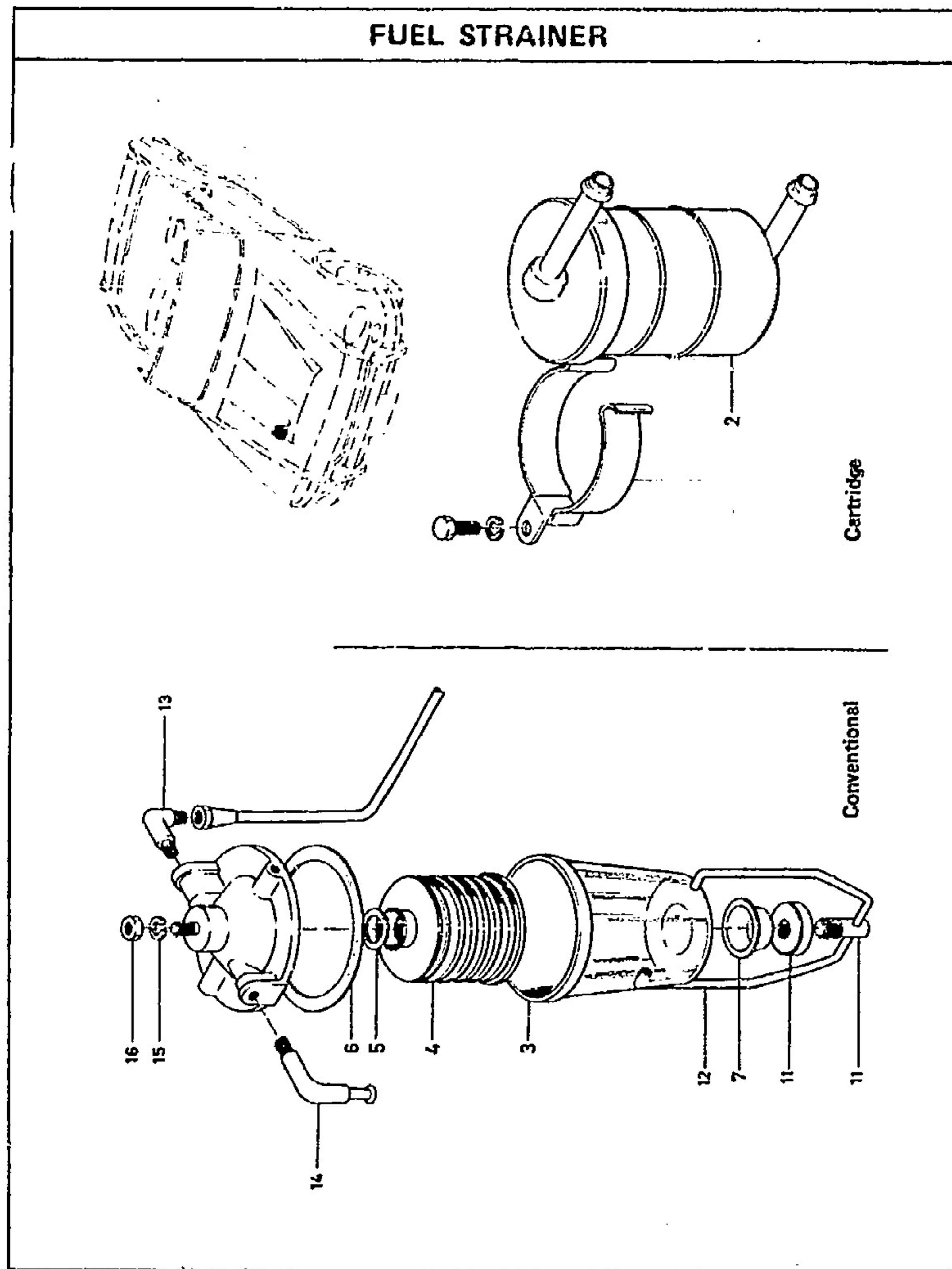




KEY NO.	PART NO.	PART NAME	QTY	SALES UNIT	MGDEL	ICA
<b>AIR CLEANER (2L "SU")</b>						
1	16500-25600	ASSY-AIR CLEANER FOR SU	1	1	2L EXC EVAPD	
2	16500-A7800	ASSY-AIR CLEANER FOR SU	1	1	2L EVAPD	
3	16536-25600	PACKING-UPPER & LOWER	2	5	2L	
4	16546-25600	ELEMENT-PAPER	1	1	2L	
5	16523-25600	PACKING	2	10	2L	
6	16523-E3210	PACKING	2	10	2L	V
7	16517-25600	CONNECTOR-SCREW	1	10	2L	
8	16516-25600	BOLT-CENTER	3	10	2L	
9	16555-37500	RETAINER	3	10	2L	
10	16568-37500	PACKING	3	10	2L	
11	16580-25600	HOSE-RUBBER	1	5	2L	
12	16031-A7800	TUBE-CARB TO AIR CLEANER	1		2L	



FIG. 10-1 H7 NISSAN MOTOR CO., LTD.



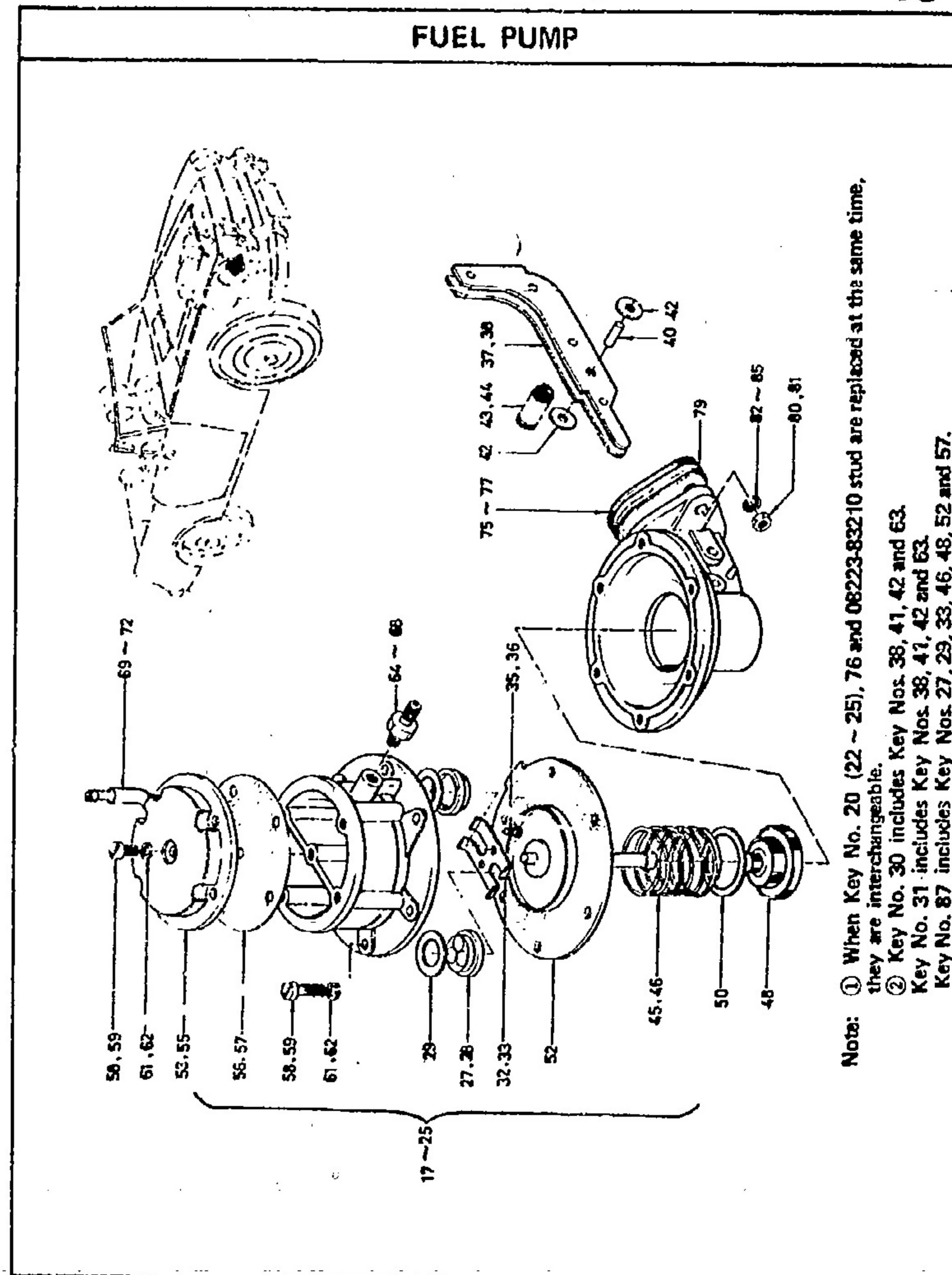
MARCH, 1972

F10 - 1

Printed in Japan

NISSAN MOTOR CO., LTD.

FIG. 10-2



Note: ① When Key No. 20 (22 ~ 25), 76 and 08223-83210 stud are replaced at the same time, they are interchangeable.  
 ② Key No. 30 includes Key Nos. 38, 41, 42 and 63.  
 Key No. 31 includes Key Nos. 38, 41, 42 and 63.  
 Key No. 87 includes Key Nos. 27, 29, 33, 46, 48, 52 and 57.

MARCH, 1972

F10-2

Printed in Japan



FIG. 10 H8 NISSAN MOTOR CO., LTD.

S	KEY NO.	PART NO.	PART NAME	QTY	SALES UNIT	MODEL	ICA
			<b>FUEL STRAINER &amp; PUMP</b>				
	1	16400-12200	FUEL STRAINER (TO SEP-67)	1	1	ALL	
	2	16400-25900	FUEL STRAINER, CARTRIDGE TYPE (FROM OCT-67)	1	1	ALL	N
	3	16402-50000	GLASS-BOWL (TO SEP-67)	1	5	ALL	
	4	16403-50000	ASSY-ELEMENT (TO SEP-67)	1	10	ALL	
	5	16406-50000	PACKING-ELEMENT (TO SEP-67)	1	50	ALL	
	6	16407-87260	PACKING-STRAINER (TO SEP-67)	1	50	ALL	
	7	16408-85060	WASHER (TO SEP-67)	1	10	ALL	
	8	16409-85060	BOLT (TO SEP-67)	1	10	ALL	
	9	16410-85060	NUT (TO SEP-67)	1		ALL	
	10	16410-58000	NUT (TO SEP-67)	1	10	ALL	Y
	11	16410-34200	NUT (TO SEP-67)	1	10	ALL	Y
	12	16411-07261	WIRE (TO SEP-67)	1	5	ALL	
	13	15233-85160	ELBOW-INLET (TO SEP-67)	1	10	ALL	
	14	17103-12200	CONNECTOR-PUMP TO STRAINER (TO SEP-67)	1	5	ALL	
	15	00915-11610	WASHER-LOCK (TO SEP-67)	1	50	ALL	
	16	00911-14610	NUT FIX STRAINER (TO SEP-67)	1	50	ALL	
	17	17010-12201	ASSY-FUEL PUMP (SHOWA) (TO E/R R=40000)	1	1	1.6L	

REVISED: MARCH, 1972

10 - 1

Printed in Japan

NISSAN MOTOR CO., LTD.

FIG. 10

S	KEY NO.	PART NO.	PART NAME	QTY	SALES UNIT	MODEL	ICA
	18	17010-18810	ASSY-FUEL PUMP (SHOWA) (FROM E/R R=40001 TO E/R R=59198)	1	1	1.6L	N
	19	17010-18815	ASSY-FUEL PUMP (KYOSAN) (FROM E/R R=40001 TO E/R R=59198)	1	1	1.6L	
	20	17010-18820	ASSY-FUEL PUMP (KYOSAN) (FROM E/R R=59199)	1	1	1.6L	C
	21	17010-14600	ASSY-FUEL PUMP (SHOWA) (TO E/R U20-02691)	1		2L	
	22	17010-14610	ASSY-FUEL PUMP (KYOSAN) (FROM E/R U20-02692)	1	1	2L (EXC SRLU)	C
	23	17010-14611	ASSY-FUEL PUMP (FROM E/R U20-02692)	1		2L (EXC SRLU)	Y
	24	17010-25910	ASSY-FUEL PUMP (KYOSAN) (FROM E/R U20-02692)	1	1	SRLU	C
	25	17010-25911	ASSY-FUEL PUMP (FROM E/R U20-02692)	1		SRLU	Y
	26	17065-58000	ASSY-VALVE, FUEL PUMP (SHOWA)	2	10	ALL	
	27	17065-52600	ASSY-VALVE, FUEL PUMP (SHOWA)	2	5	ALL	Y
	28	17065-13210	ASSY-VALVE (KYOSAN)	2	10	ALL	Y
	29	17061-50000	ASSY-PACKING, VALVE	2	50	ALL	
	30	17013-76210	ASSY-BODY, LOWER (FOR 17010-14610)	1	1	2L (EXC SRLU)	
	31	17013-00710	ASSY-BODY, LOWER (FOR 17010-25910)	1	1	SRLU	
	32	17072-01300	RETAINER-VALVE (SHOWA)	1	10	ALL	
	33	17072-32200	RETAINER-VALVE (KYOSAN)	1	10	ALL EXC SRLU	
	34	17072-75410	RETAINER VALVE (KYOSAN)	1	10	SRLU	
	35	17075-30100	SCREW-RETAINER (SHOWA)	2	10	ALL	

REVISED: MARCH, 1972

10 - 2

Printed in Japan



FIG. 10 H9 NISSAN MOTOR CO., LTD.

S	KEY NO.	PART NO.	PART NAME	QTY	SALES UNIT	MODEL	ICA
	36	17075-13210	SCREW-RETAINER(KYOSAN)	1	10	ALL	
	37	17015-32200	ASSY-ARM,ROCKER(TO E/F R=59190,E/F U20-02691)	1	5	ALL	
	38	17015-14610	ASSY-ROCKER ARM(KYOSAN)(FROM E/F U20-2692)	1	5	ALL	N
	39	17019-00000	PIN-SIDE ROCKER ARM(TO E/F R=59190,E/F U20-02691)	1	10	ALL	
	40	17019-00100	PIN-SIDE ROCKER ARM(TO E/F R=59190,E/F U20-02691)	1	10	ALL	Y
	41	17019-14610	PIN-SIDE ROCKER ARM(KYOSAN)(NOT FOR SALE)	1	10	ALL	N
	42	17016-00100	SPACER-SIDE ROCKER ARM(NOT FOR SALE)	2	10	ALL	
	43	17020-00100	SPRING-ROCKER ARM	1	10	ALL	
	44	17020-05060	SPRING-ROCKER ARM(KYOSAN)(FROM E/F U20-2692)	1	50	ALL	
	45	17051-32200	SPRING-DIAPHRAGM(SHOWA)	1	5	ALL	
	46	17052-73410	SPRING-DIAPHRAGM(KYOSAN)	1	5	ALL	
	47	17048-36700	SEAL-LOWER BODY(SHOWA)	1	1	ALL	
	48	17048-13910	SEAL-OIL(KYOSAN)	1	10	ALL	Y
	49	17047-36700	WASHER-SEAL,LOWER BODY	1	10	ALL	
	50	17047-13910	RETAINER-OIL SEAL(KYOSAN)(FROM E/F R=59190,U20-2692)	1	10	ALL	Y
	51	17053-32200	ASSY-DIAPHRAGM	1		ALL	
	52	17053-32201	ASSY-DIAPHRAGM	1	2	ALL	Y
	53	17082-61000	CAP-FUEL PUMP(SHOWA)	1	1	ALL	
	54	17082-12210	CAP-FUEL PUMP(KYOSAN)	1	1	ALL EXC SRLU	

10 - 3

Printed in Japan

REVISED: MARCH, 1972

NISSAN MOTOR CO., LTD.

FIG. 10

S	KEY NO.	PART NO.	PART NAME	QTY	SALES UNIT	MODEL	ICA
	55	17082-73410	CAP-FUEL PUMP(KYOSAN)	1	2	SRLU	
	56	17076-61002	PACKING-CAP(SHOWA)	1	5	ALL	
	57	17076-13211	PACKING-CAP(KYOSAN)	1	5	ALL	Y
	58	17089-58000	SCREW(SHOWA)	11	50	ALL	
	59	17089-13210	SCREW(KYOSAN)	11	10	ALL EXC SRLU	
	60	17089-32200	SCREW(KYOSAN)	1		SRLU	
	61	17090-50000	WASHER-SPRING(SHOWA)	11	10	ALL	
	62	17090-32200	WASHER-SPRING(KYOSAN)	11	10	ALL	
	63	17095-14610	BALL(KYOSAN)(FROM E/F U20-2692)(NOT FOR SALE)	2	10	ALL	
	64	17103-05060	CONNECTOR	1	10	1.6L	
	65	17103-18810	CONNECTOR(FROM E/F R=40001)	1	5	1.7L	N
	66	08712-14450	CONNECTOR(FROM E/F R=59190)	1	10	1.6L	N
	67	17103-18810	CONNECTOR(FROM E/F U20-2692)	1	5	2L EXC SRLU	
	68	17103-65000	CONNECTOR(FROM E/F U20-2692)	1	5	SRLU	
	69	17103-12200	ELBOW	1	5	ALL	
	70	17103-12200	ELBOW-CONNECTOR(FROM E/F R=59190,U20-2692)	1	5	1.6L & SRLU	
	71	16430-65000	ELBOW-CONNECTOR(FROM E/F U20-2692)	1	5	2L EXC SRLU	
	72	17103-00600	ELBOW-CONNECTOR	1	5	2L EXC SRLU	Y
	73	17099-72600	PACKING-FUEL PUMP	2	100	ALL	
	74	17099-21000	PACKING-FUEL PUMP	2	10	ALL	Y
	75	17099-21001	PACKING-FUEL PUMP	2	10	ALL	Y

10 - 4

Printed in Japan

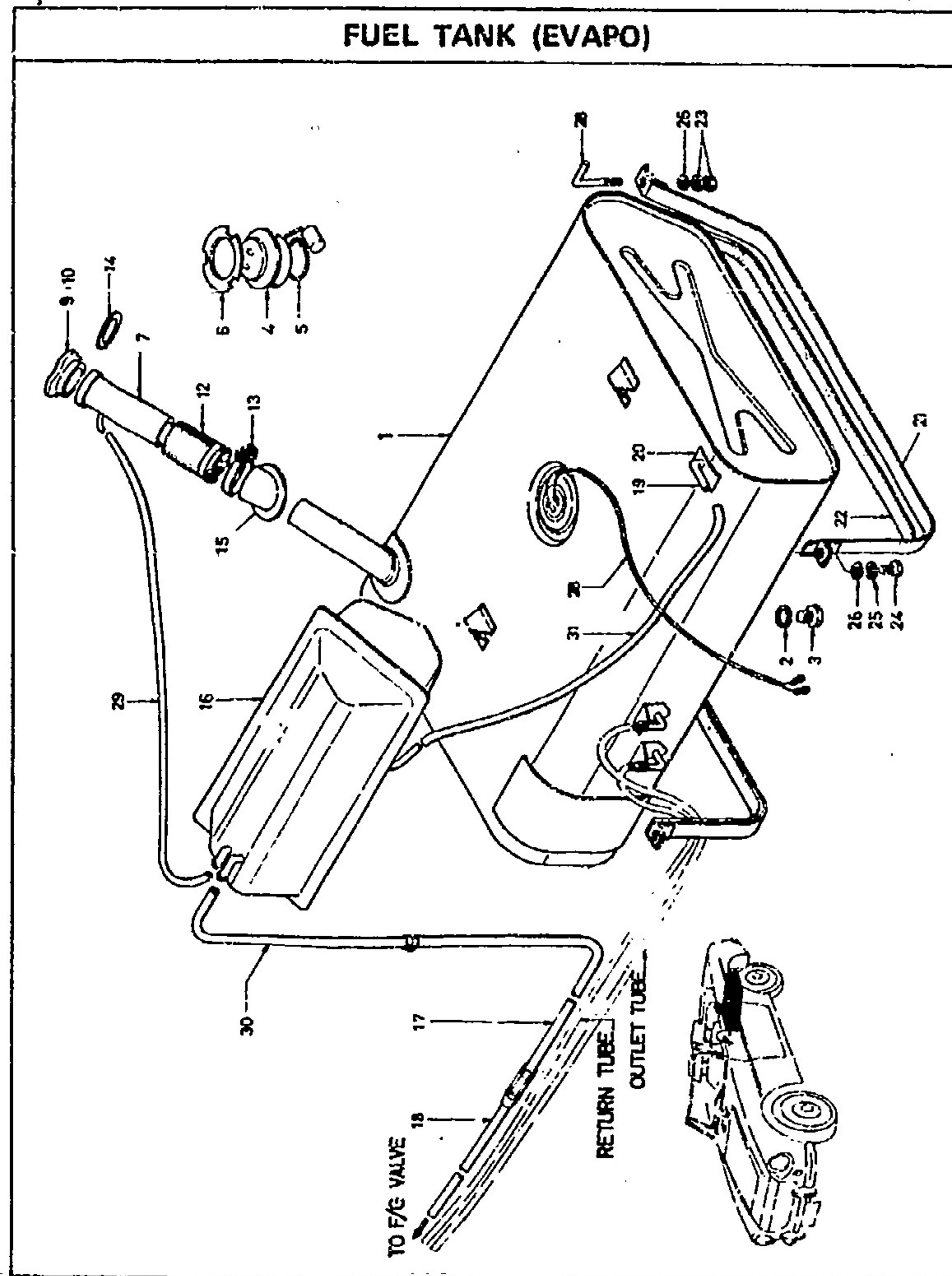
REVISED: MARCH, 1972



FIG. 10 H10 NISSAN MOTOR CO., LTD.

S	KEY NO.	PART NO.	PART NAME	QTY	SALES UNIT	MODEL	ICA
•	76	17099-69000	PACKING-FUEL PUMP	2	10	ALL	C
	77	17099-21002	PACKING-FUEL PUMP	2	10	ALL	Y
•	78	16420-72600	SPACER-FUEL PUMP TO CYLINDER BLOCK	1	5	ALL	
•	79	16420-21000	SPACER-FUEL PUMP TO CYLINDER BLOCK	1	5	ALL	Y
	80	16420-21001	SPACER-FUEL PUMP TO CYLINDER BLOCK	1	5	ALL	Y
	81	00911-14910	NUT TO ATTACH FUEL PUMP TO CYLINDER BLOCK	2	50	1.6L	
	82	00911-20810	NUT TO ATTACH FUEL PUMP TO CYLINDER BLOCK	2	50	2L	
	83	00915-11510	WASHER-LOCK TO ATTACH FUEL PUMP TO CYLINDER BLOCK	2	50	1.6L	
	84	00915-13810	WASHER-SPRING NB TO ATTACH FUEL PUMP TO CYLINDER BLOCK	2	50	2L	
	85	00915-43810	WASHER-PLAIN NB TO ATTACH FUEL PUMP TO CYLINDER BLOCK	2	50	2L	
#	86	X7010-12225	KIT-REPAIR,FUEL PUMP(SHUN)	1		ALL	
	87	17010-12226	KIT-REPAIR,FUEL PUMP	1	1	ALL	Y
#	88	X7010-12226	KIT-REPAIR,FUEL PUMP(KYOSAN)	1		ALL	





S	KEY NO.	PART NO.	PART NAME	QTY	SALES UNIT	MODEL	ICA
<b>FUEL TANK (EVAPO)</b> EVAPO signifies CALIFORNIA In USA.							
	1	17201-A7800	ASSY=TANK FUEL	1	1	EVAPU	
	2	17312-20500	GASKET DRAIN SEAT	1	10	EVAPU	
	3	00931-44810	PLUG DRAIN FUEL TANK	1	10	EVAPU	
	4	25060-15601	GAUGE=FUEL TANK	1	1	EVAPU	
	5	17342-18000	O RING FUEL GAUGE	1	10	EVAPU	
	6	17343-15801	PLATE LOCK FUEL GAUGE	1	5	EVAPU	
	7	17218-A7800	ASSY TUBE INLET FUEL TANK	1		EVAPU	
	8	17220-A7800	TUBE INLET TUBE TO RESERVOIR TANK (NOT ADOPTED)	1		EVAPU	
	9	17251-A7800	ASSY CAP FILLER	1	1	EVAPU	
	10	17251-A7801	ASSY CAP FILLER	1		EVAPU	Y
	11	17229-14600	HOSE FUEL TANK	1		EVAPU	
	12	17229-08000	HOSE FUEL TANK	1	5	EVAPU	Y
	13	21505-19900	CLAMP=HOSE	2	5	EVAPU	
	14	17455-25760	GROMMET RUBBER	1	10	EVAPU	
	15	17456-25900	GROMMET RUBBER	1	5	EVAPU	
	16	17350-A7800	ASSY=TANK RESEVOIR	1	1	EVAPU	
	17	17500-A7800	ASSY=TUBE AIR SUPPLIER FRONT	1	1	EVAPU	
	18	17509-A7800	ASSY=TUBE AIR SUPPLIER REAR	1	1	EVAPU	
	19	17225-A7800	ASSY TUBE VENTILATION (NOT FOR SALE)	1		EVAPU	



FIG. 10A H12 NISSAN MOTOR CO., LTD.

S	KEY NO.	PART NO.	PART NAME	QTY	SALES UNIT	MODEL	ICA
•	20	17227-A7800	PLATE VENTILATION TUBE (NOT FOR SALE)	1		EVAP0	
	21	17406-25900	ASSY-BAND, FUEL TANK MOUNTING	2	1	EVAP0	
	22	17416-10400	PAD FUEL TANK MOUNTING	4	5	EVAP0	
	23	00911-34510	NUT	4	50	EVAP0	
	24	00114-51610	BOLT	2	50	EVAP0	
	25	00915-11510	WASHER-LOCK	2	50	EVAP0	
	26	00915-41510	WASHER-PLAIN	4	50	EVAP0	
	27	17425-14600	BOLT-BAND, GAS TANK	2	10	EVAP0	
	28	24017-25900	ASSY CABLE, FUEL GAUGE	1	1	EVAP0	
	29	17518-A7800	TUBE FLEXIBLE RUBBER (L=1650)	1	5	EVAP0	
	30	17519-A7800	TUBE FLEXIBLE RUBBER (L=630)	1	5	EVAP0	
	31	17518-14600	TUBE FLEXIBLE RUBBER	1	5	EVAP0	
	32	16439-A0600	HOSE CLAMP	4	10	EVAP0	
	33	24210-89920	CLIP	3	5	EVAP0	



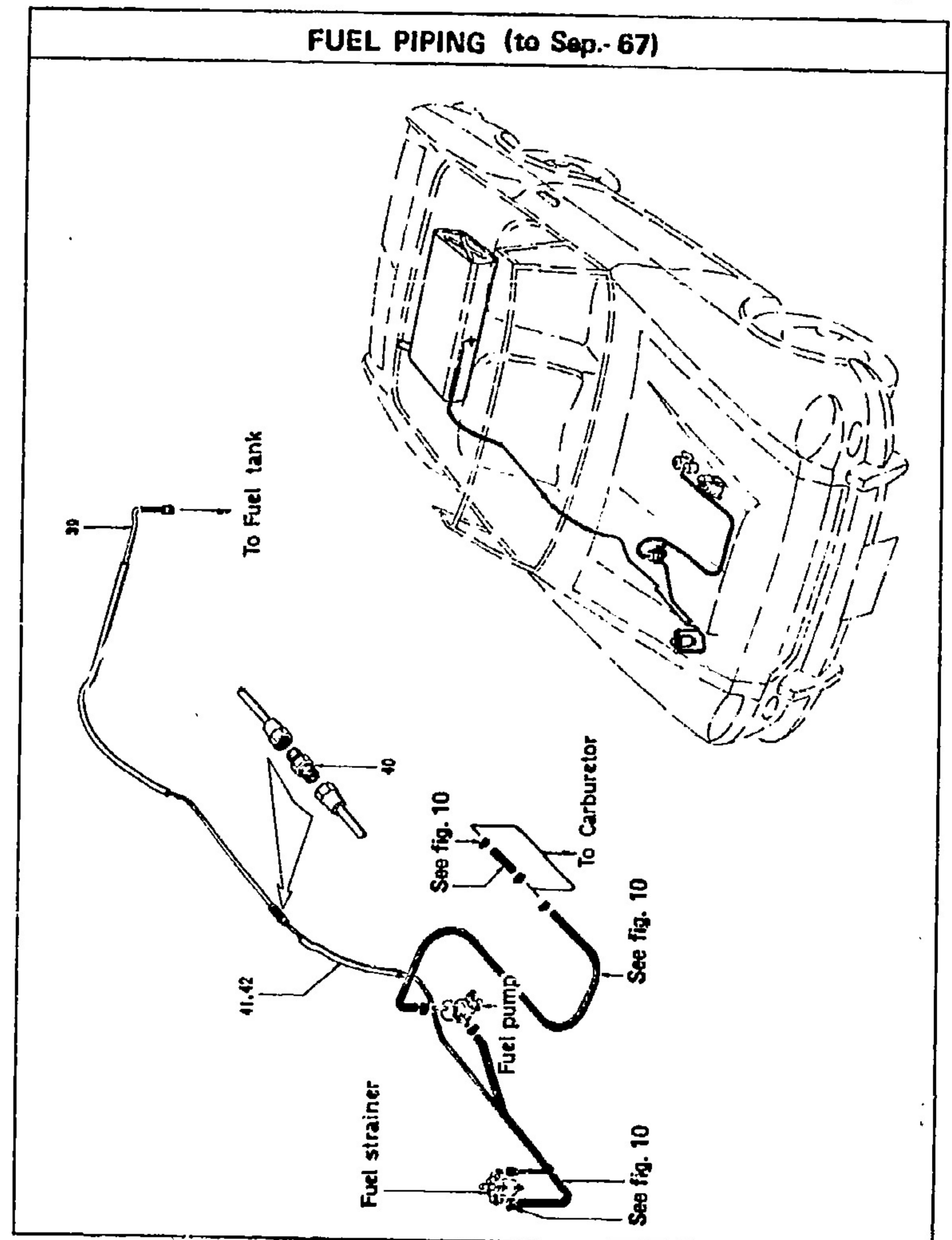
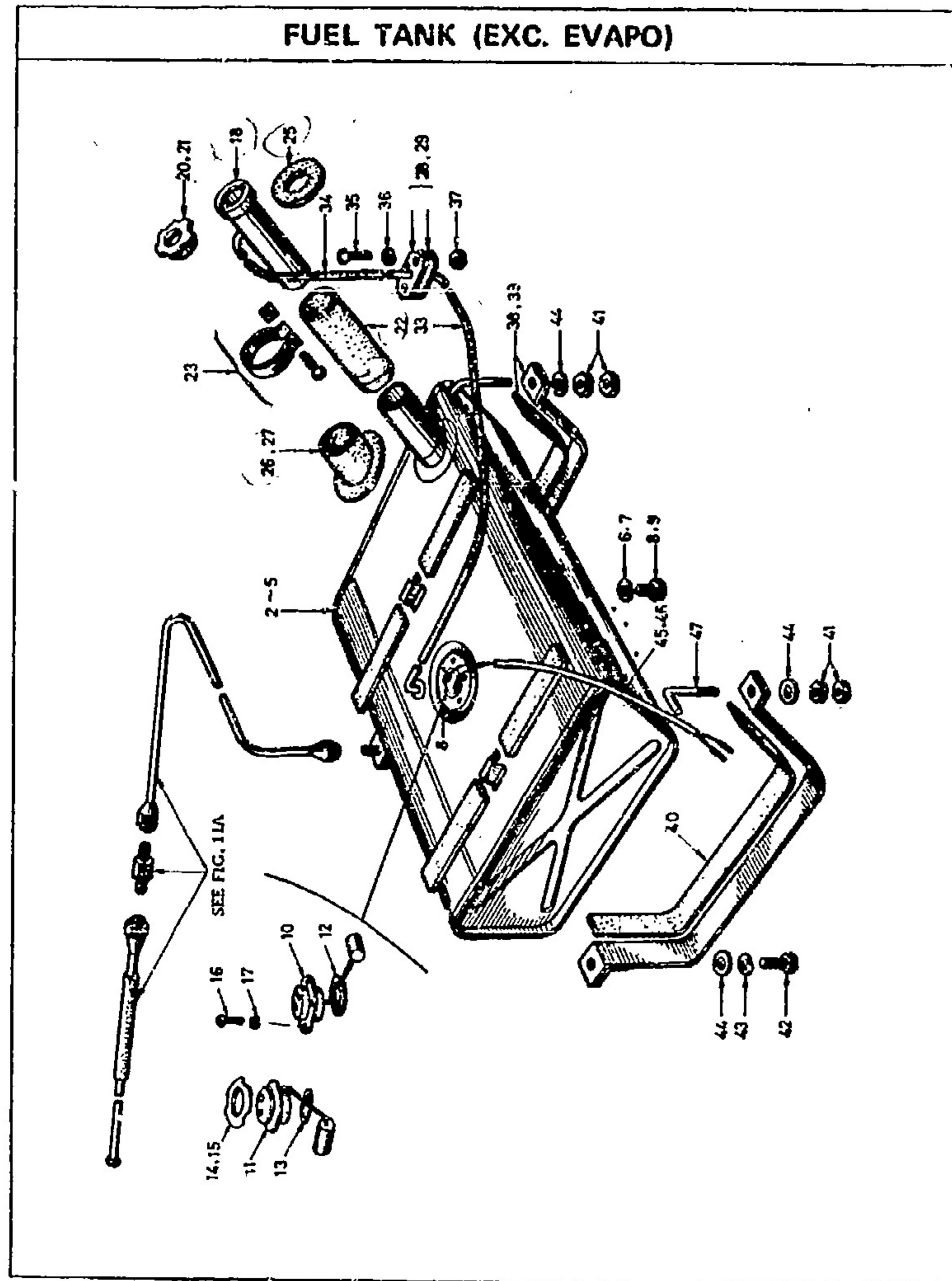
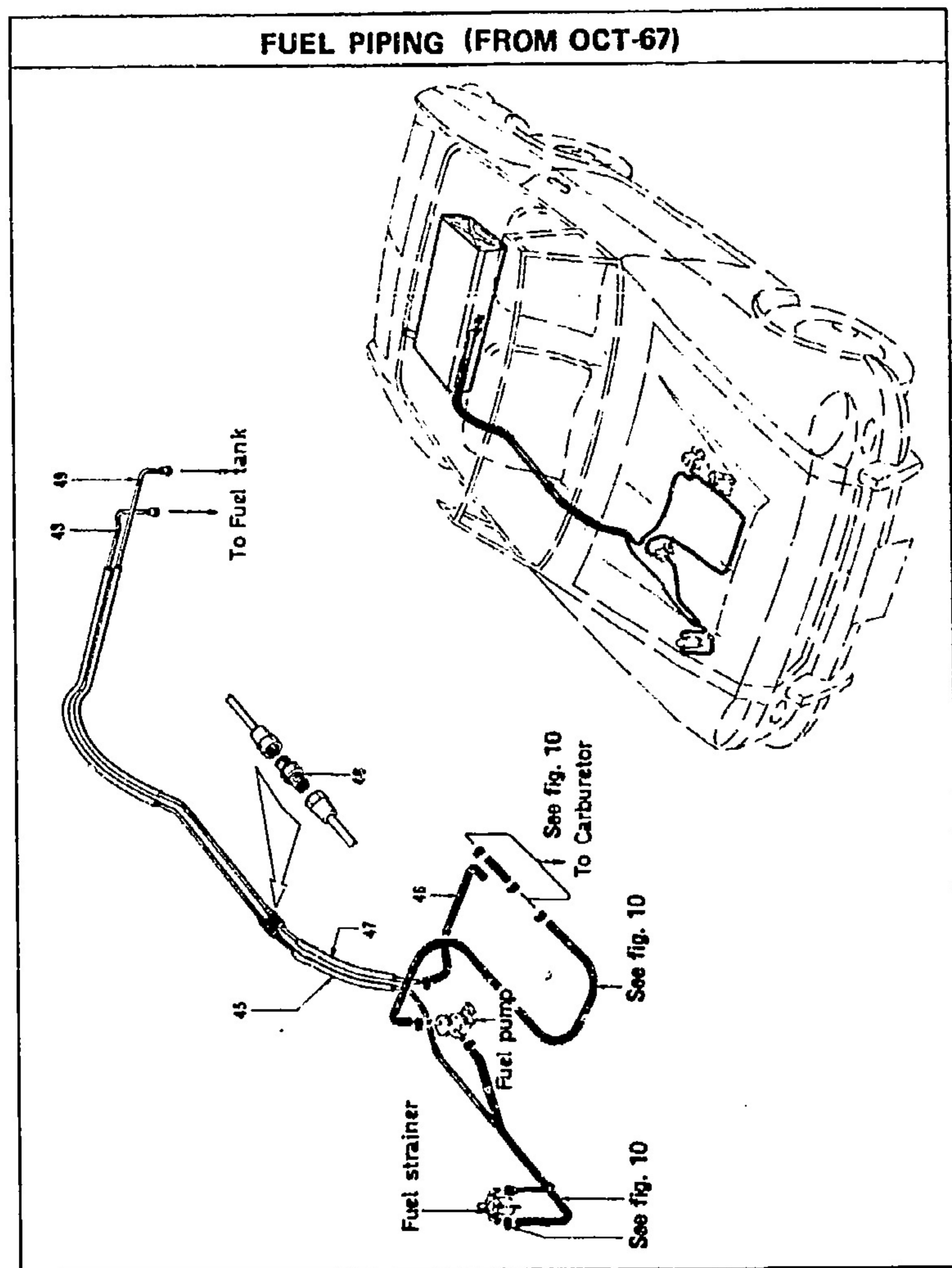




FIG. 11-3 H14 NISSAN MOTOR CO., LTD.



NISSAN MOTOR CO., LTD.

FIG. 11

S KEY NO.	PART NO.	PART NAME	QTY	SALES UNIT	MODEL	ICA
<b>FUEL TANK (EXC. EVAPO)</b> EVAPO signifies CALIFORNIA in USA.						
1	17201-14601	ASSY=TANK,FUEL(TO E/P R=40000)	1		1.6L EXC EVAPO	
2	17201-14602	ASSY=FUEL TANK (FROM E/P R=40001 TO SEP-67)	1		ALL EXC EVAPO	Y
3	17201-25900	ASSY=FUEL TANK (FROM OCT-67)	1		ALL EXC USA	N
4	17201-26000	ASSY=FUEL TANK (FROM OCT-67)	1		USA EXC EVAPO	N
5	17201-A3300	ASSY=FUEL TANK	1		USA EXC EVAPO	Y
6	17308-61000	GASKET-DRAIN SEAT(TO E/P R=40000)	1	10	1.6L EXC EVAPO	
7	17312-20500	GASKET-DRAIN SEAT(FROM E/P R=40001)	1	10	ALL EXC EVAPO	Y
8	17310-61000	PLUG-DRAIN,FUEL TANK(TO E/P R=40000)	1	5	1.6L EXC EVAPO	
9	00001-44810	PLUG-DRAIN,FUEL TANK(FROM E/P R=40001)	1	10	ALL EXC EVAPO	Y
10	20060-14600	GAUGE=FUEL TANK(TO E/P R=40000)	1	2	ALL EXC EVAPO	
11	20060-14601	GAUGE=FUEL TANK(FROM E/P R=40001)	1	1	ALL EXC EVAPO	N
12	17203-10900	GASKET-GAUGE (TO SEP-67)	1	5	ALL EXC EVAPO	
13	17342-10000	PLATE-GAUGE(FROM E/P R=40001)	1	10	ALL EXC EVAPO	N
14	17343-14800	PLATE-LOCK,FUEL GAUGE (FROM E/P R=40001)	1	5	ALL EXC EVAPO	Y
15	17343-14801	PLATE-LOCK,FUEL GAUGE (FROM E/P R=40001)	1	5	ALL EXC EVAPO	Y

APRIL, 1968

F11-3

Printed in Japan

REVISED: SEPTEMBER, 1971

11-3

Printed in Japan



FIG. 11 H15 NISSAN MOTOR CO., LTD.

S	KEY NO.	PART NO.	PART NAME	QTY	SALES UNIT	MODEL	ICA
	16	00310-01210	SCREW-GAUGE (TO SEP-67)	5	50	ALL EXC EVAPO	
	17	00015-10010	WASHER-GAUGE (TO SEP-67)	5	50	ALL EXC EVAPO	
	18	17218-10400	ASSY-TUBE, INLET, FUEL TANK	1	1	ALL EXC EVAPO	
	19	17251-04201	ASSY-CAP, FILLER	1	1	1.6L EXC EVAPO	
	20	17251-09501	ASSY-CAP, FILLER (TO E/P R-40000)	1	1	1.6L EXC EVAPO	Y
	21	17251-25500	ASSY-CAP, FILLER (FROM E/P R-40001)	1	1	ALL EXC EVAPO	N
	22	17229-08000	HOSE-FUEL TANK (INLET TUBE TO FILLER)	1	5	ALL EXC EVAPO	
	23	21505-11860	CLAMP-HOSE	2	1	ALL EXC EVAPO	
	24	21505-19900	CLAMP-HOSE	2	5	ALL EXC EVAPO	Y
	25	17455-25760	GROMMET-RUBBER	1	10	ALL EXC EVAPO	
	26	17456-10400	GROMMET-RUBBER (TO SEP-67)	1	5	ALL EXC EVAPO	
	27	17456-25900	GROMMET-RUBBER (FROM OCT-67)	1	5	ALL EXC EVAPO	N
	28	17234-10400	ASSY-TUBE, VENTILATION, MIDDLE	1	1	ALL EXC EVAPO	
	29	17234-10401	ASSY-TUBE, VENTILATION, MIDDLE	1	5	ALL EXC EVAPO	Y
	30	00723-11400	CLAMP-HOSE	4	10	ALL EXC EVAPO	
	31	16439-22100	CLAMP-HOSE	1	10	ALL EXC EVAPO	
	32	17227-10400	PACKING-VENTILATION, TUBE	1	1	ALL EXC EVAPO	

11 - 2

Printed in Japan

REVISED: SEPTEMBER, 1971

NISSAN MOTOR CO., LTD.

FIG. 11

S	KEY NO.	PART NO.	PART NAME	QTY	SALES UNIT	MODEL	ICA
	33	17231-10400	HOSE-VENTILATION TUBE, LOWER	1	2	ALL EXC EVAPO	
	34	17232-14600	HOSE-VENTILATION TUBE, UPPER	1	5	ALL EXC EVAPO	
	35	00314-01210	SCREW	2	50	ALL EXC EVAPO	
	36	00918-11510	WASHER-LOCK	2	50	ALL EXC EVAPO	
	37	00981-14010	NUT	2	50	ALL EXC EVAPO	
	38	17486-14600	ASSY-BAND, FUEL TANK MOUNTING (TO SEP-67)	2	1	ALL EXC EVAPO	
	39	17486-25900	ASSY-BAND, FUEL TANK MOUNTING (FROM OCT-67)	2	1	ALL EXC EVAPO	N
	40	17416-10400	PAD-FUEL TANK MOUNTING	4	5	ALL EXC EVAPO	
	41	00911-34510	NUT	4	50	ALL EXC EVAPO	
	42	00114-51010	BOLT	2	50	ALL EXC EVAPO	
	43	00913-11510	WASHER-LOCK	2	50	ALL EXC EVAPO	
	44	00913-41510	WASHER-PLAIN	4	50	ALL EXC EVAPO	
	45	24017-14600	ASSY-CABLE, FUEL GAUGE (TO SEP-67)	1	1	ALL EXC EVAPO	
	46	24017-25900	ASSY-CABLE, FUEL GAUGE (FROM OCT-67)	1	1	ALL EXC EVAPO	N
	47	17423-14600	BOLT-BAND, GAS TANK	2	10	ALL EXC EVAPO	
	48	17299-76500	JOINT TUBE (FROM OCT-66)	1	5	USA EXC EVAPO	N

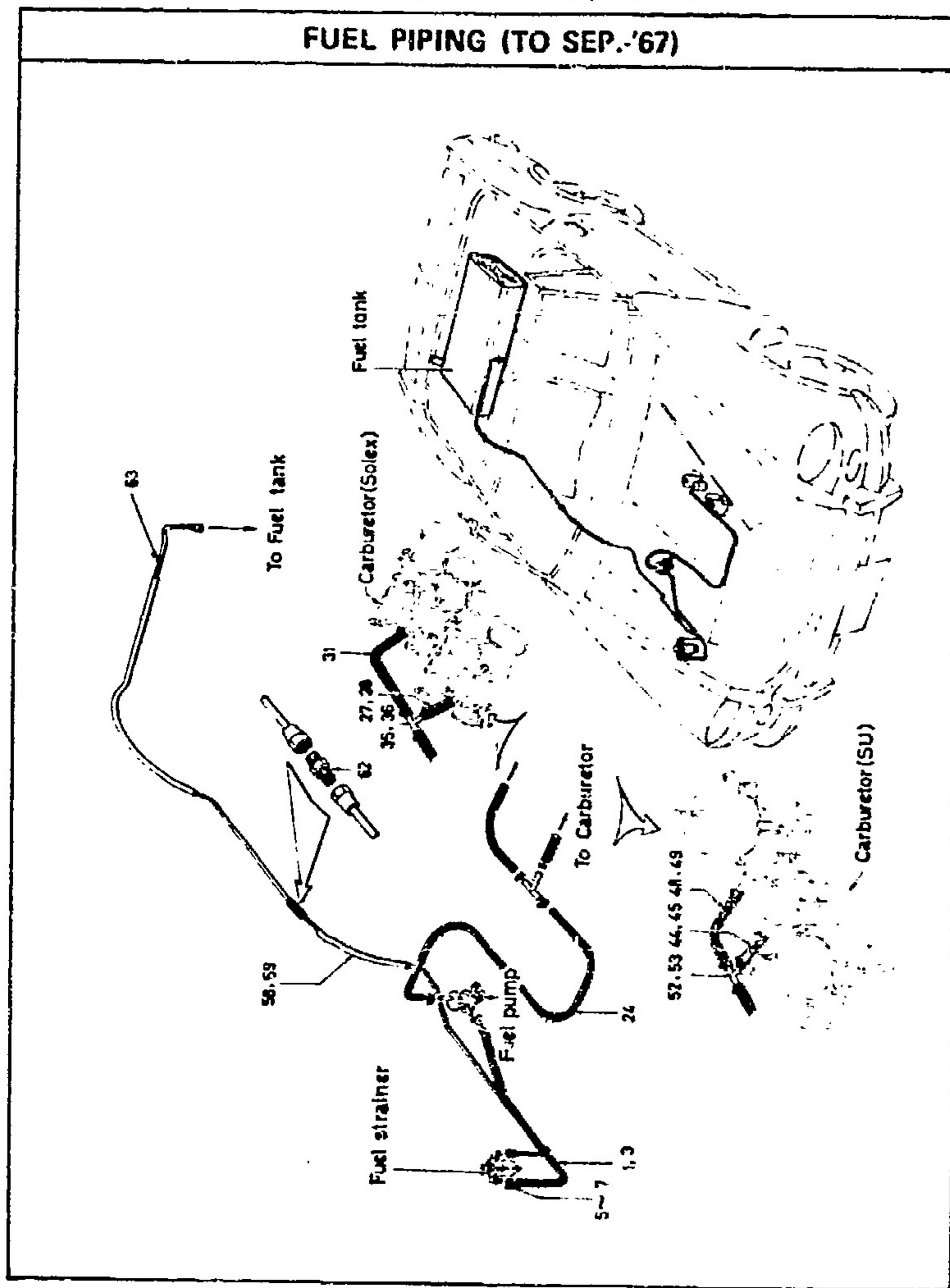
11 - 3

Printed in Japan

REVISED: SEPTEMBER, 1971



FIG. 11A-1 H16 NISSAN MOTOR CO., LTD.



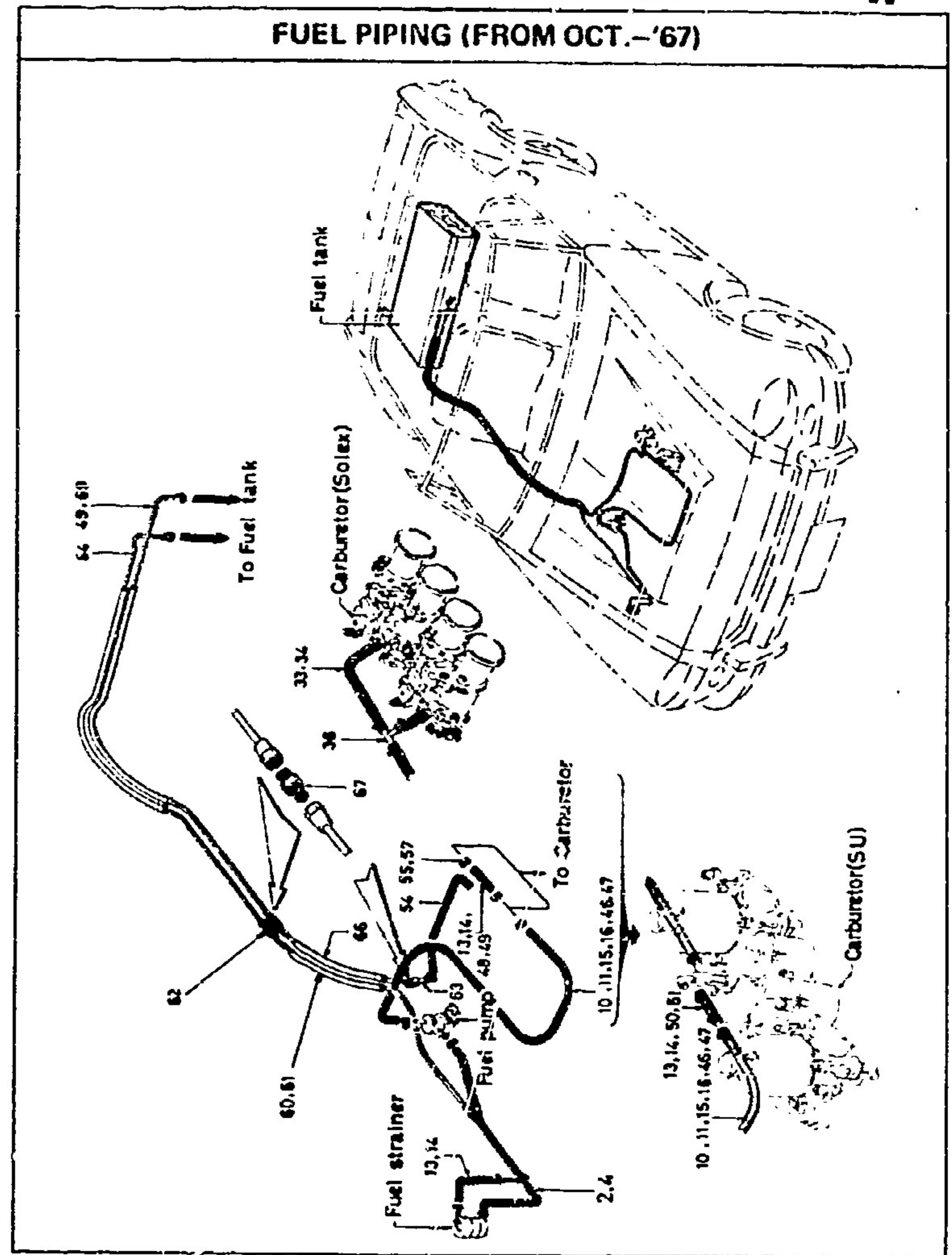
SEPTEMBER, 1971

F11A - 1

Printed in Japan

NISSAN MOTOR CO., LTD.

FIG. 11A-2



SEPTEMBER, 1971

F11A - 2

Printed in Japan



FIG. 11A 11 NISSAN MOTOR CO., LTD.

S KEY NO.	PART NO.	PART NAME	QTY	SALES UNIT	MODEL	ICA
<b>FUEL PIPING</b>						
1	17518-08800	TUBE-FUEL, STRAINER TO PUMP (TO SEP-67)	1	5	1.6L	
2	17518-14600	TUBE-STRAINER TO PUMP (FROM OCT-67)	1	5	1.6L EXC SPLU	H
3	17518-25500	TUBE-FUEL, STRAINER TO PUMP (TO SEP-67)	1	5	2L	
4	17519-25901	TUBE-FUEL, STRAINER TO PUMP (FROM OCT-67)	2	5	2L & SPLU	H
5	08721-17310	CLAMP-TUBE, FLEXIBLE	2		1.6L	
6	16439-04101	CLAMP-TUBE, FLEXIBLE	2	10	2L	
7	16439-A0601	CLAMP-TUBE, FLEXIBLE	2	5	ALL	H
8	17522-14601	ASSY-TUBE, FUEL PUMP TO CARBURETOR	1	1	1.6L	
9	17522-14603	ASSY-TUBE, FUEL PUMP TO CARBURETOR (FROM E/P R-60001)	1	1	1.6L	H
10	17526-110100	ASSY TUBE FUEL PUMP TO CARBURETOR (L=190)	1	5	1.6L EXC SPLU	
11	17526-14605	ASSY TUBE FUEL PUMP TO CARBURETOR (L=210)	1	5	1.6L EXC SPLU	
12	17524-14700	TUBE-FUEL FRONT (FROM OCT-67)	1		SPLU	
13	17527-14700	TUBE-FUEL REAR (FROM OCT-67)	1	5	SPLU	
14	17526-110100	TUBE-FUEL REAR (L=190)	1	5	SPLU	Y
15	17523-14700	TUBE-FUEL PUMP TO CARB (FROM OCT-67)	1	1	SPLU	
16	17522-14701	TUBE-FUEL PUMP TO CARB (L=110)	1	5	SPLU	Y

11-A- 1

Printed in Japan

REVISED: SEPTEMBER, 1971

NISSAN MOTOR CO., LTD.

FIG. 11A

S KEY NO.	PART NO.	PART NAME	QTY	SALES UNIT	MODEL	ICA
17	08721-11300	CLAMP FUEL TUBE (190)	4	25	ALL	
18	08723-11400	CLAMP	4	10	ALL	Y
19	16439-22100	CLAMP	4		ALL	Y
20	17103-14701	CLAMP FUEL PIPE	1	5	SPLU	
21	17107-14402	STAY-TUBE, PUMP TO CARBURETOR	1	5	1.6L	
22	00111-51210	BOLT	2	50	1.6L	
23	00913-11510	WASHER-LOCK	2	50	1.6L	
24	17522-25510	ASSY-TUBE, FUEL PUMP TO CONNECTOR 640MM FOR SOLEX & SU	1	5	2L	
25	17522-25513	ASSY-TUBE, FUEL PUMP TO CONNECTOR 640MM FOR SOLEX & SU	1		2L EXC SRL U SU	Y
26	08742-20020	ASSY-TUBE, FUEL PUMP TO CONNECTOR 640MM FOR SOLEX & SU	1	5	2L EXC SRL U SU	Y
27	17524-25500	ASSY-TUBE, CONN TO CARB FRONT 130MM	1	5	2L SOLEX	
28	17524-25501	ASSY-TUBE CONN TO CARB FRONT	1	5	2L SOLEX	H
29	17524-25502	ASSY-TUBE CONN TO CARB FRONT (L=165)	1	5	2L SOLEX	Y
30	17522-25601	ASSY-TUBE, CONN TO CARB RR 310MM	1		2L SOLEX	
31	17526-25600	TUBE, CONN TO CARB, RR 310MM	1	2	2L SOLEX	Y
32	17526-25602	TUBE, CONN TO CARB, RR 310MM	1	5	2L SOLEX	Y
33	17526-25501	TUBE CONN TO CARB REAR	1	2	2L SOLEX	H
34	17526-25502	TUBE CONN TO CARB REAR (L=380)	1	5	2L SOLEX	Y
35	17107-25500	CONNECTOR-THREE-WAY	1	5	2L SOLEX	

11-A- 2

Printed in Japan

REVISED: SEPTEMBER, 1971



FIG. 11A i2 NISSAN MOTOR CO., LTD.

S	KEY NO.	PART NO.	PART NAME	QTY	SALES UNIT	MODEL	ICA
	36	17107-25501	CONNECTOR 4-WAY	1	1	2L SOLEX	N
	37	17527-25500	TUBE FUEL COOLING FRONT	1	5	2L SOLEX	
	38	17106-25502	CLAMP TUBE FUEL FRONT	1	5	2L SOLEX	
	39	17527-25501	TUBE FUEL COOLING CENTER	1	5	2L SOLEX	
	40	17527-25503	TUBE FUEL COOLING CENTER	1	5	2L SOLEX	Y
	41	17527-25502	TUBE FUEL COOLING REAR	1	5	2L SOLEX	
	42	17106-73400	CLAMP FUEL TUBE REAR (120)	1	5	2L SOLEX	
	43	17107-25500	CLAMP FUEL TUBE REAR (150)	1	5	2L SOLEX	N
	44	17524-25600	ASSY-TUBE, CONN TO CARB FRONT 240MM	1	5	2L SU EXC SRLU	
	45	17524-25601	ASSY-TUBE, CONN TO CARB FRONT 240MM	1	2L SU EXC SRLU		Y
	46	17523-25602	TUBE-FUEL PUMP TO CARB (FROM OCT-67)	1	5	SRLU SU	
	47	17522-25603	TUBE-FUEL PUMP TO CARB (L=101U)	1	5	SRLU SU	Y
	48	17526-25600	ASSY-TUBE, CONN TO CARB REAR 290MM	1	2	2L SU EXC SRLU	
	49	17526-25602	ASSY-TUBE, CONN TO CARB REAR 290MM	1	5	2L SU EXC SRLU	Y
	50	17527-25602	TUBE-FUEL REAR (FROM OCT-67)	1	5	SRLU SU	
	51	17526-25603	TUBE-FUEL REAR (L=55)	1	5	SRLU SU	Y
	52	17107-20100	CONNECTOR-THREE-WAY	1	1	2L SU	
	53	17107-20101	CONNECTOR-THREE-WAY	1	1	2L SU	Y
	54	17527-73401	TUBE-FUEL RETURN (FROM OCT-67)	1	5	SPLU & SRLU	

11-A- 3

Printed in Japan

REVISED: SEPTEMBER, 1971

NISSAN MOTOR CO., LTD.

FIG. 11A

S	KEY NO.	PART NO.	PART NAME	QTY	SALES UNIT	MODEL	ICA
	55	17105-14700	CLAMP-FUEL PIPE (FROM OCT-67)	1	5	SPLU	
	56	17105-14701	CLAMP-FUEL PIPE	1	5	SPLU	
	57	17106-25500	CLAMP-FUEL PIPE (FROM OCT-67)	1	5	SRLU	
	58	17502-14600	TUBE-CONNECTOR TO STRAINER (TO E/WR-40000)	1	1	1.6L	
	59	17502-25500	TUBE-CONN TO STRAINER (FROM E/WR-40001 TO SEP-67)	1	1	ALL	N
	60	16409-25900	TUBE-CONNECTOR TO STRAINER (FROM OCT-67)	1	5	ALL	N
	61	17504-25902	TUBE-CONNECTOR TO STRAINER (FROM OCT-67)	1	1	ALL	N
	62	17512-09100	CONNECTOR-FUEL TUBE	1	5	ALL	
	63	17503-14600	TUBE-TANK TO CONNECTOR (TO SEP-67)	1	11	ALL	
	64	17505-25901	TUBE-TANK TO CONNECTOR (FROM OCT-67)	1	1	ALL	N
	65	17504-26000	TUBE-CONNECTOR TO CARB (FROM OCT-67)	1	5	EMISSION CONTROL	N
	66	17502-26000	TUBE-CONNECTOR TO CONNECTOR (FROM OCT-67)	1	5	EMISSION CONTROL	N
	67	17512-26000	CONNECTOR FUEL TUBE	2	5	EMISSION CONTROL	
	68	17503-26000	TUBE-CONNECTOR TO TANK (FROM OCT-67 TO SEP-68)	1	1	USA	N
	69	17503-13300	TUBE-CONNECTOR TO TANK (FROM OCT-68)	1	1	EMISSION CONTROL	N

11-A- 4

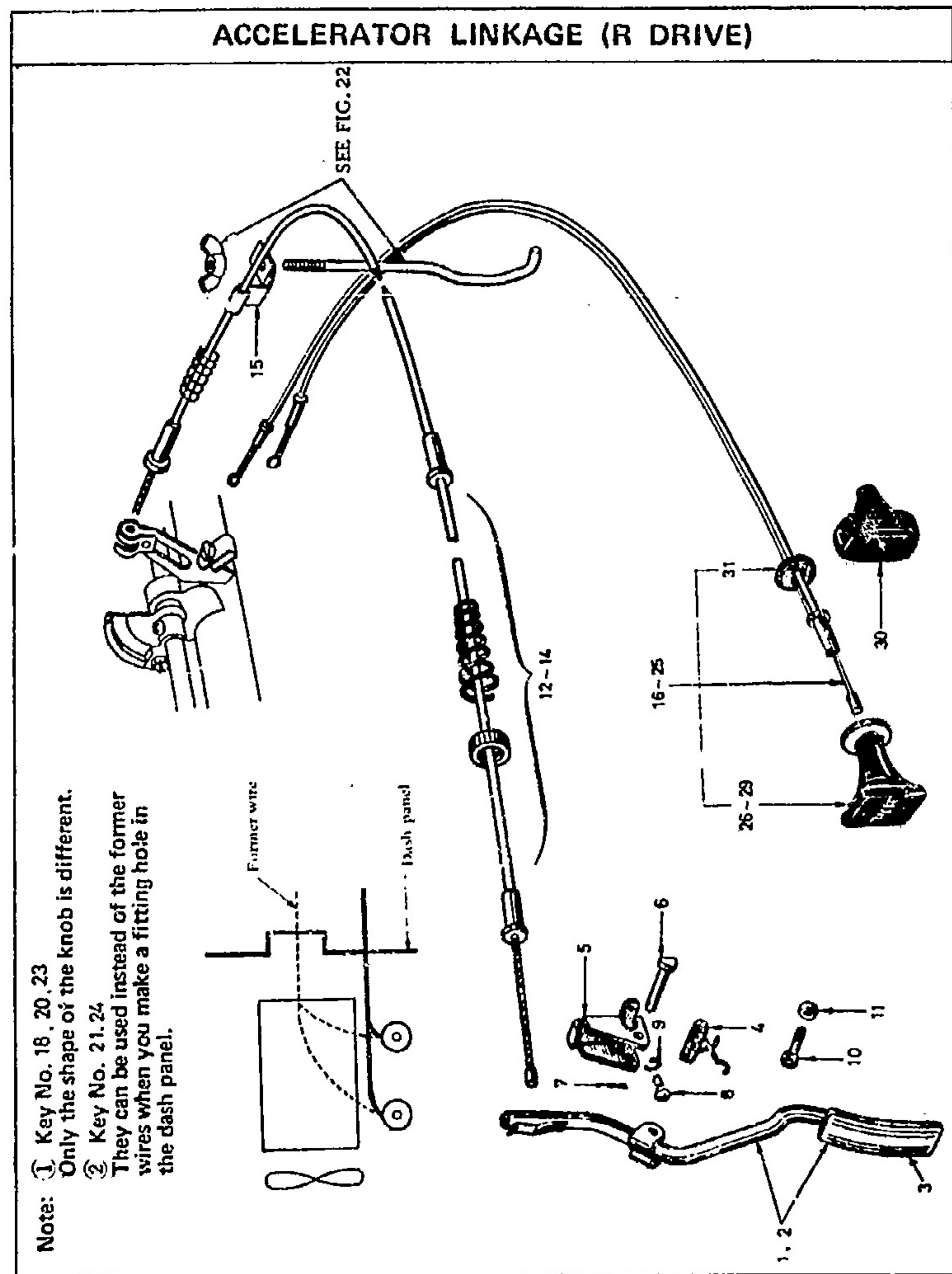
Printed in Japan

REVISED: SEPTEMBER, 1971



FIG. 12 i3

NISSAN MOTOR CO., LTD.



Note:  
 ① Key No. 18, 20, 23  
 Only the shape of the knob is different.  
 ② Key No. 21, 24  
 They can be used instead of the former  
 wires when you make a fitting hole in  
 the dash panel.

NISSAN MOTOR CO., LTD.

FIG. 12

KEY NO.	PART NO.	PART NAME	QTY	SALES UNIT	MODEL	ICA
ACCELERATOR LINKAGE (R DRIVE)						
1	18010-14600	ASSY-ARM, PEDAL	1	1 SP		
2	18010-25500	ASSY-ARM, PEDAL (FROM E/ # R=40001)	1	1 SP, SR		N
3	18017-15800	PAD-PEDAL, ACCELERATOR	1	5 SP, SR		
4	18138-10401	SPRING-RETURN, ACCELE- TOR	1	5 SP, SR		
5	18020-04100	BRACKET-ACCELERATOR PE- DAL	1	1 SP, SR		
6	18022-04100	PIN-ACCELERATOR PEDAL ARM	1	10 SP, SR		
7	00921-11210	PIN-COTTER	1	50 SP, SR		
8	00314-41410	SCREW	3	50 SP, SR		
9	00915-11410	WASHER-LOCK	3	50 SP, SR		
10	00124-42210	BOLT	1	50 SP, SR		
11	00911-34410	NUT	1	50 SP, SR		
12	18100-12201	ASSY-WIRE, ACCELERATOR	1	1 SP, SR		
13	18100-25500	ASSY-WIRE, ACCELERATOR	1	1 SP		Y
14	18100-25501	ASSY-WIRE, ACCELERATOR	1	1 SR		Y
15	18128-14600	CLAMP-ACCELERATOR WIRE	1	5 SP, SR		
16	18410-14600	COMP-WIRE, CHOKE CONTROL (TO E/#R=40000)	1	1 SP		
17	18410-14601	COMP-WIRE, CHOKE CONTROL (FROM E/#R=40001 TO SEP-67)	1	5 SP, SR		Y
18	18410-25900	COMP-WIRE, CHOKE CONTROL (FROM OCT-67 TO JUN- 69)	1	2 SR SOLEX		C



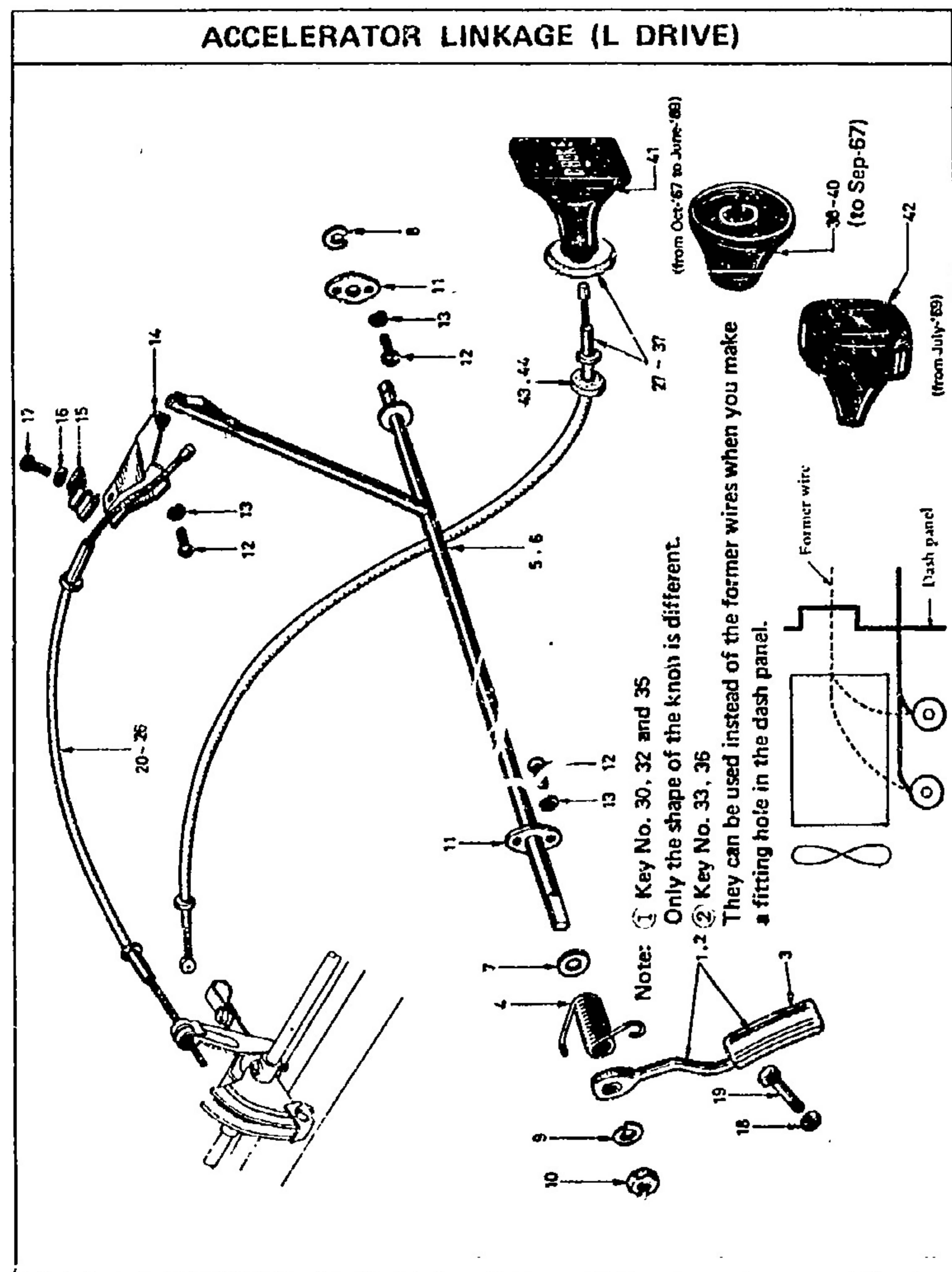
FIG. 12 i4 NISSAN MOTOR CO., LTD.

S	KEY NO.	PART NO.	PART NAME	QTY	SALES UNIT	MODEL	ICA
	19	18410-A7400	COMP-WIRE,CHOKE CONTROL (FROM JULY-69)	1		SR SOLEX	Y
	20	18410-26001	COMP-WIRE,CHOKE CONTROL (FROM OCT-67 TO SEP-68)	1	2	SR SU	C
*	21	18410-A3200	COMP-WIRE,CHOKE CONTROL (FROM OCT-68)	1	5	SR SU	C
	22	18410-A7500	COMP-WIRE,CHOKE CONTROL (FROM JULY-69)	1		SR SU	Y
	23	18410-14603	WIRE CHOKE CONTROL (FROM OCT-67 TO SEP-68)	1	1	SP SU	C
*	24	18410-A3201	WIRE CHOKE CONTROL (FROM OCT-68 TO JUN-69)	1	5	SP SU	C
	25	18410-A7410	WIRE CHOKE CONTROL (FROM JULY-69)	1		SP SU	Y
*	26	18415-13200	KNOB CHOKE WIRE( TO E/R=40000)	1	5	SP	
	27	18415-A0601	KNOB CHOKE WIRE( TO E/R=40000)	1		SP	Y
	28	18415-25500	KNOB CHOKE WIRE(FROM E/R=40001 TO SEP-67)	1	5	SR	N
*	29	18415-25900	KNOB CHOKE WIRE(FROM OCT-67)	1	5	R DRIVE	N
	30	18415-A7400	KNOB CHOKE WIRE (FROM JULY-69)	1		R DRIVE	Y
	31	18417-15800	GROMMET RUBBER	1	5	R DRIVE	



FIG. 13 i5

NISSAN MOTOR CO., LTD.



SEPTEMBER, 1969

F13 - 1

Printed in Japan

NISSAN MOTOR CO., LTD.

FIG. 13

S	KEY NO.	PART NO.	PART NAME	QTY	SALES UNIT	MODEL	ICA
<b>ACCELERATOR LINKAGE (L DRIVE)</b>							
	1	1R010-14700	ASSY-ARM, PEDAL	1	2	SPL, SRL	
	2	1R010-25600	ASSY-ARM, PEDAL	1	1	SPL, SRL	Y
	3	1R017-15800	PAD-PEDAL, ACCELERATOR	1	5	SPL, SRL	
	4	1R138-14700	SPRING-RETURN, ACCELERATOR	1	10	SPL, SRL	
	5	1R400-12300	ASSY-SHAFT, CROSS, ACCELERATOR	1	1	SPL	
	6	1R400-25600	ASSY-SHAFT, CROSS, ACCELERATOR (FROM F/S R-4000 1)	1	1	SPL, SRL	N
	7	1P124-61000	WASHER-CROSS SHAFT	1	10	SPL, SRL	
	8	1R137-10600	RING-SNAP, "EM"	1	10	SPL, SRL	
	9	00915-11610	WASHER-LOCK	1	50	SPL, SRL	
	10	00911-14610	NUT	1	50	SPL, SRL	
	11	1R127-12300	BACKET-CROSS SHAFT	2	5	SPL, SRL	
	12	00314-11410	SCREW	6	50	SPL, SRL	
	13	00915-11410	WASHER-LOCK	6	50	SPL, SRL	
	14	1R020-12300	HOLDER-ACCELERATOR WIRE	1	1	SPL, SPL	
	15	1R021-12300	CLAMP-ACCELERATOR WIRE	1	5	SPL, SRL	
	16	00915-11010	WASHER-LOCK	1	50	SPL, SRL	
	17	00369-01210	SCREW	1	50	SPL, SRL	
	18	00911-34410	NUT	1	50	SPL, SRL	
	19	00124-42010	BOLT	1	50	SPL, SRL	
	20	1P100-12301	ASSY-WIRE, ACCELERATOR	1	5	SPL, (SU)	

REVISED: MARCH, 1972

13 - 1

Printed in Japan



FIG. 13 i6 NISSAN MOTOR CO., LTD.

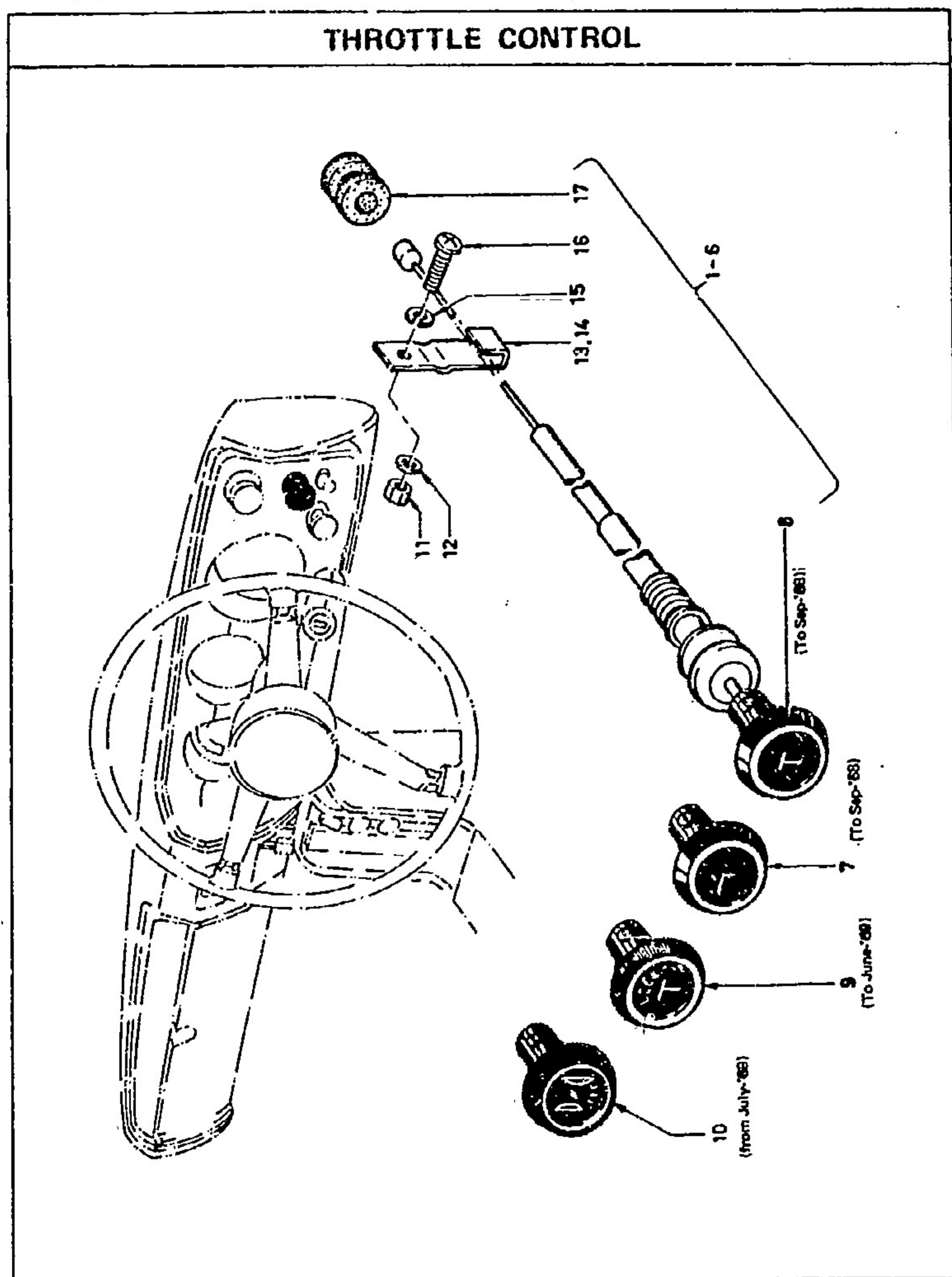
S	KEY NO.	PART NO.	PART NAME	QTY	SALES UNIT	MODEL	ICA
•	21	1F100-25601	ASSY-WIRE, ACCELERATOR	1		SPL (SU)	Y
	22	1F100-26000	ASSY-WIRE, ACCELERATOR (L=970)	1	5	SPL SPLU (SU)	Y
•	23	1F100-25603	ASSY-WIRE, ACCELERATOR	1		SPL (SOLE)	Y
	24	1F100-26002	ASSY-WIRE, ACCELERATOR (L=085)	1	5	SPL (SOLEX CARB)	Y
•	25	1F100-25602	ASSY-WIRE, ACCELERATOR	1		SRL (SU)	Y
	26	1F100-26001	ASSY-WIRE, ACCELERATOR (L=085)	1	5	SRL, SRLU (SU & SOLEX)	Y
•	27	1F410-14600	COMP-WIRE, CHOKE CONTROL (TO E/R=40000)	1		SPL, SPLU	
	28	1F410-14601	WIRE-CHOKE CONTROL (FROM E/R=40001 TO SEP-67)	1	5	SPL, SPLU SRLU	Y
	29	1F410-25600	WIRE-CHOKE CONTROL (TO SEP-67)	1	1	SRL	
•	30	1F410-25900	WIRE-CHOKE CONTROL (FROM OCT-67 TO JUNE-69)	1	2	SRL, SRLU (SOLEX)	C
	31	1F410-A7400	WIRE-CHOKE CONTROL (FROM JULY-69)	1	5	SRL, SRLU (SOLEX)	Y
	32	1F410-26001	WIRE-CHOKE CONTROL FOR SU (FROM OCT-67 TO SEP-68)	1	5	SRL, SRLU	C
•	33	1F410-A3200	WIRE-CHOKE CONTROL (FROM OCT-68)	1	5	SRL, SRLU (SU)	C
	34	1F410-A7500	WIRE-CHOKE CONTROL (FROM JULY-69)	1	5	SRL, SRLU (SU)	Y
	35	1F410-14603	WIRE-CHOKE CONTROL (FROM OCT-67 TO SEP-68)	1	1	SPL, SRLU (SU)	C
•	36	1F410-A3201	WIRE-CHOKE CONTROL (FROM OCT-68 TO JUNE-69)	1	5	SPL, SPLU (SU)	C

NISSAN MOTOR CO., LTD.

FIG. 13

S	KEY NO.	PART NO.	PART NAME	QTY	SALES UNIT	MODEL	ICA
	37	1F410-A7410	WIRE-CHOKE CONTROL (FROM JULY-69)	1	1	SPL, SPLU (SU)	Y
•	38	1F415-13200	KNOB-CHOKE WIRE (TO F/R=40000)	1	5	SPL	
	39	1F415-A0601	KNOB-CHOKE WIRE (TO F/R=40000)	1	5	SPL	Y
	40	1F415-25900	ASSY-KNOB, CHOKE CONTROL (TO SEP-67)	1	5	SRL, SRLU	
•	41	1F415-25900	ASSY-KNOB, CHOKE CONTROL (FROM OCT-67)	1	5	L DRIVE	N
	42	1F415-A7400	ASSY-KNOB, CHOKE CONTROL (FROM JULY-69)	1	10	L DRIVE	Y
•	43	1F417-72600	GROMMET-RUBBER	1	5	L DRIVE	
	44	1F417-15800	GROMMET-RUBBER	1	5	L DRIVE	Y

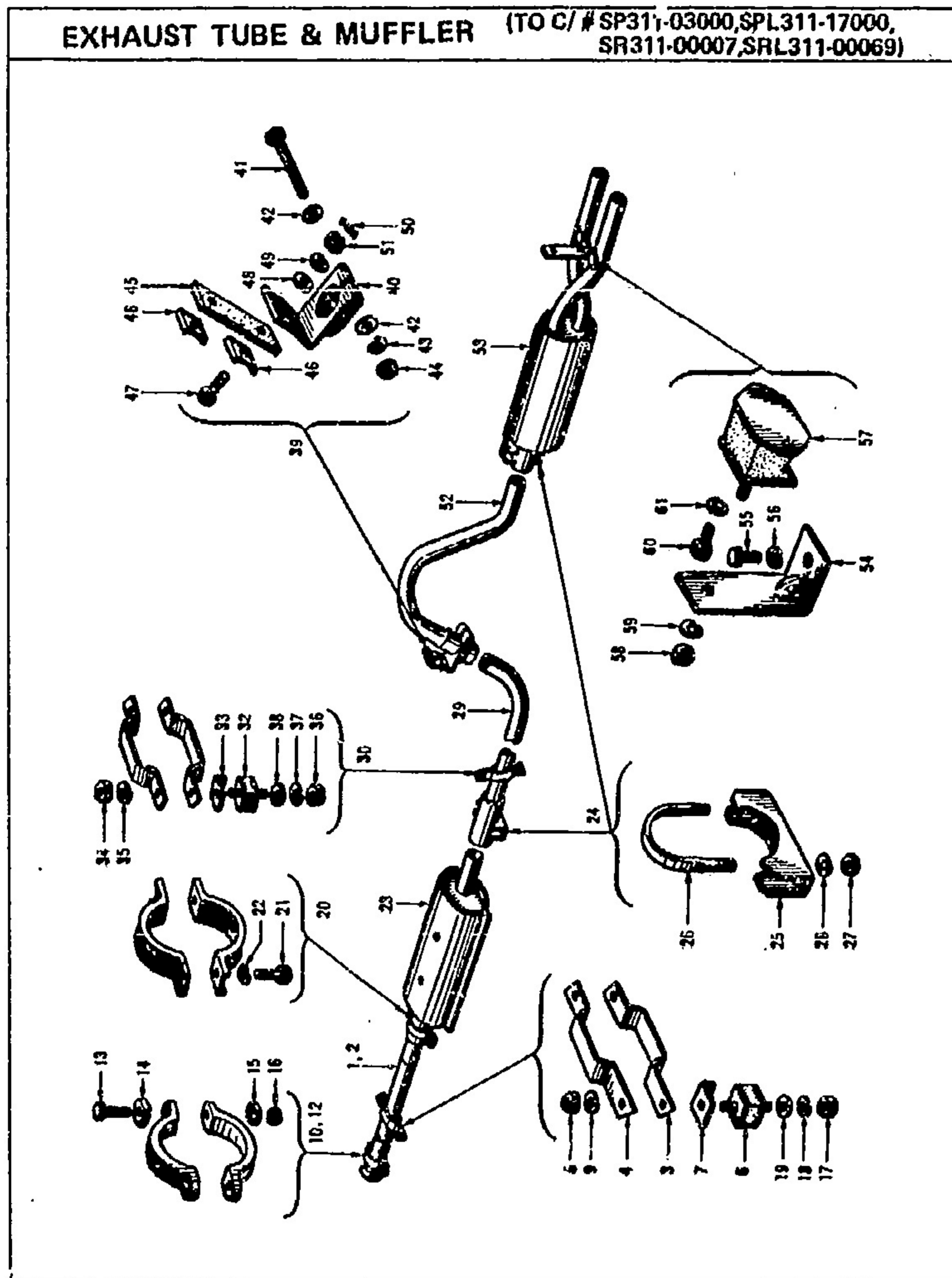




S	KEY NO.	PART NO.	PART NAME	QTY	SALES UNIT	MODEL	ICA
			<b>THROTTLE CONTROL</b>				
	1	18510-25500	COMP-WIRE, CONTROL (FROM E/S R-40001 TO SEP-67)	1	1	SP SR	
	2	18510-25900	COMP-WIRE, CONTROL (FROM OCT-67)	1	1	SP SR	N
	3	18510-A7400	COMP-WIRE, CONTROL (FROM JULY-69)	1		SP SR	Y
	4	18510-25600	COMP-WIRE, CONTROL (FROM E/S R-40001 TO SEP-67)	1	1	SPL SRL	
	5	18510-26000	COMP-WIRE, CONTROL (FROM OCT-67)	1	1	SPL SRL	N
	6	18510-A7800	COMP-WIRE, CONTROL (FROM JULY-69)	1		SPL SRL	Y
	7	18415-25500	ASSY-KNOB	1	5	ALL	
	8	18515-25900	ASSY-KNOB	1	5	ALL	Y
	9	18515-A3200	ASSY-KNOB	1	1	ALL	Y
	10	18515-A7400	ASSY-KNOB (FROM JULY-69)	1		ALL	Y
	11	18411-31300	NUT	1	10	ALL	
	12	18412-31300	WASHER-PLAIN	1	50	ALL	
	13	18429-25500	CLAMP-THROTTLE WIRE	1	5	SP, SR	
	14	18429-25600	CLAMP-THROTTLE WIRE	1	5	SPL, SRL	
	15	00915-11010	WASHER-SPRING	1	50	ALL	
	16	00369-01410	SCREW-MACHINE	1	50	ALL	
	17	00951-10600	GROMMET-RUBBER	1	10	SPL, SRL	



FIG. 14 i8 NISSAN MOTOR CO., LTD.



F14 - 1

APRIL, 1968

Printed in Japan

SP311  
NISSAN MOTOR CO., LTD.

FIG. 14

KEY NO.	PART NO.	PART NAME	QTY	SALES UNIT	MODEL	ICA
<b>EXHAUST TUBE</b>						
1	20011-16350	ASSY-TUBE, EXHAUST FROM T, WITH CLAMP	1	1	1.6L	
2	20011-25550	ASSY-TUBE, EXHAUST FROM T, WITH CLAMP (TO C/ # SR 311 00007, SRL311 00069 )	1	1	2L	
3	20611-12200	CLAMP-EXHAUST TUBE	1	1	ALL	
4	20612-12200	CLAMP-EXHAUST TUBE	1	1	ALL	
5	20220-04100	MOUNTING-RUBBER, EXHAUS T TUBE	2		ALL	
6	20220-14600	MOUNTING-RUBBER, EXHAUS T TUBE	2	5	ALL	Y
7	20613-12200	INSULATOR-MOUNTING, EXH AUST	2	5	ALL	
8	00911-14510	NUT TO FIX CLAMP	2	50	ALL	
9	00915-11510	WASHER-LOCK TO FIX CLA MP	2	50	ALL	
10	20013-32250	ASSY-CLAMP, EXHAUST FRO NT TUBE, FRONT	1	5	1.6L	
11	20013-25500	CLAMP-MUFFLER, FRONT LO WER (TO C/ # SR311 00007 , SPL311 00069)	2	10	2L	
12	20013-25501	CLAMP, FRONT LOW (TO C/ # SR311 00007, SRL311 00069)	2	5	2L	Y
13	00114-55610	BOLT	2	10	ALL	
14	20014-04100	SLAT-EXHAUST TUBE CLAM P	2	50	ALL	
15	20015-04100	SEAT-EXHAUST TUBE CLAM P	2	50	ALL	

REVISED: DECEMBER, 1970

1A - 1

Printed in Japan



FIG. 14 19

NISSAN MOTOR CO., LTD.

S	KEY NO.	PART NO.	PART NAME	QTY	SALES UNIT	MODEL	ICA
	16	14039-30000	NUT	2	50	ALL	
	17	00911-14510	NUT TO FIX EXHAUST TUBE TO FRAME	2	50	ALL	
	18	00915-11510	WASHER-LOCK TO FIX EXHAUST TUBE TO FRAME	2	50	ALL	
	19	00915-41510	WASHER-PLAIN TO FIX EXHAUST TUBE TO FRAME	2	50	ALL	
	20	20132-32251	ASSY-CLAMP, MUFFLER TO FRONT TUBE	1	10	ALL	
	21	00114-52010	BOLT	2	50	ALL	
	22	00915-11510	WASHER-LOCK	2	50	ALL	
	23	20101-16300	ASSY-MUFFLER	1	1	ALL	
	24	20023-04550	ASSY-CLAMP, EXHAUST TUBE, "U" BOLT	2	1	ALL	
	25	20023-04500	CLAMP-EXHAUST TUBE, FRONT	2	1	ALL	
	26	20031-04500	"U" BOLT-EXHAUST TUBE CLAMP	2	10	ALL	
	27	00911-14510	NUT	4	50	ALL	
	28	00915-11510	WASHER-LOCK	4	50	ALL	
	29	20201-10400	TUBE-EXHAUST, CENTER	1	1	ALL	
	30	20023-10451	ASSY-CLAMP, EXHAUST TUBE, 2ND	1	1	ALL	
	31	20220-04100	MOUNTING-RUBBER, EXHAUST TUBE	2		ALL	
	32	20220-14600	MOUNTING-RUBBER, EXHAUST TUBE	2	5	ALL	Y
	33	20613-12200	INSULATOR-MOUNTING, EXHAUST	2	5	ALL	
	34	00911-14510	NUT TO FIX CLAMP TO MOUNTING RUBBER	2	50	ALL	

14 - 2

Printed in Japan

REVISED: DECEMBER, 1970

NISSAN MOTOR CO., LTD.

FIG. 14

S	KEY NO.	PART NO.	PART NAME	QTY	SALES UNIT	MODEL	ICA
	35	00915-11510	WASHER-LOCK TO FIX CLAMP TO MOUNTING RUBBER	2	50	ALL	
	36	00911-14510	NUT TO FIX MOUNTING RUBBER TO BRACKET	2	50	ALL	
	37	00915-11510	WASHER-LOCK TO FIX MOUNTING RUBBER TO BRACKET	2	50	ALL	
	38	00915-41510	WASHER-PLAIN TO FIX MOUNTING RUBBER TO BRACKET	2	50	ALL	
	39	20641-10451	ASSY-CLAMP, EXHAUST TUBE, CENTER	1	1	ALL	
	40	20641-10400	CLAMP-EXHAUST TUBE	1	1	ALL	
	41	00114-56510	BOLT	1	50	ALL	
	42	00915-41510	WASHER-PLAIN	1	50	ALL	
	43	00915-11510	WASHER-LOCK	1	50	ALL	
	44	00911-14510	NUT	1	50	ALL	
	45	20632-10600	STRAP-EXHAUST HANGER	1	5		
	46	20622-10600	WASHER-STRAP	2	10	ALL	
	47	00114-52210	BOLT TO FIX REAR TUBE TO CENTER TUBE	2	50	ALL	
	48	00915-41510	WASHER-PLAIN TO FIX REAR TUBE TO CENTER TUBE	2	50	ALL	
	49	00915-11510	WASHER-LOCK TO FIX REAR TUBE TO CENTER TUBE	2	50	ALL	
	50	00921-11810	PIN-COTTER TO FIX REAR TUBE TO CENTER TUBE	2	50	ALL	
	51	00911-74310	NUT TO FIX REAR TUBE TO CENTER TUBE	2	50	ALL	
	52	20211-10401	TUBE-EXHAUST, REAR	1	1	ALL	
	53	20300-10450	ASSY-BOOSTER, WITH TAIL PIPE CLAMP	1	1	ALL	

14 - 3

Printed in Japan

REVISED: DECEMBER, 1970



FIG. 14 i10 NISSAN MOTOR CO., LTD.

S	KEY NO.	PART NO.	PART NAME	QTY	SALES UNIT	MODEL	ICA
	54	20216-10401	HANGER-EXHAUST TUBE REAR	1	1	ALL	
	55	00114-51610	BOLT	1	50	ALL	
	56	00915-11510	WASHER-LOCK	1	50	ALL	
	57	11328-30801	CUMP.-MOUNTING	1	4	ALL	
	58	00911-14510	NUT	1	50	ALL	
	59	00915-11510	WASHER-LOCK	1	50	ALL	
	60	00114-51610	BOLT	2	50	ALL	
	61	00915-11510	WASHER-LOCK	2	50	ALL	

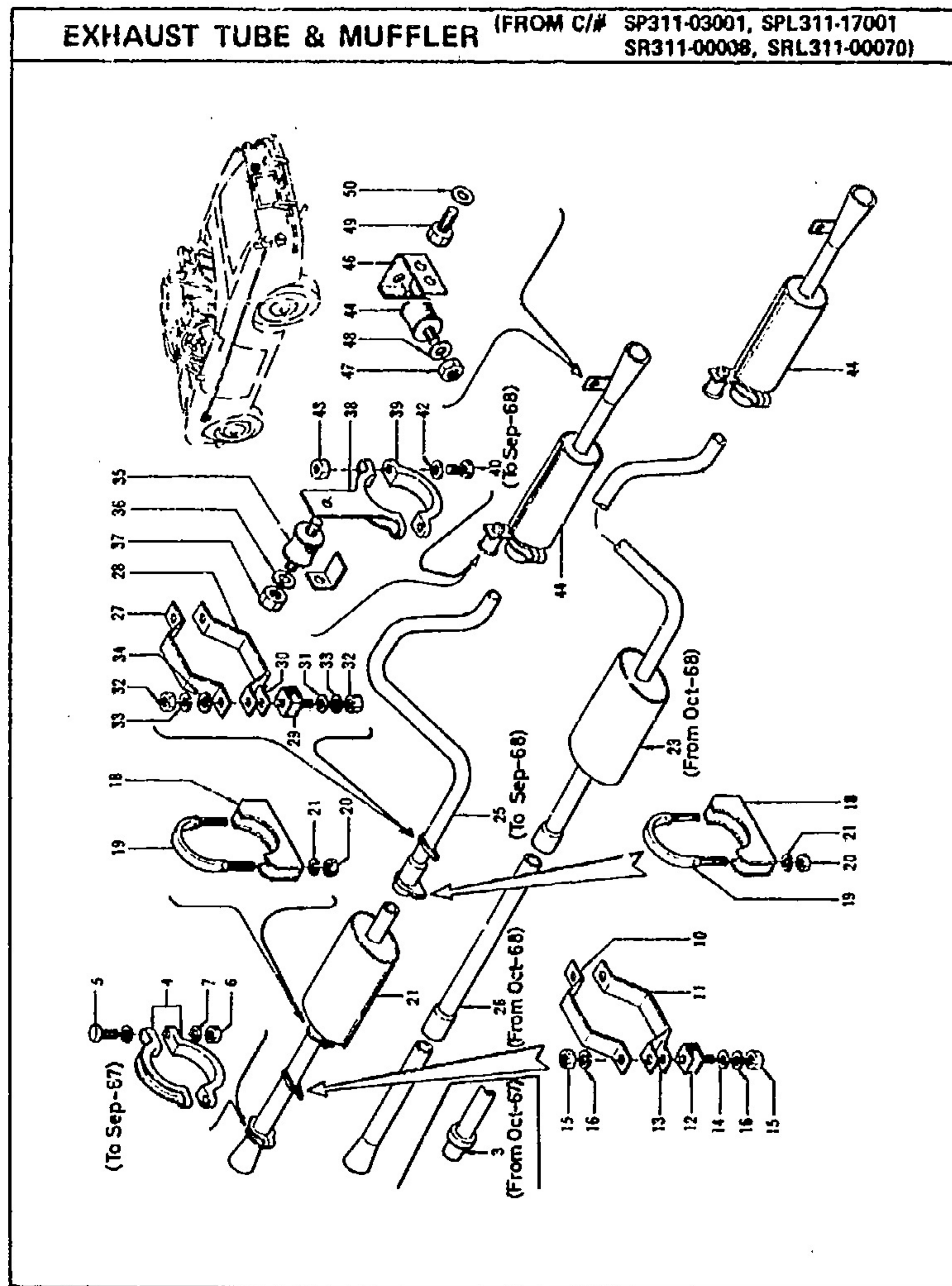
REVISED: 26-SEPTEMBER, 1970

14 - 4

Printed in Japan



FIG. 14A i11 NISSAN MOTOR CO., LTD.



DECEMBER, 1971

F14A - 1

Printed in Japan

NISSAN MOTOR CO., LTD.

FIG. 14A

KEY NO.	PART NO.	PART NAME	QTY	SALES UNIT	MODEL	ICA
<b>EXHAUST TUBE &amp; MUFFLER</b> (FROM C/H SP311-03001, SPL311-17001 SR311-00008, SRL311-00070)						
1	20011-16350	TUBE=FRONT W/CLAMP (TO SEP=67)	1	1	1.6L	
2	20011-25551	TUBE=FRONT W/CLAMP (TO SEP=67)	1	1	2L	
3	20010-25950	TUBE=FRONT W/CLAMP (FROM OCT=67)	1	1	ALL	
4	20013-25501	CLAMP TO EXHAUST	2	5	2L	
5	00114-52510	BOLT (TO SEP=67)	2	50	2L	
6	14039-30000	NUT (TO SEP=67)	2	50	2L	
7	00915-11510	WASHER (TO SEP=67)	2	50	2L	
8	20601-25900	PLATE=TUBE END (FROM OCT=67)	1	1	ALL	
9	20650-37700	PISTON=MANIFOLD TO TUBE (FROM OCT=67)	1	10	ALL	
10	20665-25500	CLAMP=UPPER	1	1	ALL	
11	20666-25500	CLAMP=LOWER	1	1	ALL	
12	20220-25500	RUBBER	2	5	ALL	
13	20613-12200	INSULATOR	2	5	ALL	
14	20614-14600	SHIM	2	10	ALL	
15	00911-14510	NUT	4	50	ALL	
16	00915-11510	WASHER=LOCK	4	50	ALL	
17	00915-11510	WASHER=PLAIN	2	50	ALL	
18	20102-25500	CLAMP	2	1	ALL	
19	20103-25500	U BOLT	2	10	ALL	
20	00911-14510	NUT	4	50	ALL	

REVISED: DECEMBER, 1970

14-A- 1

Printed in Japan



SR 311

FIG. 14A i12 NISSAN MOTOR CO., LTD.

S	KEY NO.	PART NO.	PART NAME	QTY	SALES UNIT	MODEL	ICA
	21	00915-11510	WASHER	4	50	ALL	
L	22	20101-25500	ASSY-HUFFLER (TO SEP-68)	1	1	ALL	
	23	20101-A3200	ASSY-HUFFLER(FROM OCT-68)	1	4	ALL	N
	24	20201-25550	ASSY-TUBE WITH CENTER CLAMP	1	1	ALL	
	25	20201-25551	ASSY-TUBE WITH CENTER CLAMP (TO SEP-68)	1	1	ALL	V
	26	20201-A3250	ASSY-TUBE WITH CENTER CLAMP(FROM OCT-68)	1	1	ALL	N
	27	20667-25500	CLAMP-UPPER	1	1	ALL	
	28	20668-25500	CLAMP-LOWER	1	1	ALL	
	29	20220-25500	RUBBER	2	5	ALL	
	30	20613-12200	INSULATOR	2	5	ALL	
	31	20614-14600	SHIM	2	10	ALL	
	32	00911-14510	NUT	4	50	ALL	
	33	00915-11510	WASHER-LOCK	4	50	ALL	
	34	00915-11510	WASHER-PLAIN	2	50	ALL	
	35	20303-25500	RUBBER-MOUNTING	1	5	ALL	
	36	00915-11510	WASHER	2	50	ALL	
	37	00911-14510	NUT	2	50	ALL	
	38	20202-25500	CLAMP-UPPER	1		ALL	
	39	20661-73201	CLAMP-LOWER	1	1	ALL	
	40	00114-52010	BOLT (TO SEP-68)	2	50	ALL	
	41	00114-52510	BOLT-HEX (FROM OCT-68)	2	50	ALL	N
	42	00915-11510	WASHER	2	50	ALL	
	43	00911-14510	NUT	2	50	ALL	

REVISED: DECEMBER, 1970

14-A- 2

Printed in Japan

SR

NISSAN MOTOR CO., LTD.

FIG. 14A

S	KEY NO.	PART NO.	PART NAME	QTY	SALES UNIT	MODEL	ICA
	44	20300-25500	ASSY-BOOSTER	1	1	ALL	
	45	20303-25500	RUBBER-MOUNTING	1	5	ALL	
	46	20304-25500	BRACKET	1	1	ALL	
	47	00911-14510	NUT	2	50	ALL	
	48	00915-11510	WASHER	2	50	ALL	
	49	00114-51610	BOLT	2	50	ALL	
	50	00915-11510	WASHER	2	50	ALL	

REVISED: DECEMBER, 1970

14-A- 3

Printed in Japan



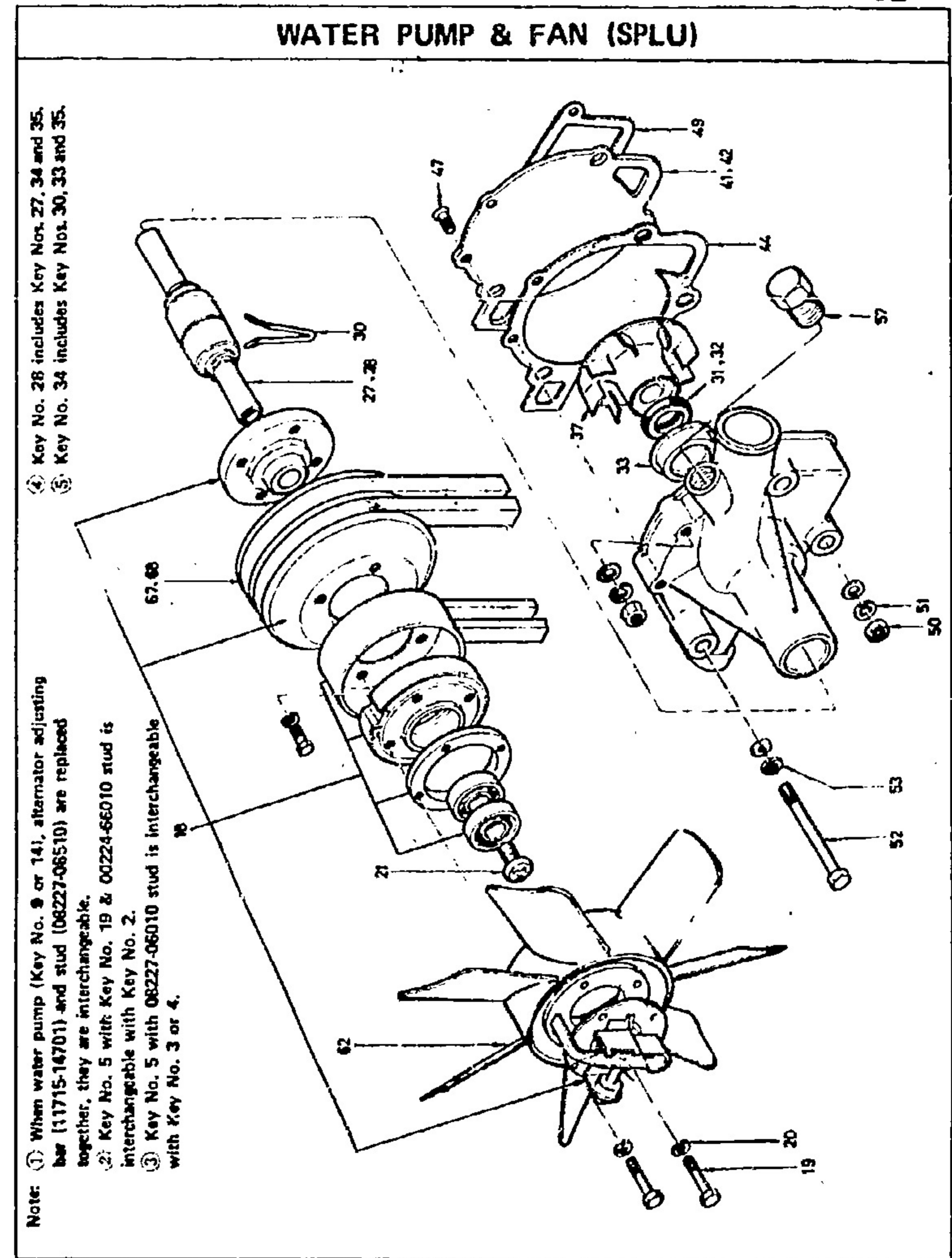
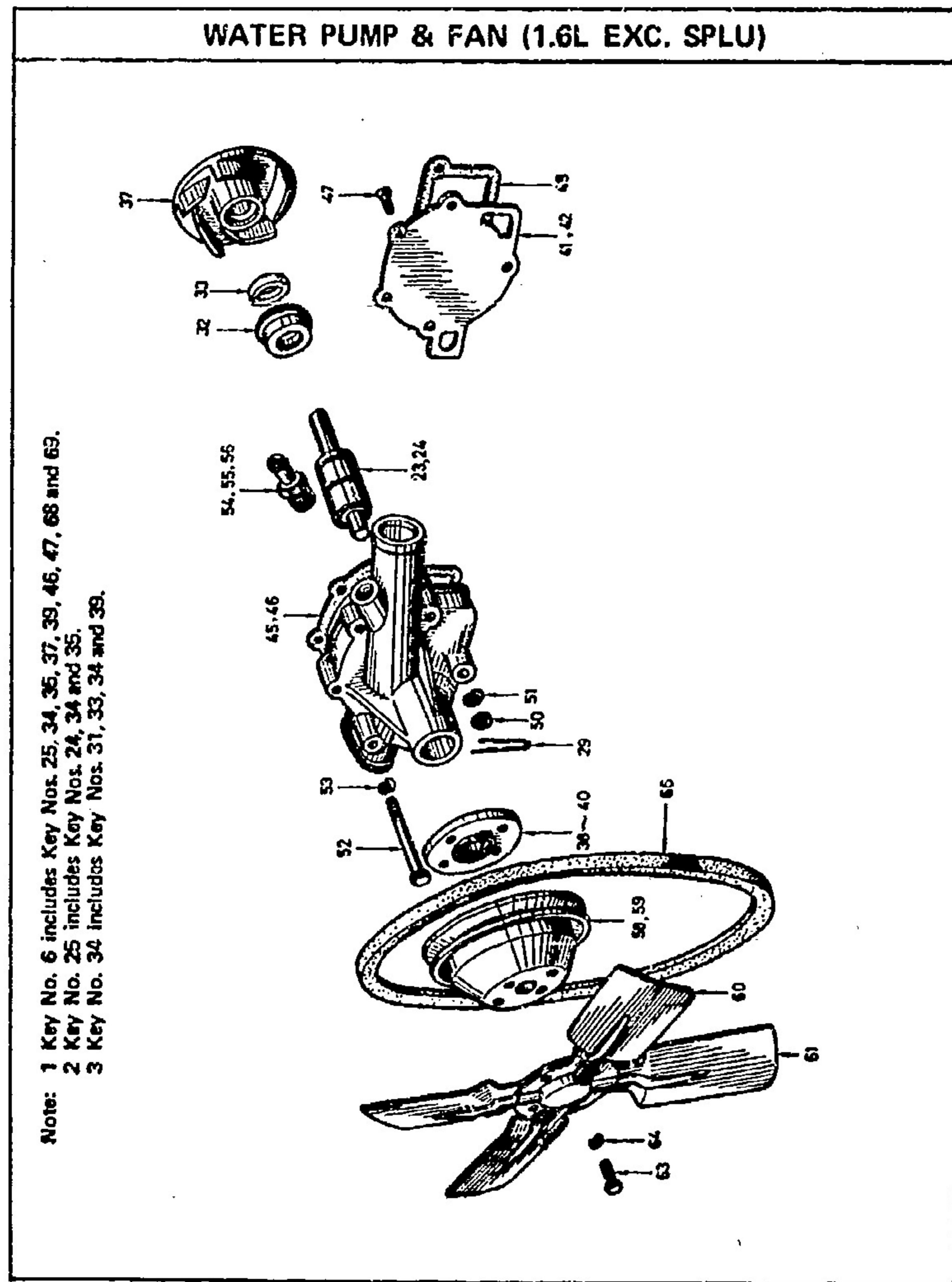




FIG. 15 i14

NISSAN MOTOR CO., LTD.

S	KEY NO.	PART NO.	PART NAME	QTY	SALES UNIT	MODEL	ICA
			<b>WATER PUMP (1.6L)</b>				
•	1	21010-14600	ASSY-WATER PUMP	1	1.6L EXC SPLU		
•	2	21010-66001	ASSY-WATER PUMP (INCH) (FROM E/F R-26019)	1	1.6L EXC SPLU	Y	
•	3	21010-76200	ASSY-WATER PUMP (METRIC)	1	1.6L EXC SPLU	N	
•	4	21010-76201	ASSY-WATER PUMP (METRIC) (FROM E/F R-26019)	1	1.6L EXC SPLU	Y	
•	5	21010-76202	ASSY-WATER PUMP (METRIC) (FROM E/F R-26019)	1	1.6L EXC SPLU	C	
•	6	21010-76203	ASSY-WATER PUMP	1	1.6L EXC SPLU	Y	
•	7	21010-76225	ASSY-WATER PUMP W/GASKET	1	1.6L EXC SPLU	Y	
•	8	21000-14700	WATER PUMP W/FAN CLUTCH (FROM OCT-67)	1	1 SPLU		
•	9	21000-14701	WATER PUMP W/FAN CLUTCH	1	1 SPLU	C	
•	10	21000-14702	WATER PUMP W/FAN CLUTCH (FROM E/F R-117500)	1	1 SPLU	Y	
•	11	21000-14725	WATER PUMP W/FAN CLUTCH & GASKET	1	1 SPLU	Y	
•	12	21010-14700	WATER PUMP (FROM OCT-67)	1	1 SPLU		
•	13	21010-14701	WATER PUMP (FROM OCT-67)	1	1 SPLU	Y	
•	14	21010-14702	WATER PUMP	1	1 SPLU	C	
•	15	21010-14703	WATER PUMP	1	1 SPLU	Y	

NISSAN MOTOR CO., LTD.

FIG. 15

S	KEY NO.	PART NO.	PART NAME	QTY	SALES UNIT	MODEL	ICA
	16	21010-14725	WATER PUMP W/GASKET	1	1.6L EXC SPLU		Y
•	17	21095-25600	ASSY-FAN CLUTCH W/HUB PULLEY (FROM OCT-67)	1	1 SPLU		
•	18	21150-25600	FAN CLUTCH (FROM OCT-67)	1	1 SPLU		
•	19	08130-61610	BOLT-HEX M6 (FROM OCT-67)	4	50 SPLU		
•	20	08915-13610	WASHER-LOCK (FROM OCT-67)	4	50 SPLU		
•	21	21040-25600	BOLT-BEARING (FROM OCT-67)	1	10 SPLU		
•	22	21026-62225	KIT-SEALS, WATER PUMP REPAIR	1	1.6L		
•	23	21035-14600	BEARING-WATER PUMP	1	1.6L		
•	24	21035-66001	BEARING-WATER PUMP	1	1.6L EXC SPLU		N
•	25	21046-76206	BEARING & SEAL SET	1	1.6L EXC SPLU		
•	26	21035-14700	BEARING-WATER PUMP (FROM OCT-67)	1	1 SPLU		
•	27	21035-14701	BEARING-WATER PUMP	1	1 SPLU		Y
•	28	21046-14700	BEARING & SEAL SET (FROM E/F R-117500)	1	1 SPLU		
•	29	21043-04000	WIRE-LOCK	1	10 1.6L		
•	30	21043-73000	WIRE-LOCK (FROM E/F R-26019)	1	10 1.6L		Y
•	31	21026-14600	ASSY-SEAL, WATER PUMP	1	5 1.6L		
•	32	21026-85000	ASSY-SEAL, WATER PUMP	1	10 1.6L		
•	33	21027-62200	ASSY-SEAL, WATER PUMP	1	5 1.6L		
•	34	21047-A0100	SEAL & WIRE SET (FROM E/F R-117500)	1	1 1.6L		
•	35	21047-00700	SEAL & WIRE SET	1	1.6L		Y



FIG. 15 i15 NISSAN MOTOR CO., LTD.

S	KEY NO.	PART NO.	PART NAME	QTY	SALES UNIT	MODEL	ICA
•	34	21022-14600	VANE-WATER PUMP	1		1.6L	
	37	21022-62200	VANE-WATER PUMP	1	1	1.6L	Y
	35	21054-14600	HUB WATER PUMP PULLEY	1	1	1.6L EXC SPLU	
	30	21054-78200	HUB WATER PUMP PULLEY	1	2	1.6L EXC SPLU	N
	40	21054-25500	HUB WATER PUMP PULLEY (FROM OCT-67)	1	1	SPLU	
	41	21013-14600	COVER-WATER PUMP	1	1	1.6L	
	42	21013-66001	COVER-WATER PUMP (FROM F/R R-26019)	1	1	1.6L	Y
	43	21013-78202	COVER-WATER PUMP	1	1	SPLU	
	44	21014-14600	GASKET-WATER PUMP COVER	1	10	1.6L	
	45	21014-66001	GASKET-WATER PUMP COVER (FROM E/R R-26019)	1	10	1.6L	Y
	46	21014-78202	GASKET-WATER PUMP COVER	1	10	1.6L	N
	47	21012-01300	SCREW MACHINE	2	50	1.6L	
•	48	21074-14600	GASKET-WATER PUMP, BLOCK SIDE	1	10	1.6L	
	49	21074-69200	GASKET-BLOCK SIDE	1	10	1.6L	Y
	50	00911-14610	NUT TO FIX WATER PUMP	1	50	1.6L	
	51	00915-11610	WASHER-LOCK TO FIX WATER PUMP	1	50	1.6L	
	52	00111-56010	BOLT TO FIX WATER PUMP	2	50	1.6L	
	53	00915-41610	WASHER-LOCK TO FIX WATER PUMP	2	50	1.6L	
•	54	14057-14600	CONNECTOR-CYLINDER HEAD TO WATER PUMP (TO E/R R-40000)	1	100	1.6L	

NISSAN MOTOR CO., LTD.

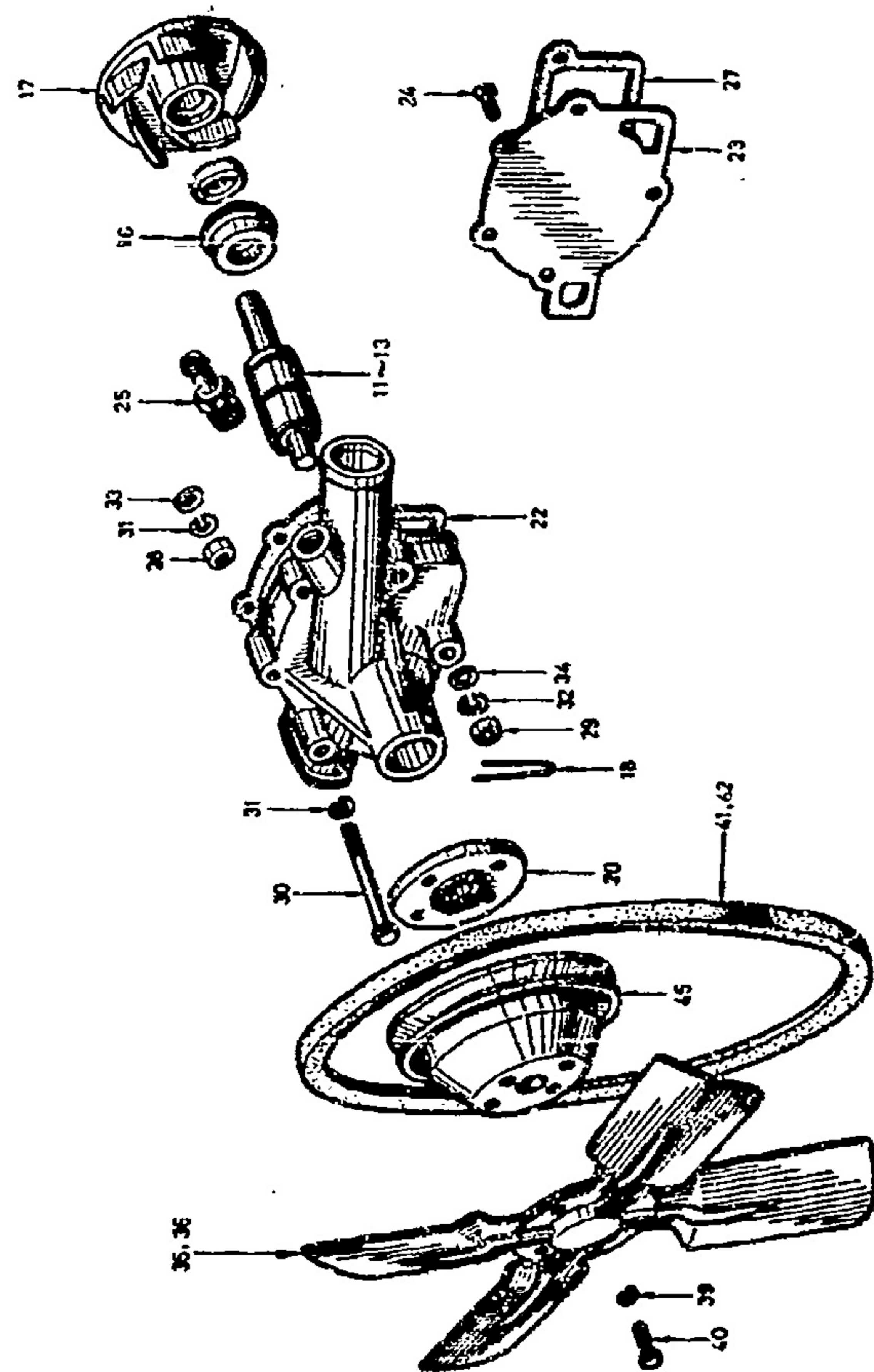
FIG. 15

S	KEY NO.	PART NO.	PART NAME	QTY	SALES UNIT	MODEL	ICA
	55	14059-14600	CONNECTOR-CYLINDER HEAD	1	5	1.6L	Y
•	56	14507-14001	CONN-CYL HEAD TO WATER PUMP (FROM E/R R-40001)	1		1.6L	"
	57	00931-30610	PLUG-TAPPER	1	50	1.6L	
	58	21051-12200	PULLEY-FAN & WATER PUMP	1	1	1.6L	
	59	21051-25600	PULLEY WATER PUMP (FROM OCT-67)	1	1	SPLU	
	60	21061-32200	BLADE-FAN, FRONT	1	2	1.6L EXC SPLU	
	61	21062-32200	BLADE-FAN, REAR	1	2	1.6L EXC SPLU	
	62	21060-25600	ASSY-FAN PLASTIC (7 BLADES)	1	1	SPLU	
	63	00114-42210	BOLT	2	50	1.6L	
	64	00915-21410	WASHER-LOCK	2	50	1.6L	
	65	21067-38800	BELT-FAN (TO E/R R-40000)	1	1	1.6L	
	66	21067-10800	BELT-FAN (FROM E/R R-40001)	1	1	1.6L EXC SPLU	"
	67	11720-25604	BELT-FAN (FROM E/R R-40001)	1	1	SPLU	
	68	21067-10600	BELT-FAN (OPTION)	1	1	OP. 1.6L	
	69	00933-11810	WITCH PLUG WATER PUMP	1	50	1.6L	



FIG. 15A-1 i16 NISSAN MOTOR CO., LTD.

WATER PUMP & FAN (2L EXC. SRLU)



MARCH, 1971

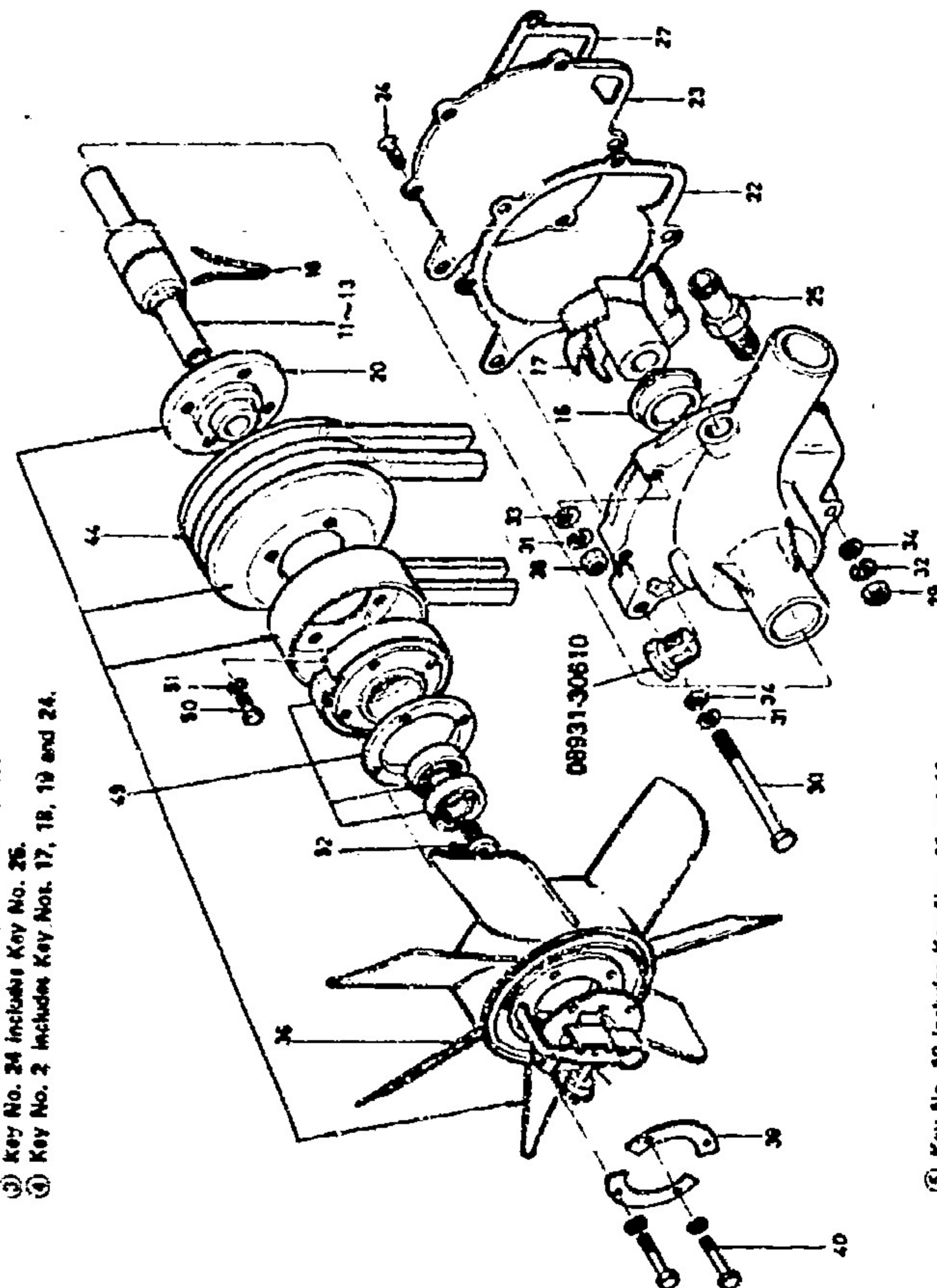
F15A - 1

Printed in Japan

NISSAN MOTOR CO., LTD.

FIG. 15A-2

WATER PUMP & FAN (SRLU)



Note:  
 ① Key No. 16 includes Key No. 13.  
 ② Key No. 18 includes Key Nos. 16 and 17.  
 ③ Key No. 24 includes Key No. 26.  
 ④ Key No. 2 includes Key Nos. 17, 18, 19 and 24.

⑤ Key No. 10 includes Key Nos. 11 and 13.  
 ⑥ Key No. 53 includes Key Nos. 20, 45 and 52.  
 ⑦ Key No. 8 includes Key Nos. 14, 15, 16, 17, 22 and 24.

MARCH, 1971

F15A - 2

Printed in Japan



FIG. 15A J1 NISSAN MOTOR CO., LTD.

S	KEY NO.	PART NO.	PART NAME	QTY	SALES UNIT	MODEL	ICA
<b>WATER PUMP &amp; FAN (2L)</b>							
•	1	21010-25501	ASSY-WATER PUMP	1	1	2L EXC EXHAUSTED	
•	2	21010-25502	ASSY-WATER PUMP	1		2L EXC EMISSION CONTROL	Y
•	3	21010-25525	ASSY-WATER PUMP W/GASKET	1	1	2L EXC EMISSION CONTROL	Y
•	4	21000-25600	WATER PUMP W/FAN CLUTCH (FROM OCT-67)	1	1	2L EXHAUSTED	
•	5	21000-25601	WATER PUMP W/O FAN CLUTCH (FROM JULY-69)	1		2L EMISSION CONTROL	Y
•	6	21000-25625	WATER PUMP W/GASKET	1	1	2L EMISSION CONTROL	Y
•	7	21010-25600	WATER PUMP (FROM OCT-67)	1	1	2L EMISSION CONTROL	Y
•	8	21010-25601	WATER PUMP (FROM JULY-69)	1		2L EMISSION CONTROL	Y
•	9	21010-25625	WATER PUMP W/GASKET	1		2L EMISSION CONTROL	Y
•	10	21046-25500	BEARING & SEAL SET-	1		2L EXC EMISSION CONTROL	
•	11	21035-25500	BEARING-WATER PUMP	1	1	2L EXC EMISSION CONTROL	
•	12	21035-25501	BEARING-WATER PUMP	1	1	2L EXC EMISSION CONTROL	Y
•	13	21035-25601	BEARING-WATER PUMP	1	1	2L EMISSION CONTROL	

REVISED: DECEMBER, 1971

15-A- 1

Printed in Japan

NISSAN MOTOR CO., LTD.

FIG. 15A

S	KEY NO.	PART NO.	PART NAME	QTY	SALES UNIT	MODEL	ICA
•	14	21046-25600	SLAT & WEARING SET	1	1	2L EMISSION CONTROL	
•	15	21026-14600	ASSY-SEAL, WATER PUMP	1	5	2L	
•	16	21026-85000	ASSY-SEAL, WATER PUMP	1	10	2L	Y
•	17	21022-25500	VANE	1	1	2L	
•	18	21043-73000	RING-SHAP	1	10	2L	
•	19	21047-25500	SEAL & WIRE SET	1	1	2L	
•	20	21054-25500	WIRE	1	1	2L	
•	21	21014-25500	GASKET	1	10	2L	
•	22	21014-25501	GASKET	1	10	2L	Y
•	23	21013-25500	COVER	1	1	2L	
•	24	21012-25500	SCREW-MACHINE	3	1	2L	
•	25	11049-18811	CONNECTOR	1	5	2L	
•	26	00931-30610	PLUG-TAPPER	1	50	2L	
•	27	21074-20100	GASKET-WATER PUMP TO CYLINDER BLOCK	1	10	2L	
•	28	00911-14010	NUT-HEXAGON H10	1	50	2L	
•	29	00911-10810	NUT-HEXAGON H8	1	50	2L	
•	30	15267-25500	BOLT-HEXAGON HEAD H8	1	10	2L	
•	31	00915-14010	WASHER-SPRING, LOCK H10	1	50	2L	
•	32	00915-13810	WASHER-SPRING, LOCK H8	2	50	2L	
•	33	00915-44010	WASHER-PLAIN H10	1	50	2L	
•	34	00915-43810	WASHER-PLAIN H8	2	50	2L	
•	35	21060-25501	ASSY-FAN, PLASTIC	1	1	2L EXC SRLU	
•	36	21060-25600	ASSY-FAN, PLASTIC (7 HLA DLS)	1	1	SRLU	

REVISED: DECEMBER, 1971

15-A- 2

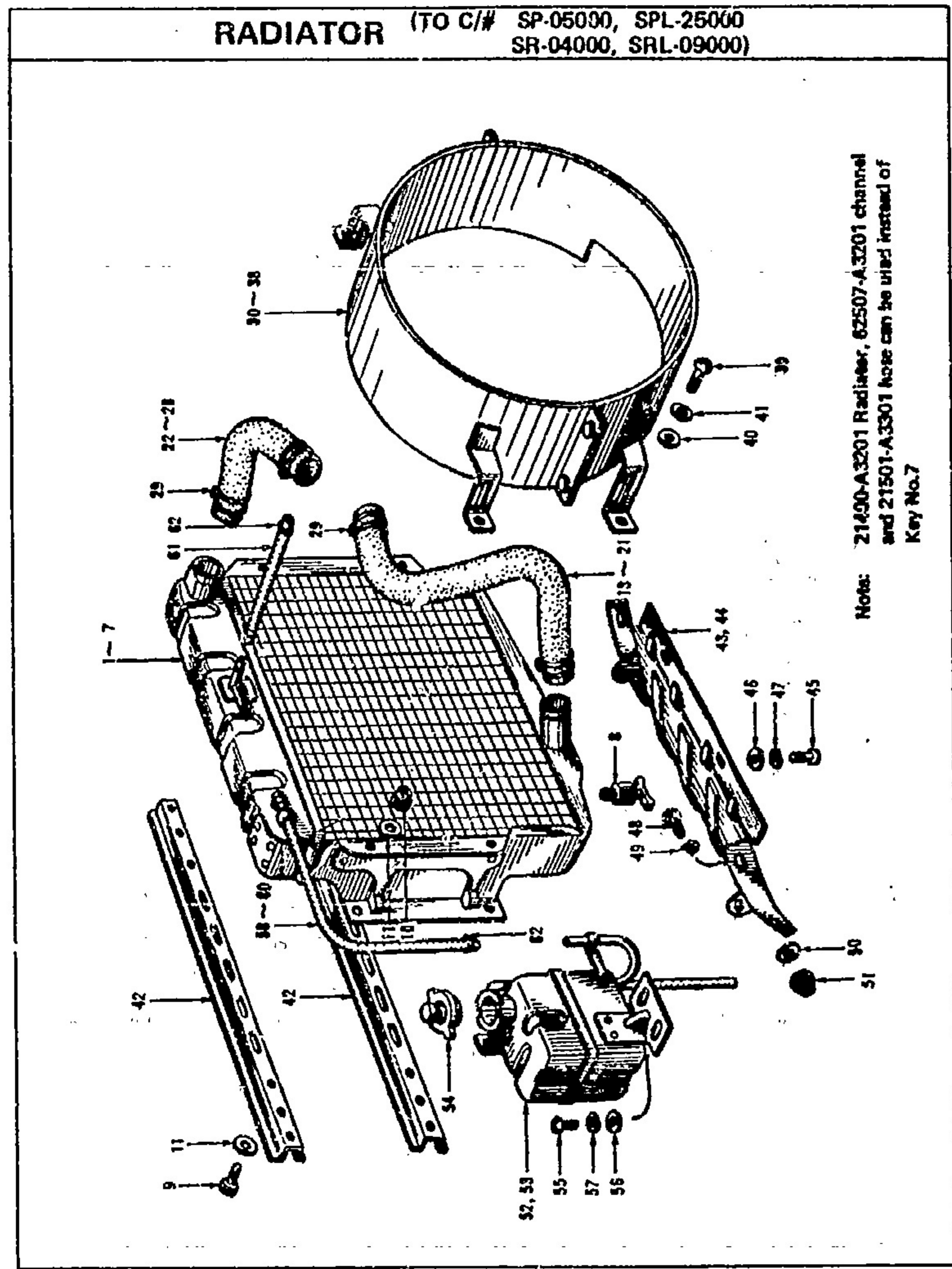
Printed in Japan



FIG. 15A J2 NISSAN MOTOR CO., LTD.

S	KEY NO.	PART NO.	PART NAME	QTY	SALES UNIT	MODEL	ICA
	37	21064-25500	SPACER-FAN	1	1	2L	
*	38	21068-25500	WASHER-LOCK, FAN	2		2L	
	39	21069-25500	WASHER-LOCK, FAN	2	10	2L	Y
	40	08130-64510	BOLT-HEXAGON M6	2	50	2L	
	41	21067-10800	BELT-FAN L990	1	1	SRL	
	42	11720-73403	BELT-FAN L880	1	1	SR	
*	43	11720-25600	BELT-FAN L870	1	1	SRLU	
	44	11720-25604	BELT FAN L856	1	1	SRLU	Y
	45	21051-25500	PULLEY	1	1	2L EXC. SRLU	
	46	21051-25600	PULLEY	1	1	SRLU	
	47	21036-14700	SPACER-WATER PUMP (FROM M OCT-67)	1	1	SRLU	
	48	17261-14700	STUD-WATER PUMP (FROM OCT-67)	1	10	SRLU	
	49	21150-25600	FAN CLUTCH (FROM OCT-67)	1	1	SRLU	
	50	08130-61610	BOLT-HEX M6 (FROM OCT-67)	4	50	SRLU	
	51	08915-13610	WASHER-LOCK (FROM OCT-67)	4	50	SRLU	
	52	21040-25600	BOLT-BEARING (FROM OCT-67)	1	10	SRLU	
*	53	21095-25600	ASSY-FAN CLUTCH WITH HUB PULLEY	1	1	SRLU	





S	KEY NO.	PART NO.	PART NAME	QTY	SALES UNIT	MODEL	ICA
			<b>RADIATOR</b> (TO C/W SP311-05000, SPL-25000 SR311-04000, SRL-09000)				
	1	21400-14601	ASSY-RADIATOR (TO SEP-67)	1	1	1,6L	
	2	21400-14602	ASSY-RADIATOR (FROM OCT-67)	1	1	1,6L EXC USA	N
	3	21400-14701	ASSY-RADIATOR (FROM OCT-67)	1	1	SPLU	N
	4	21400-25901	ASSY-RADIATOR	1	1	SR	
	5	21400-25600	ASSY-RADIATOR (TO SEP-67)	1	1	SRL	
	6	21400-25900	ASSY-RADIATOR (FROM OCT-67)	1	1	2L EXC USA	N
	7	21400-26000	ASSY-RADIATOR (FROM OCT-67)	1	1	SRLU	N
	8	21211-12601	COCK-DRAIN	1	1	ALL	
	9	00114-52510	BOLT	4	50	ALL	
	10	00912-34510	NUT	4	50	ALL	
	11	00915-41510	WASHER-PLAIN	5	50	ALL	
	12	21503-14600	HOSE-RADIATOR TO WATER PUMP	1		SP	
	13	21503-14602	HOSE-LOWER (TO SEP-67)	1	5	SP	Y
	14	21503-14604	HOSE-LOWER (FROM OCT-67)	1	5	SP	N
	15	21503-25901	HOSE-LOWER (TO SEP-67)	1	5	SR	
	16	21503-25901	HOSE-LOWER (FROM OCT-67)	1	5	SR	N
	17	21503-14701	HOSE-RADIATOR TO WATER PUMP	1		SPL	
	18	21503-14702	HOSE-LOWER (TO SEP-67)	1	5	SPL	Y



FIG. 16 J4 NISSAN MOTOR CO., LTD.

S	KEY NO.	PART NO.	PART NAME	QTY	SALES UNIT	MODEL	ICA
	19	21503-14703	HOSE-LOWER (FROM OCT-67)	1	5 SPL SPLU		N
	20	21503-25601	HOSE-LOWER (TO SEP-67)	1	5 SRL		
	21	21503-26000	HOSE-LOWER (FROM OCT-67)	1	5 SRL SRLU		N
	22	21501-14600	HOSE-UPPER (TO SEP-67)	1	5 SP		
	23	21501-14603	HOSE-UPPER (FROM OCT-67)	1	5 SP		N
	24	21501-25503	HOSE-RADIATOR TO CYLINDER HEAD	1	5 SR		
	25	21501-14700	HOSE-UPPER (TO SEP-67)	1	5 SPL		
	26	21501-14701	HOSE-UPPER (FROM OCT-67)	1	5 SPL		N
	27	21501-14702	HOSE-UPPER (FROM OCT-67)	1	5 SPLU		N
	28	21501-25601	HOSE-RADIATOR TO CYLINDER HEAD	1	5 SRL		
	29	00721-14410	CLAMP-HOSE	4	10 ALL		
	30	21475-16300	SHROUD-RADIATOR	1	1 SF		
	31	21476-25500	SHROUD-RADIATOR, UPPER (TO SEP-67)	1	1 SR		
	32	21477-25500	SHROUD-RADIATOR, LOWER (TO SEP-67)	1	1 SR		
	33	21475-25901	SHROUD-RADIATOR (FROM OCT-67)	1	1 SR		N
	34	21475-14700	SHROUD-RADIATOR (TO SEP-67)	1	1 SPL		
	35	21475-14701	SHROUD-RADIATOR (FROM OCT-67)	1	1 SPL		N
	36	21476-25600	SHROUD-UPPER (TO SEP-67)	1	1 SRL		
	37	21477-25600	SHROUD-LOWER (TO SEP-67)	1	1 SRL		

NISSAN MOTOR CO., LTD.

FIG. 16

S	KEY NO.	PART NO.	PART NAME	QTY	SALES UNIT	MODEL	ICA
	38	21475-26000	SHROUD-LOWER (FROM OCT-67)	1	1 SRL, SRLU SPLU		N
	39	00314-41610	SCREW=MACHINE	4	50 ALL		
	40	00915-41410	WASHER=PLAIN	4	50 ALL		
	41	00915-11410	WASHER=LOCK	4	50 ALL		
	42	62507-14600	CHANNEL-UPPER & LOWER	2	1 ALL		
	43	62507-A3201	CHANNEL-UPPER & LOWER	2	1 ALL		Y
	44	21476-14601	GUIDE-AIR	1	1 ALL		
	45	21476-14602	GUIDE-AIR	1	1 ALL		N
	46	00314-41610	SCREW	2	50 ALL		
	47	00915-41410	WASHER=PLAIN	2	50 ALL		
	48	00915-11410	WASHER=LOCK	2	50 ALL		
	49	00114-41610	BOLT	2	50 ALL		
	50	00915-11410	WASHER=SPRING	2	50 ALL		
	51	00915-41410	WASHER=SPRING	4	50 ALL		
	52	00911-11410	NUT=HEX.	2	50 ALL		
	53	21510-14601	ASSY=TANK, RESERVOIR (TO SEP-67)	1	1 ALL		
	54	21510-25900	ASSY=TANK, RESERVOIR (FROM OCT-67)	1	1 ALL		N
	55	21430-16300	ASSY-CAP, PRESSURE	1	1 ALL		
	56	00311-41610	SCREW	2	50 ALL		
	57	00915-41410	WASHER=PLAIN	2	50 ALL		
	58	00915-11410	WASHER=LOCK	2	50 ALL		
	59	21515-14600	HOSE-RADIATOR TO RESERVOIR TANK	1	5 SP, SRL		
	60	21515-25300	HOSE-RADIATOR TO RESERVOIR TANK	1	5 SR		



FIG. 16 J5 NISSAN MOTOR CO., LTD.

S	KEY NO.	PART NO.	PART NAME	QTY	SALES UNIT	MODEL	ICA
	61	21515-14700	HOSE-RADIATOR TO RESER VOIR TANK	1	5	SPL SPLU	
	62	21516-16300	HOSE-BREATHER,RADIATOR	1	10	ALL	
	63	00721-11310	CLAMP-HOSE	4	10	ALL	

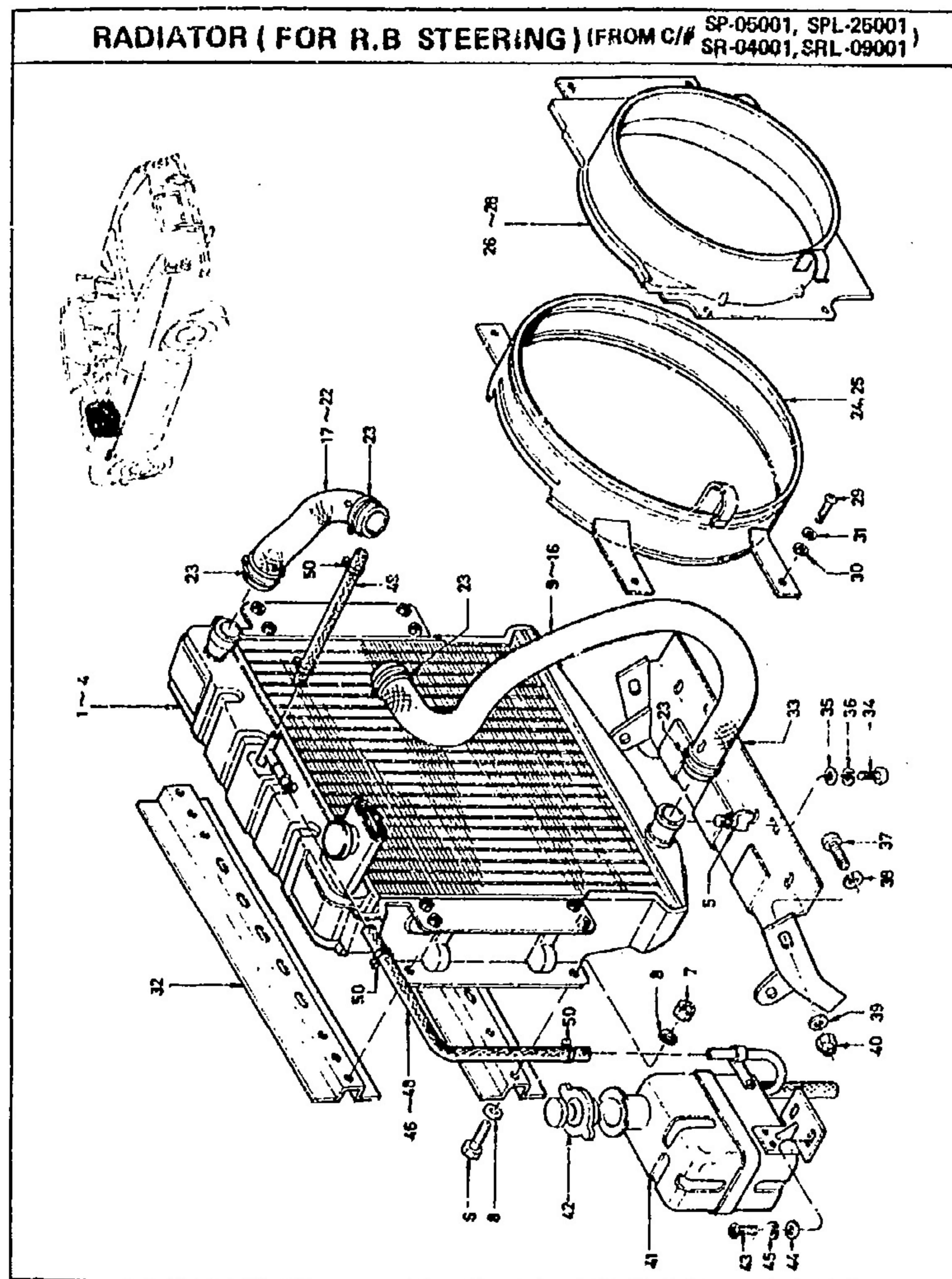
REVISED: DECEMBER, 1970

16p. - 4

Printed in Japan



FIG. 16A J6 NISSAN MOTOR CO., LTD.



NISSAN MOTOR CO., LTD.

FIG. 16A

S	KEY NO.	PART NO.	PART NAME	QTY	SALES UNIT	MODEL	ICA
			<b>RADIATOR</b>				
			(FROM C/H SP311-05001, SPL311-25001, SR311-04001, SRL311-09001)				
	1	21400-A3202	ASSY RADIATOR	1	1	1.6L R DRIVE	
	2	21400-A3200	ASSY RADIATOR	1	1	1.6L L DRIVE	
	3	21400-A3203	ASSY-RADIATOR	1	1	2L R DRIVE	
	4	21400-A3201	ASSY RADIATOR	1	1	2L L DRIVE	
	5	21211-12601	COCK-DRAIN	1	1	ALL	
	6	00114-52510	BOLT	4	50	ALL	
	7	00912-34510	NUT	4	50	ALL	
	8	00915-41510	WASHER PLAIN	5	50	ALL	
	9	21503-A3200	HOSE RADIATOR LOWER	1	5	1.6L R DRIVE	
	10	21503-A3201	HOSE RADIATOR LOWER	1	5	1.6L R DRIVE	Y
	11	21503-A3200	HOSE RADIATOR LOWER	1	5	1.6L L DRIVE	
	12	21503-A3303	HOSE RADIATOR LOWER	1	5	1.6L L DRIVE	Y
	13	21503-A3203	HOSE RADIATOR LOWER	1	5	2L R DRIVE	
	14	21503-A3204	HOSE RADIATOR LOWER	1	5	2L R DRIVE	Y
	15	21503-A3301	HOSE RADIATOR LOWER	1	5	2L L DRIVE	
	16	21503-A3302	HOSE-RADIATOR LOWER	1	5	2L L DRIVE	Y
	17	21501-A3200	HOSE RADIATOR UPPER	1	5	1.6L R DRIVE	
	18	21501-A3201	HOSE RADIATOR UPPER	1	5	1.6L R DRIVE	Y

JUNE, 1969

F16A - 1

Printed in Japan

REVISED: DECEMBER, 1970

16-A- 1

Printed in Japan



FIG. 16A J7 NISSAN MOTOR CO., LTD.

S	KEY NO.	PART NO.	PART NAME	QTY	SALES UNIT	MODEL	ICA
•	19	21501-A3300	HOSE RADIATOR UPPER	1	5	1.6L L DRIVE	
	20	21501-A3303	HOSE RADIATOR UPPER	1	5	1.6L L DRIVE	Y
	21	21501-A3204	HOSE RADIATOR UPPER	1	5	2L R DRIVE	
	22	21501-A3302	HOSE RADIATOR UPPER	1	5	2L L DRIVE	
	23	00721-14410	CLAMP-HOSE	4	10	ALL	
	24	21475-14600	SHROUD-RADIATOR	1	1	1.6L R DRIVE	
	25	21475-14701	SHROUD-RADIATOR	1	1	1.6L L DRIVE EXC USA	
	26	21475-A3301	SHROUD-RADIATOR	1	1	1.6L USA	
	27	21475-25901	SHROUD-RADIATOR	1	1	2L R DRIVE	
	28	21475-A3300	SHROUD-RADIATOR	1	1	2L L DRIVE	
	29	00314-41610	SCREW-MACHINE	4	50	ALL	
	30	00915-41410	WASHER PLAIN	4	50	ALL	
	31	00915-11410	WASHER LOCK	4	50	ALL	
	32	62507-A3201	CHANNEL UPPER & LOWER	2	1	ALL	
	33	21476-14602	GUIDE-AIR	1	1	ALL	
	34	00314-41610	SCREW-MACHINE	2	50	ALL	
	35	00915-41410	WASHER PLAIN	2	50	ALL	
	36	00915-11410	WASHER LOCK	2	50	ALL	
	37	00314-41610	BOLT	2	50	ALL	
	38	00915-11410	WASHER LOCK	2	50	ALL	
	39	00915-41410	WASHER PLAIN	4	50	ALL	
	40	00911-11410	NUT-HEX	2	50	ALL	
	41	21510-25900	ASSY TANK RESERVOIR	1	1	ALL	
	42	21430-16300	ASSY CAP RESERVOIR	1	1	ALL	

16-A-2

Printed in Japan

REVISED: DECEMBER, 1970

NISSAN MOTOR CO., LTD.

FIG. 16A

S	KEY NO.	PART NO.	PART NAME	QTY	SALES UNIT	MODEL	ICA
	43	00521-41610	SCREW	2	50	ALL	
	44	00915-41410	WASHER PLAIN	2	50	ALL	
	45	00915-11410	WASHER LOCK	2	50	ALL	
	46	21515-14600	HOSE RADIATOR TO RESER VOIR TANK	1	5	1.6L R DRIVE	
	47	21515-A3200	HOSE RADIATOR TO RESER VOIR TANK	1	5	2L R DRIVE	
	48	21515-14700	HOSE RADIATOR TO RESER VOIR TANK	1	5	L DRIVE	
	49	21516-16300	HOSE-BREATHER RADIATOR	1	10	ALL	
	50	00721-11310	CLAMP-HOSE	4	10	ALL	

16-A-3

Printed in Japan

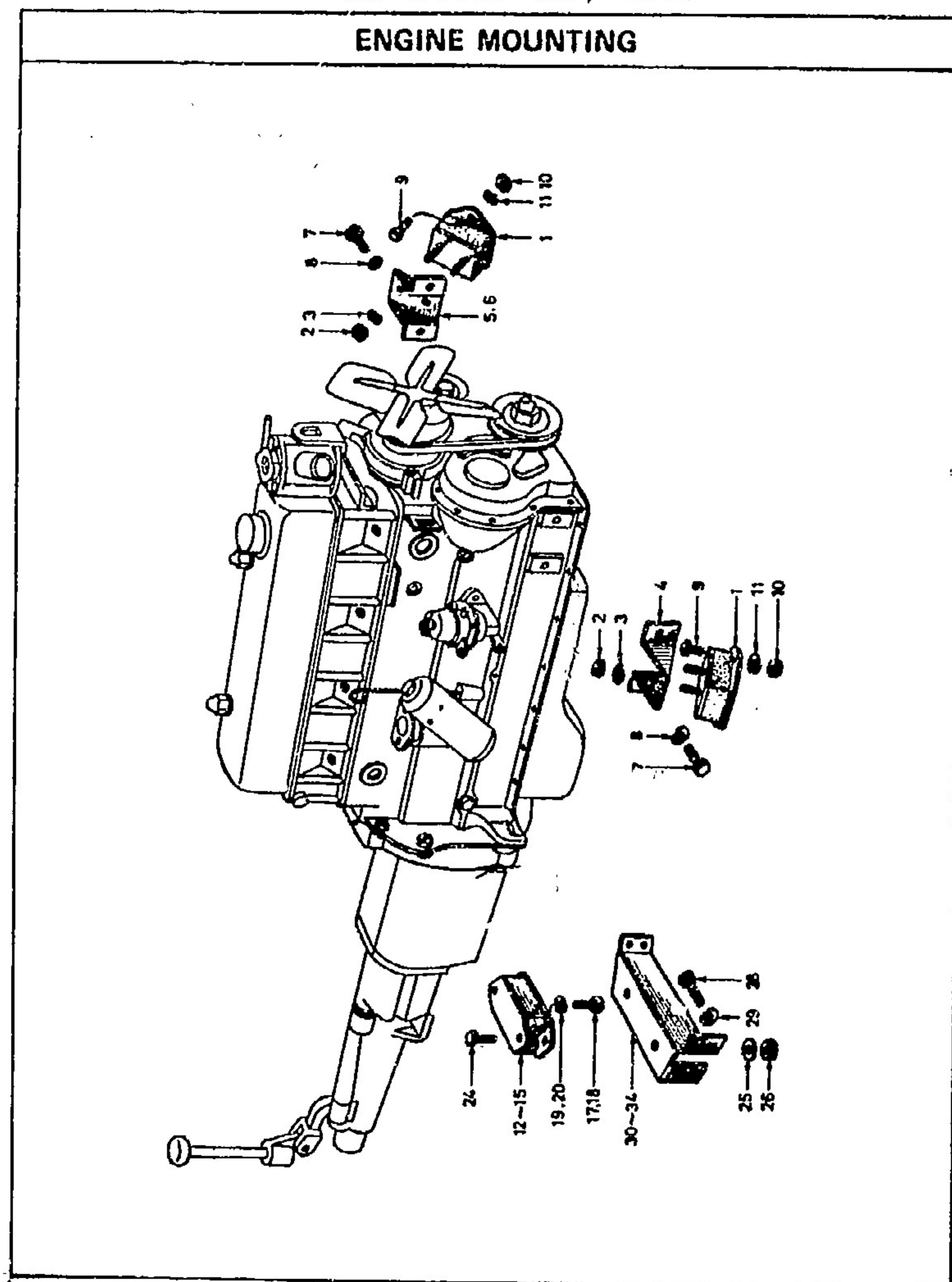
REVISED: DECEMBER, 1970



FIG. 17

J8

NISSAN MOTOR CO., LTD.



DECEMBER, 1971

F17 - 1

Printed in Japan

NISSAN MOTOR CO., LTD.

FIG. 17

KEY NO.	PART NO.	PART NAME	QTY.	SALES UNIT	MODEL	ICA
<b>ENGINE MOUNTING</b>						
1	11223-32200	MOUNTING-ENGINE FRONT	2	1	ALL	
2	00911-14510	NUT	4	50	ALL	
3	00915-11510	WASHER-LOCK	4	50	ALL	
4	11215-32200	BRACKET-SUPPORT,ENGINE FRONT(R,H.)	1	1	ALL	
5	11216-32200	BRACKET-SUPPORT,ENGINE FRONT(L,H.)	1	1	ALL	
6	11710-25602	BRACKET LH (FROM OCT-67)	1	1	USA	N
7	00114-62810	BOLT TO FIX BRACKET	4	50	ALL	
8	00915-11610	WASHER-LOCK TO FIX BRACKET	4	50	ALL	
9	00114-52010	BOLT TO FIX MOUNTING	4	50	ALL	
10	00911-14510	NUT TO FIX MOUNTING	4	50	ALL	
11	00915-11510	WASHER-LOCK TO FIX MOUNTING	4	50	ALL	
12	11328-14600	COMP.-MOUNTING,ENGINE REAR	1	1	1.6L	
13	11328-14610	MOUNTING-ENGINE REAR (FROM E/M R-40001 TO SEP-67)	1	1	1.6L	N
14	11328-14611	MOUNTING-ENGINE REAR (FROM OCT-67)	1	1	1.6L	N
15	11328-25503	COMP.-MOUNTING,ENGINE REAR	1	1	2L	
16	00111-22210	BOLT-MTG REAR	2	1	1.6L	
17	00114-52010	BOLT-MTG (TO SEP-67)	2	50	2L	
18	11335-18000	BOLT-MTG (FROM OCT-67)	2	10	2L	N

REVISED: DECEMBER, 1971

17 - 1

Printed in Japan



FIG. 17 J9 NISSAN MOTOR CO., LTD.

S	KEY NO.	PART NO.	PART NAME	QTY	SALES UNIT	MODEL	ICA
	17	00915-11510	WASHER-LOCK,HTG REAR (TO SEP-67)	2	50	2L	
	20	00915-14210	WASHER-LOCK,HTG REAR (FROM OCT-67)	2	50	2L	V
	21	00915-14010	WASHER-SPRING,T/M TO INSULATOR	2		1.6L	
	22	00911-14010	NUT-T/M TO INSULATOR	2	50	1.6L	
	23	00911-14610	NUT-INSULATOR TO CROSS MEMBER	2		2L	
	24	00114-62210	BOLT TO FIX HOUSING T O BRACKET	2	50	ALL	
	25	00915-41610	WASHER-PLAIN TO FIX HOUSING TO BRACKET	2	50	ALL	
	26	00911-14610	NUT TO FIX HOUSING TO BRACKET	2	50	ALL	
	27	00915-11610	WASHER-SPRING,INSULATOR TO CROSS MEMBER	2		ALL	
	28	00114-52010	BOLT TO FIX SUPPORT TO CROSS MEMBER	8	50	ALL	
	29	00915-21510	WASHER-LOCK TO FIX SUPPORT TO CROSS MEMBER	8	50	ALL	
	30	11312-10401	SUPPORT-ENGINE REAR	1		1.6L	
	31	11311-14611	SUPPORT-ENGINE REAR(FR O E/M R-40001)	1	5	1.6L	V
	32	11311-14612	SUPPORT-ENGINE REAR	1	1	1.6L	V
	33	11311-25901	SUPPORT-ENGINE,REAR	1	5	2L	
	34	11311-25900	SUPPORT-ENGINE REAR	1	1	2L	V

REVISED: DECEMBER, 1971



*Install the best!*  
**GENUINE DATSUN PARTS**



Engineering Department Parts Division



**NISSAN MOTOR CO., LTD.**



Tokyo, Japan