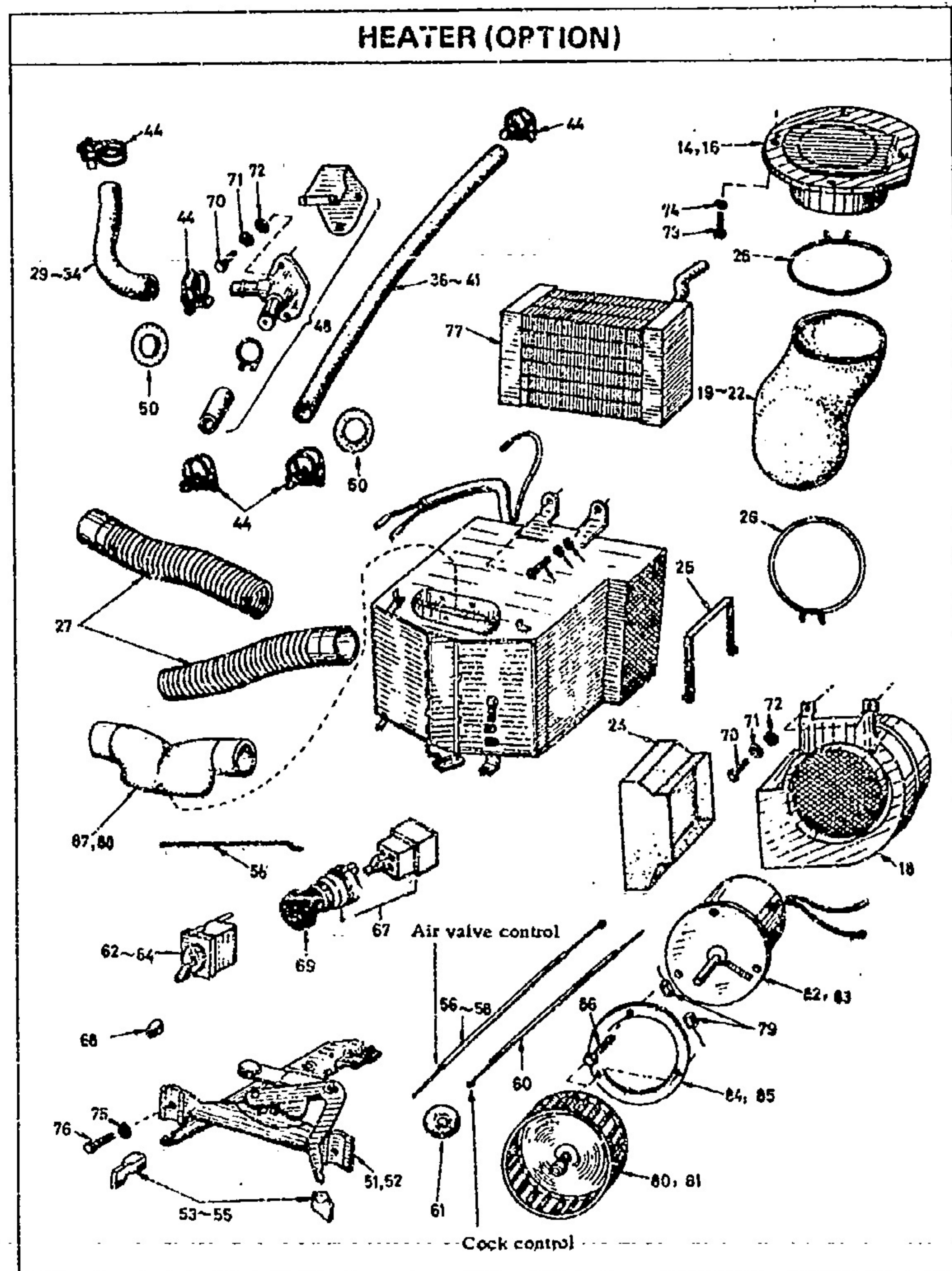


B1

ELECTRICAL



F28A-1

S KEY NO.	PART NO.	PART NAME	QTY	SALES UNIT	MODEL	ICA
HEATER (OPTION)						
1	27010-14600	KIT=HEATER, ROOM	1	1 SP		
2	27010-14601	KIT=HEATER, ROOM (TO SEP-67)	1	1 SP		Y
3	27010-14700	KIT=HEATER, ROOM	1	6PL		
4	27010-14701	KIT=HEATER, ROOM (TO SEP-67)	1	1 SPL		Y
5	27010-A3202	KIT=HEATER, ROOM (FROM OCT-67)	1	1 SP, SPL		N
6	27010-25301	KIT=HEATER ROOM FOR SU CARB (TO SEP-67)	1	SR		
7	27010-A3201	KIT=HEATER ROOM FOR SU CARB (FROM OCT-67)	1	SR		N
8	27010-25900	KIT=HEATER ROOM FOR SOLEX CARB (TO SEP-67)	1	SR		
9	27010-A3200	KIT=HEATER ROOM FOR SOLEX CARB (FROM OCT-67)	1	SR		N
10	27010-25601	KIT=HEATER ROOM FOR SU CARB (TO SEP-67)	1	1 SRL		
11	27010-A3201	KIT=HEATER ROOM FOR SU CARB (FROM OCT-67)	1	SRL		N
12	27010-25600	KIT=HEATER ROOM FOR SOLEX CARB (TO SEP-67)	1	1 SRL		
13	27010-A3200	KIT=HEATER ROOM FOR SOLEX CARB (FROM OCT-67)	1	SRL		N
14	27100-12901	VALVE=AIR INTAKE	1	1, 6L		
15	27100-14600	VALVE=AIR INTAKE	1	ALL		Y
16	27100-12901	VALVE=AIR INTAKE	1	1 ALL		Y

FIG. 28 A B3 NISSAN MOTOR CO., LTD.

S	KEY NO.	PART NO.	PART NAME	QTY	SALES UNIT	MODEL	ICA
#	17	B7010-12900	CASING	1	1	SP,SR	
	18	B7010-13000	CASING	1		SPL,SRL	
	19	27152-12901	DUCT-AIR INTAKE	1		SP	
	20	27152-14600	DUCT-AIR INTAKE	1		SP,SR	Y
*	21	27152-13001	DUCT-AIR INTAKE	1	1	SPL	
	22	27152-14700	DUCT-AIR INTAKE	1	1	SPL,SRL	Y
*	23	27151-12901	DUCT-AIR	1	1	1.6L	
	24	27151-14600	DUCT-AIR	1	1	ALL	Y
	25	27086-12901	CLIP-DUCT	1	1	ALL	
	26	27085-09400	CLIP-AIR HOSE	2	1	ALL	
	27	27161-12900	HOSE-DEFROSTER	2	1	ALL	
*	28	27063-12901	HOSE-WATER(1)	1		1.6L	
	29	27063-14600	HOSE-WATER(1)(TO SEP-67)	1	5	1.6L	Y
	30	27063-A3202	HOSE-WATER(1)(FROM OCT-67)	1	5	1.6L	N
	31	27066-25500	HOSE-WATER(1) FOR SU CARB(TO SEP-67)	1	5	2L	
	32	27063-A3201	HOSE-WATER(1) FOR SU CARB(FROM OCT-67)	1	5	2L	N
	33	27063-25900	HOSE-WATER(1) FOR SOLEX CARB (TO SEP-67)	1	5	2L	
	34	27063-A3200	HOSE-WATER(2) FOR SOLEX CARB (FROM OCT-67)	1	5	2L	N
*	35	27065-12901	HOSE-WATER(2)	1	5	1.6L	
	36	27065-14600	HOSE-WATER(2)(TO SEP-67)	1	5	1.6L	Y
	37	27065-A3202	HOSE-WATER(2)(FROM OCT-67)	1	1	1.6L	N

28-A-2

Printed in Japan

REVISED: JUNE, 1971

NISSAN MOTOR CO., LTD.

FIG. 28 A

S	KEY NO.	PART NO.	PART NAME	QTY	SALES UNIT	MODEL	ICA
	38	27067-25500	HOSE-WATER(2) FOR SU CARB(TO SEP-67)	1	1	2L	
	39	27065-A3201	HOSE-WATER(2) FOR SU CARB(FROM OCT-67)	1	1	2L	N
	40	27065-25500	HOSE-WATER(2) FOR SOLEX CARB (TO SEP-67)	1	5	2L	
	41	27065-A3200	HOSE-WATER(2) FOR SOLEX CARB (FROM OCT-67)	1	1	2L	N
	42	27075-32600	CLAMP-HOSE,WATER	5	5	1.6L	
	43	27075-14600	CLAMP-HOSE,WATER	3		ALL	Y
	44	27076-14600	CLAMP-HOSE,WATER	2		ALL	Y
	45	27050-21600	CLAMP-HOSE WATER(FROM OCT-67)	2	10	1.6L	
	46	27076-25900	CLAMP-HOSE WATER(FROM OCT-67)	2	10	1.6L	
	47	27050-21600	CLAMP-HOSE WATER(FROM OCT-67)	4	10	2L	
	48	27090-12900	COCK-CONTROL(TO SEP-67)	1	1	ALL	
	49	27090-25900	COCK-CONTROL(FROM OCT-67)	1	1	ALL	N
	50	00951-11000	GROMMET-WATER PIPE	2	10	ALL	
	51	27135-12901	CONTROL-HEATER(TO SEP-67)	1	1	ALL	
	52	27135-25900	CONTROL-HEATER(FROM OCT-67)	1	1	ALL	N
#	53	X1510-30721	KNOB HEATER CONTROL ROOM/DEFROST	1		ALL	
#	54	X1510-30722	KNOB HEATER CONTROL OUT/IN	1		ALL	
#	55	X1510-30723	KNOB HEATER CONTROL HOT/COLD	1		ALL	

28-A-3

Printed in Japan

REVISED: JUNE, 1971

FIG. 28 A B4 NISSAN MOTOR CO., LTD.

S	KEY NO.	PART NO.	PART NAME	QTY	SALES UNIT	MODEL	ICA
	55	27131-12901	CABLE=HEATER CONTROL (TO SEP-67)	1	5	ALL	
	57	27130-12901	CABLE=HEATER CONTROL (TO SEP-67)	1	5	ALL	
	58	27130-25900	CABLE=HEATER CONTROL (FROM OCT-67)	2	5	ALL	N
	59	27132-25900	CABLE=300W VALVE CONTROL	1	5	ALL	
	60	27134-12901	CABLE=COCK CONTROL	1	5	ALL	
	61	24251-36700	GROMMET	1	5	ALL	
	62	25340-12900	SWITCH=HEATER (TO E/R R=40000)	1	1	1.6L	
	63	25340-25500	SWITCH=HEATER (FROM E/R R=40000 TO SEP-67)	1	1	1.6L	N
	64	25340-25500	SWITCH=HEATER (TO SEP-67)	1	1	2L	
	65	25340-25900	SWITCH=HEATER (FROM OCT-67 TO SEP-68)	1	1	ALL	N
	66	25340-A3200	SWITCH=HEATER (FROM OCT-68)	1	1	ALL	Y
	67	25340-A7400	SWITCH=HEATER (FROM JULY-69)	1	5	ALL	Y
	68	25345-25900	KNOB=HEATER SW (FROM OCT-67 TO SEP-68)	1	5	ALL	
	69	25345-A3200	KNOB=HEATER (FROM OCT-68)	1	5	ALL	Y
	70	00114-41610	BOLT=HEXAGON	7	50	ALL	
	71	00915-11410	WASHER=SPRING	7	50	ALL	
	72	00915-41410	WASHER=PLAIN	7	50	ALL	
	73	00414-01210	SCREW=PAN, VALVE	4	50	ALL	
	74	00915-11010	WASHER=SPRING, VALVE	4	50	ALL	
	75	00911-14010	NUT=HEXAGON, LEVER	2	50	ALL	

28-A- 4

Printed in Japan

REVISED: JUNE, 1971

NISSAN MOTOR CO., LTD.

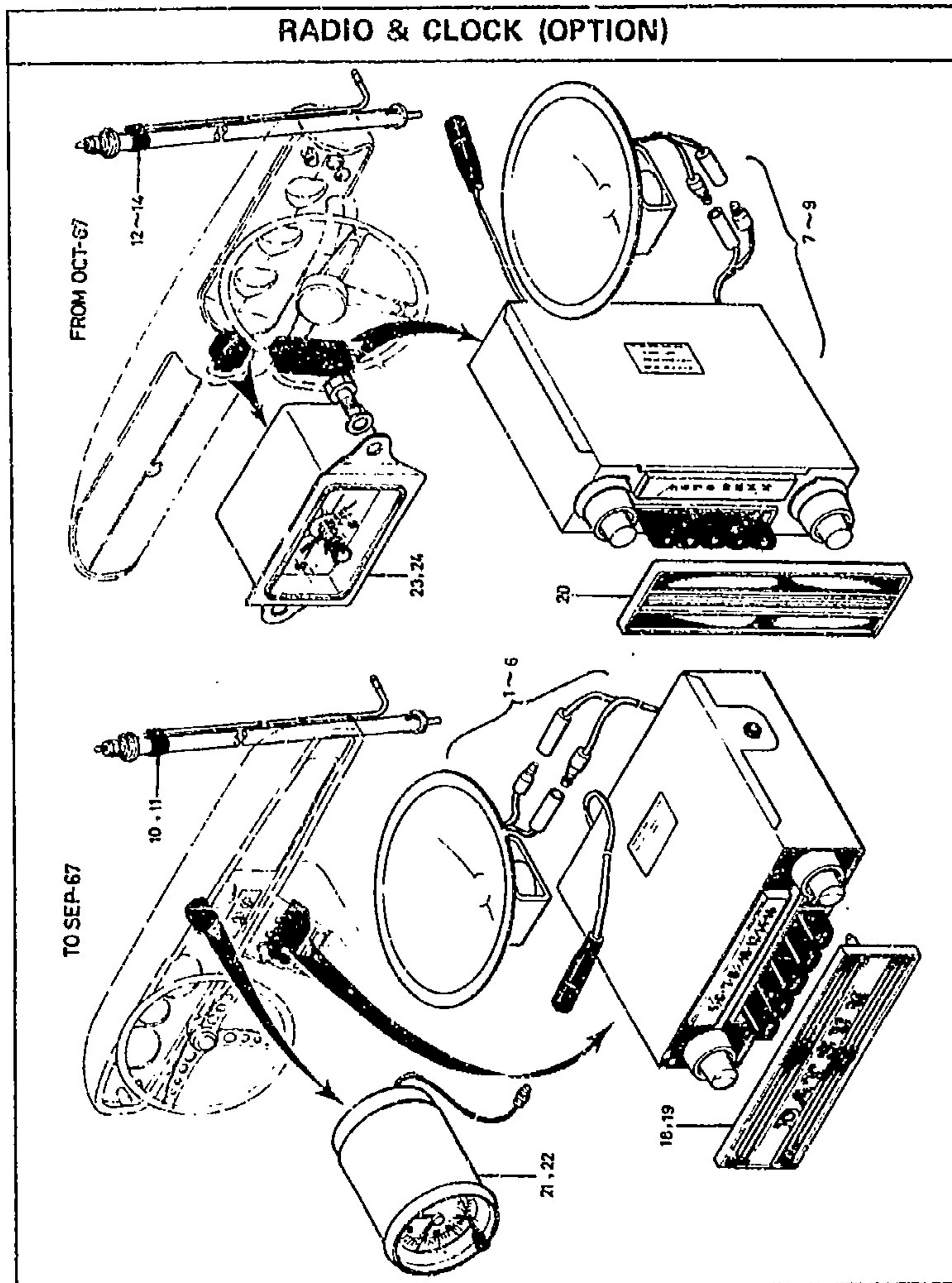
FIG. 28 A

S	KEY NO.	PART NO.	PART NAME	QTY	SALES UNIT	MODEL	ICA
	76	00369-01210	SCREW=HEXAGON, LEVER	2	50	ALL	
	77	B7010-12901	CORE=HEATER (TO SEP-68)	1	1	ALL	
	78	B7010-25901	CORE=HEATER (FROM OCT-68)	1	1	ALL	N
	79	B7010-11405	BRUSH	2	1	ALL	
	80	B7010-14401	FAN WITH NUT	1	1	SP, SR	
	81	B7010-14700	FAN WITH NUT	1	1	SPL, SRL	
	82	B7010-14600	MOTOR 12V-30W	1	1	SP, SR	
	83	B7010-14701	MOTOR 12V-30W	2	1	SPL, SRL	
	84	B7010-12904	PACKING	1	1	SP, SR	
	85	B7010-17003	PACKING	1	1	SPL, SRL	
	86	B7010-12905	BOLT	3	10	ALL	
	87	B7010-12907	HOSE=DEMISTER, DUCT (TO SEP-67)	1	1	ALL	
	88	X1510-30450	HOSE=DEMISTER, DUCT (11510-30450) (FROM OCT-67)	1		ALL	N
	89	27040-25900	NOZZLE=DEMISTER RH (FROM OCT-67)	1	1	ALL	
	90	27041-25900	NOZZLE=DEMISTER LH (FROM OCT-67)	1	1	ALL	
	91	68141-12901	KNOB=LEVER CONTROL (TO SEP-67)	2	10	1.6L	
	92	66502-25900	KNOB=LEVER, CONTROL (FROM OCT-67)	2	5	ALL	N

28-A- 3

Printed in Japan

REVISED: JUNE, 1971



KEY NO.	PART NO.	PART NAME	QTY	SALES UNIT	MODEL	ICA
RADIO & CLOCK (OPTION)						
1	27310-14600	SET-RADIO (TO E/N R=40000)	1	1 OP SP		
2	27310-14601	SET-RADIO ANTI-NOISE (TO E/N R=40000)	1	OP ALL		
3	27310-29500	SET-RADIO (FROM E/N R=40001 TO SEP-67)	1	1 OP SP SR		Y
4	27310-14700	SET-RADIO (TO E/N R=40000)	1	1 OP SPL		
5	27310-14701	SET-RADIO ANTI-NOISE (TO E/N R=40000)	1	OP SPL		
6	27310-25600	SET-RADIO (FROM E/N R=40001 TO SEP-67)	1	1 OP SPL SRL		Y
7	27310-25900	SET-RADIO (FROM OCT-67 TO SEP-68)	1	1 OP ALL		N
8	27310-A3200	SET-RADIO (FROM OCT-68)	1	1 OP ALL		Y
9	27310-A3201	SET-RADIO	1	1 OP ALL		Y
10	27314-12900	SET-ANTENNA	1	1 OP ALL		
11	27350-25300	SET-ANTENNA (FROM E/N R=40001 TO SEP-67)	1	OP ALL		Y
12	27350-25900	SET-ANTENNA (FROM OCT-67 TO SEP-68)	1	OP ALL		Y
13	27350-A3201	SET-ANTENNA (FROM OCT-68) (NOT ADOPTED)	1	OP, ALL		Y
14	27350-A3200	SET-ANTENNA (FROM OCT-68)	1	OP, ALL		Y
15	27960-89825	SET-ANTENNA	1	1 OP, ALL		Y
16	27369-89900	CONDENSER	1	5 OP ALL		

FIG. 28B B6 NISSAN MOTOR CO., LTD.

S	KEY NO.	PART NO.	PART NAME	QTY	SALES UNIT	MODEL	ICA
	17	27984-89900	CONDENSER (FROM OCT-68)	1	5	OP ALL	N
*	18	60880-10600	MASK-RADIO APERTURE (TO SEP-67)	1	1	ALL	
	19	60880-21000	MASK-RADIO APERTURE (TO SEP-67)	1	2	ALL	Y
	20	60880-25900	MASK-RADIO APERTURE (FROM OCT-67)	2	1	ALL	N
•	21	27380-14600	SET-CLOCK	1	11	1.6L	
•	22	27380-25900	SET-CLOCK (FROM E/P R-40001 TO SEP-67)	1	1	ALL	Y
•	23	27390-25900	SET-CLOCK (FROM OCT-67 TO SEP-68)	1	1	ALL	N
	24	27390-A3200	SET-CLOCK (FROM OCT-68)	1	1	ALL	Y

Install the best!
GENUINE DATSUN PARTS



Engineering Department Parts Division



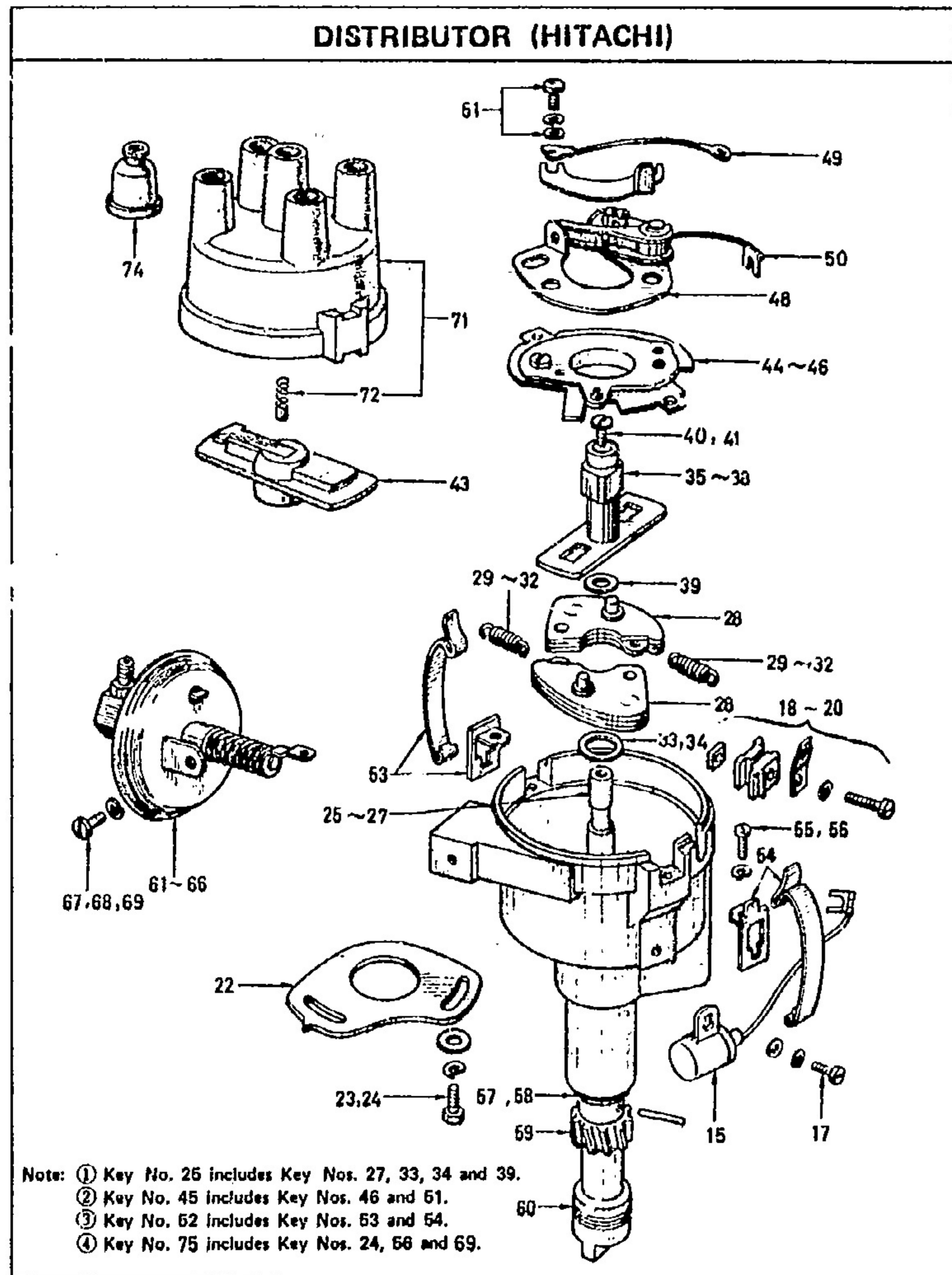
NISSAN MOTOR CO., LTD.



Tokyo, Japan

K1

ELECTRICAL



S	KEY NO.	PART NO.	PART NAME	QTY	SALES UNIT	MODEL	ICA
			DISTRIBUTOR (HITACHI)				
•	1	22100-14600	ASSY-DISTRIBUTOR(HITACHI)	1	1	1.6L	
•	2	22100-14605	ASSY-DISTRIBUTOR (HITACHI)(ISO)	1	1	1.6L EXC SPLU	Y
•	3	22100-14606	ASSY-DISTRIBUTOR(HITACHI)(ISO)(NOT ADOPTED)	1	1	1.6L EXC SPLU	Y
•	4	22100-14700	DISTRIBUTOR (FROM OCT-67)	1	1	SPLU	
•	5	22100-14705	DISTRIBUTOR(D417-57K)(ISO)(FROM E/N H-84032)	1	1	SPLU	Y
•	6	22100-A7700	DISTRIBUTOR (FROM JULY-69)	1	1	1.6L EMISSION CONTROL	N
•	7	22100-A7701	DISTRIBUTOR (FROM JULY-69)	1	1	1.6L EMISSION CONTROL	Y
•	8	22100-25500	ASSY-DISTRIBUTOR(HITACHI)	1		2L	
•	9	22100-25505	ASSY-DISTRIBUTOR(HITACHI)(ISO)(FROM E/N U20-11477)	1	1	2L EXC SRLU	Y
•	10	22100-25506	ASSY-DISTRIBUTOR(HITACHI)(ISO)(FROM E/N U20-13464)	1	1	2L EXC SRLU	Y
•	11	22100-25600	DISTRIBUTOR (FROM OCT-67)	1	1	SRLU	
•	12	22100-25605	DISTRIBUTOR (ISO)	1	1	SRLU	Y
•	13	22100-25606	DISTRIBUTOR (ISO)	1		SRLU	Y
•	14	22102-00800	ASSY-CONDENSER	1		ALL	
•	15	22102-00801	ASSY-CONDENSER	1	10	ALL	Y

FIG. 18 K3 NISSAN MOTOR CO., LTD.

S	KEY NO.	PART NO.	PART NAME	QTY	SALES UNIT	MODEL	ICA
•	16	22132-05060	SCREW	1		ALL	
	17	22132-05060	SCREW	1	10	ALL	Y
	18	22403-14600	ASSY-TERMINAL	1	5	ALL EXC SP LU & SRLU	
	19	22403-13201	ASSY-TERMINAL	1	5	SPLU SRLU	
	20	22403-18005	ASSY-TERMINAL (FROM JULY-69)	1	10	EMISSION CONTROL	N
•	21	22180-14600	PLATE-FIXING	1	5	ALL	
	22	22180-58100	PLATE-FIXING	1	5	ALL	Y
	23	22201-71300	BOLT-5	1	10	ALL	
	24	22201-18005	BOLT-5 (ISO)	1	10	ALL	N
	25	22108-A7700	ASSY-SHAFT (INC, PIN KNOCK)	1	1	ALL	
	26	22108-14600	ASSY-SHAFT	1	1	ALL	
	27	22108-14605	ASSY-SHAFT (ISO)	1	1	ALL	N
	28	22109-71300	ASSY-WEIGHT, GOVERNOR	2	5	ALL	
	29	22110-14600	SET-SPRING, GOVERNOR	1	10	ALL EXC SP LU & SRLU	
	30	22110-29600	SET-SPRING, GOVERNOR	1	10	SPLU	
	31	22110-A7700	SET-SPRING, GOVERNOR (FROM JULY-69)	1	10	1, 6L EMISSION CONTROL	
	32	22110-29600	SET-SPRING, GOVERNOR	1	10	2L EMISSION CONTROL	
	33	22117-05060	WASHER-THRUST	2	10	ALL	
	34	22118-05060	WASHER-THRUST	1	50	ALL	
	35	22132-14600	SET-CAM	1	2	ALL EXC SP LU & SRLU	
	36	22132-14605	SET-CAM (ISO)	1	1	ALL EXC SP LU & SRLU	N

REVISED, DECEMBER, 1971

18- - 2

Printed in Japan

NISSAN MOTOR CO., LTD.

FIG. 18

S	KEY NO.	PART NO.	PART NAME	QTY	SALES UNIT	MODEL	ICA
	37	22132-25600	SET-CAM (TO JULY-69)	1	2	SPLU SRLU	
	38	22132-25605	SET-CAM (FROM JULY-69)	1	1	EMISSION CONTROL	
	39	22117-32200	WASHER-THRUST	1	50	ALL	
	40	22103-50000	SCREW-4	1	50	ALL	
	41	22139-18005	SCREW-4 (ISO)	1	10	ALL	N
•	42	22157-71300	ASSY-HEAD, ROTOR	1	10	ALL	
	43	22157-70500	ASSY-HEAD, ROTOR	1	10	ALL	Y
	44	22136-71300	ASSY-BRAKER	1	2	ALL	
	45	22136-H2300	PLATE-ASSY BRAKER	1	1	ALL	
	46	22136-18005	ASSY-BRAKER (FROM JULY -69) (ISO)	1	1	ALL	N
•	47	22145-71301	SET-CONTACT	1	1	ALL	
	48	22145-18005	SET-CONTACT	1	10	ALL	Y
	49	22183-71300	ASSY-WIRE, LEAD	1	10	ALL	
	50	22182-71300	ASSY-WIRE, EARTH	1	50	ALL	
	51	22149-18005	SCREW-POINT SET	2	10	ALL	
	52	22167-H2300	SET-CLAMP CAP	1	10	ALL	
	53	22167-71300	ASSY-CLAMP, CAP(1)	1	10	ALL	
	54	22168-71300	ASSY-CLAMP, CAP(2)	1	10	ALL	
	55	22103-50000	SCREW-40	2	50	ALL	
	56	22103-18005	SCREW-40 (ISO)	2	10	ALL	N
	57	22148-14600	WASHER-THRUST (T=0,15)	2	10	ALL	
	58	22118-43800	WASHER-THRUST (T=0,8)	1	5	ALL	
	59	22946-14600	ASSY-PINION	1	1	ALL	
	60	22119-18400	ASSY-COUPLING	1	1	ALL	

REVISED, DECEMBER, 1971

18- - 3

Printed in Japan

FIG. 18 K4 NISSAN MOTOR CO., LTD.

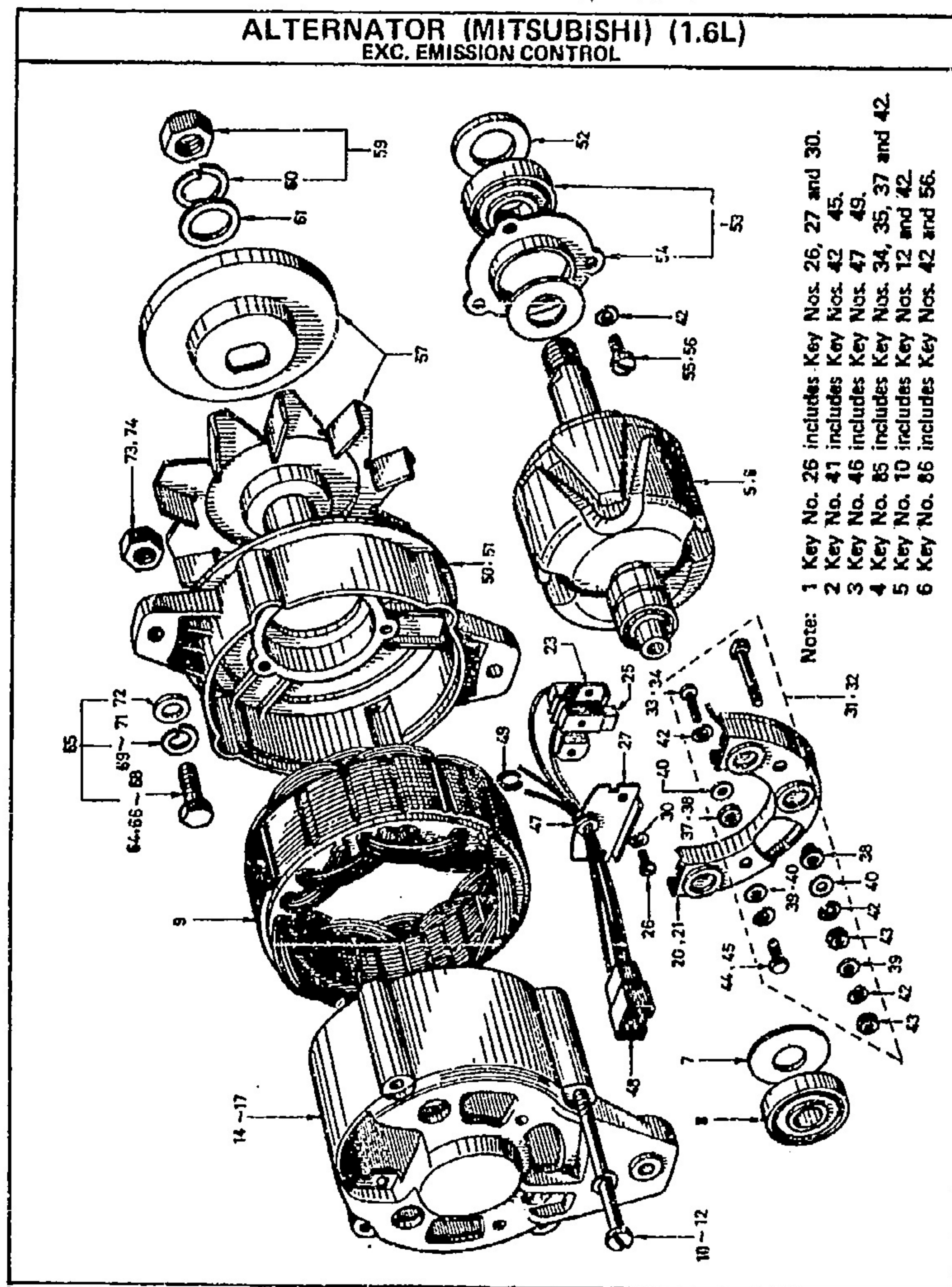
S	KEY NO.	PART NO.	PART NAME	QTY	SALES UNIT	MODEL	ICA
	61	22301-14600	CONTROL-VACUUM	1	1	1.6L EXC SPLU	
	62	22301-17700	CONTROL-VACUUM	1	1	SPLU	
•	63	22301-25500	CONTROL-VACUUM	1	1	2L EXC SRLU	
	64	22301-22006	CONTROL-VACUUM	1	1	2L EXC SRLU	Y
•	65	22301-25600	CONTROL-VACUUM	1	1	SRLU	
	66	22301-13502	CONTROL-VACUUM	1	1	SRLU	Y
•	67	22139-05060	SCREW 4 MM	2	10	ALL	
	68	22139-12211	SCREW 4X5	2		ALL	Y
	69	22139-18005	SCREW 4 MM (ISO)	2	10	ALL	N
•	70	22162-71300	ASSY-CAP, DISTRIBUTOR	1	1	ALL	
	71	22162-21007	ASSY-CAP, DISTRIBUTOR	1	1	ALL	Y
	72	22165-50101	ASSY-POINT, CARBON	1	10	ALL	
	73	22171-00800	CAP-GUM	5	10	ALL	
	74	22248-16502	JUST SEAL	1	10	ALL	
	75	22750-12300	SET-SCREW	1	5	ALL	

FIG. 19 K5

NISSAN MOTOR CO., LTD.

NISSAN MOTOR CO., LTD.

FIG. 19



KEY NO.	PART NO.	PART NAME	QTY	SALES UNIT	MODEL	ICA
ALTERNATOR (MITSUBISHI) (1.6L) EXC. EMISSION CONTROL						
1	23100-14600	ASSY-ALTERNATOR(MITSUBISHI 12V-300W)	1		1.6L	
2	23100-14601	ASSY-ALTERNATOR(MITSUBISHI 12V-300W)(AC300/1 2 X 1R)	1		1.6L	Y
3	23100-14602	ASSY-ALTERNATOR(MITSUBISHI 12V-300W)(AC300/1 2 X 2R)(FROM E/R R-2214)	1		1.6L	Y
4	23100-14615	ASSY-ALTERNATOR(MITSUBISHI 12V-300W) (ISO)	1		1.6L	EXC Y EMISSION CONTROL
5	23100-14610	ASSY-ROTOR (TO E/R R-2213)	1		1.6L	
6	23100-16512	ASSY-ROTOR (FROM E/R R-2214)	1		1.6L	EXC N EMISSION CONTROL
7	23116-14610	WASHER-SEAL	1	10	1.6L	EXC EMISSION CONTROL
8	23120-14610	BEARING-BALL	1	1	1.6L	EXC EMISSION CONTROL
9	23102-14610	ASSY-STATOR	1	1	1.6L	EXC EMISSION CONTROL
10	23131-14616	BOLT SET THROUGH	1	1	1.6L	EXC EMISSION CONTROL
11	23131-14610	BOLT-THROUGH	4	10	1.6L	
12	23131-14615	BOLT-THROUGH (ISO)	4	10	1.6L	EXC N EMISSION CONTROL

JUNE, 1972

F19 - 1

Printed in Japan

REVISED: JUNE, 1972

19 - 1

Printed in Japan

FIG. 19 K6 NISSAN MOTOR CO., LTD.

S	KEY NO.	PART NO.	PART NAME	QTY	SALES UNIT	MODEL	ICA
	13	23127-14610	ASSY-COVER, REAR	1		1.6L	
	14	23127-14611	ASSY-COVER, REAR (TO E/ R-2213)	1	1	1.6L	Y
	15	23127-14612	ASSY-COVER, REAR (FROM E /# R-2214)	1	1	1.6L	N
	16	23127-14610	ASSY-COVER REAR (ISO)	1		1.6L EXC EMISSION CONTROL	N
	17	23127-14611	ASSY-COVER REAR (ISO)	1	1	1.6L EXC EMISSION CONTROL	Y
	18	23127-14616	BRACKET & ASSY REAR	1	1	1.6L EXC EMISSION CONTROL	
	19	23230-14610	ASSY-DIODE, SET	1		1.6L	
	20	23230-14611	ASSY-DIODE, SET (FROM E /# R-2214)	1	1	1.6L EXC EMISSION CONTROL	Y
	21	23231-61210	DIODE MINUS	3	10	1.6L	
	22	23232-61210	DIODE PLUS	3	10	1.6L	
	23	23133-14610	ASSY-HOLDER, BRUSH	1	1	1.6L EXC EMISSION CONTROL	
	24	23138-18010	SPRING BRUSH	2	10	1.6L EXC EMISSION CONTROL	
	25	23135-14610	ASSY-BRUSH	2	10	1.6L EXC EMISSION CONTROL	
	26	23107-14615	SCREW ASSY	1	1	1.6L EXC EMISSION CONTROL	
	27	23107-14610	COVER, BRUSH	1	1	1.6L EXC EMISSION CONTROL	
	28	23352-09610	SCREW 4 X 10	2	10	1.6L	

19- - 2

Printed in Japan

REVISED: JUNE, 1972

NISSAN MOTOR CO., LTD.

FIG. 19

S	KEY NO.	PART NO.	PART NAME	QTY	SALES UNIT	MODEL	ICA
	29	23132-16715	SCREW 4 X 10 (ISO)	2	10	1.6L EXC EMISSION CONTROL	N
	30	22156-01302	WASHER-SPRING	2	10	1.6L EXC EMISSION CONTROL	
	31	23156-14610	ASSY-TERMINAL	1	1	1.6L	
	32	23156-14615	ASSY-TERMINAL (ISO) A	1	10	1.6L EXC EMISSION CONTROL	N
	33	23158-14610	SCREW	1	10	1.6L	
	34	23158-16716	SCREW 5 X 16 (ISO)	1	10	1.6L EXC EMISSION CONTROL	N
	35	23160-14610	WASHER-INSULATOR	1	10	1.6L EXC EMISSION CONTROL	
	36	23161-14610	INSULATOR	1	10	1.6L	
	37	23161-14611	INSULATOR	1	10	1.6L EXC EMISSION CONTROL	Y
	38	23157-14610	INSULATOR	1	10	1.6L EXC EMISSION CONTROL	
	39	22213-71311	WASHER	1	10	1.6L	
	40	22213-18010	WASHER (ISO)	3	10	1.6L EXC EMISSION CONTROL	N
	41	23158-21015	TERMINAL ASSY E	1	10	1.6L EXC EMISSION CONTROL	
	42	22203-32210	WASHER-SPRING	5	50	1.6L EXC EMISSION CONTROL	
	43	23189-16715	NUT (ISO)	2	10	1.6L EXC EMISSION CONTROL	N

19- - 3

Printed in Japan

REVISED: JUNE, 1972

FIG. 19 K7 NISSAN MOTOR CO., LTD.

S	KEY NO.	PART NO.	PART NAME	QTY	SALES UNIT	MODEL	ICA
	44	23139-12210	BOLT-TERMINAL(E)	1	10	1.6L	
	45	23139-16715	BOLT-TERMINAL(E) 5 X 8 (ISO)	1	10	1.6L EXC EMISSION CONTROL	N
	46	23136-14611	CONNECTOR G ASSY	1	1	1.6L EXC EMISSION CONTROL	
	47	23139-14610	GROMMET	1	10	1.6L	
	48	23136-14610	ASSY-WIRE LEAD	1	5	1.6L EXC EMISSION CONTROL	
	49	23233-14610	CLIP	1	10	1.6L	
	50	23118-14610	ASSY-COVER,FRONT	1	1	1.6L	
	51	23118-14615	ASSY-COVER,FRONT (160)	1	1	1.6L EXC EMISSION CONTROL	N
	52	23121-14610	WASHER-SEAL	1	10	1.6L EXC EMISSION CONTROL	
	53	23120-14611	BEARING-BALL	1	1	1.6L EXC EMISSION CONTROL	
	54	23123-14610	RETAINER-BEARING	1	5	1.6L EXC EMISSION CONTROL	
	55	23352-12210	SCREW	3	10	1.6L	
	56	23158-16715	SCREW (ISO)	3	10	1.6L EXC EMISSION CONTROL	N
	57	23151-14610	ASSY-PULLEY	1	1	1.6L EXC EMISSION CONTROL	
	58	23152-12210	WASHER-SPRING	1	10	1.6L	
	59	23153-14610	NUT ASSY,PULLEY	1	1	1.6L EXC EMISSION CONTROL	

19 - 4

Printed in Japan

REVISED: JUNE, 1972

NISSAN MOTOR CO., LTD.

FIG. 19

S	KEY NO.	PART NO.	PART NAME	QTY	SALES UNIT	MODEL	ICA
	60	23152-35010	WASHER-SPRING (ISO)	1	10	1.6L EXC EMISSION CONTROL	
	61	23162-12210	WASHER-PLAIN	1	10	1.6L	
	62	23153-35010	NUT	1	10	1.6L EXC EMISSION CONTROL	
	63	23153-21010	NUT	1		1.6L EXC EMISSION CONTROL	Y
	64	23139-12900	BOLT-ALTERNATOR TO BRACKET FIX(TO E/# R-40000)	1	10	1.6L	
	65	23164-21610	BOLT ASSY SETTING	1	10	1.6L EXC EMISSION CONTROL	
	66	23139-18810	BOLT(FROM E/#R-40001)ALTERNATOR TO BRACKET FIX	1	10	1.6L	N
	67	23164-12210	BOLT 6 X 25	1	10	1.6L	N
	68	23164-21610	BOLT	1	10	1.6L	Y
	69	00915-11510	WASHER-LOCK ALTERNATOR TO BRACKET FIX(TO E/# R-40000)	1	50	1.6L	
	70	00915-13810	WASHER-SPRING(FROM E/# R-40001)ALTERNATOR TO BRACKET FIX	1	50	1.6L	N
	71	23109-35010	WASHER-SPRING	1	10	1.6L	N
	72	23160-16710	WASHER-PLAIN	1	10	1.6L	
	73	00911-24510	NUT-ALTERNATOR TO BRACKET FIX(TO E/#R-40000)	1	50	1.6L	
	74	00911-20810	NUT(FROM E/# R-40001)	1	50	1.6L	N
	75	00915-43810	WASHER-PLAIN(FROM E/# R-40001)	1	50	1.6L	

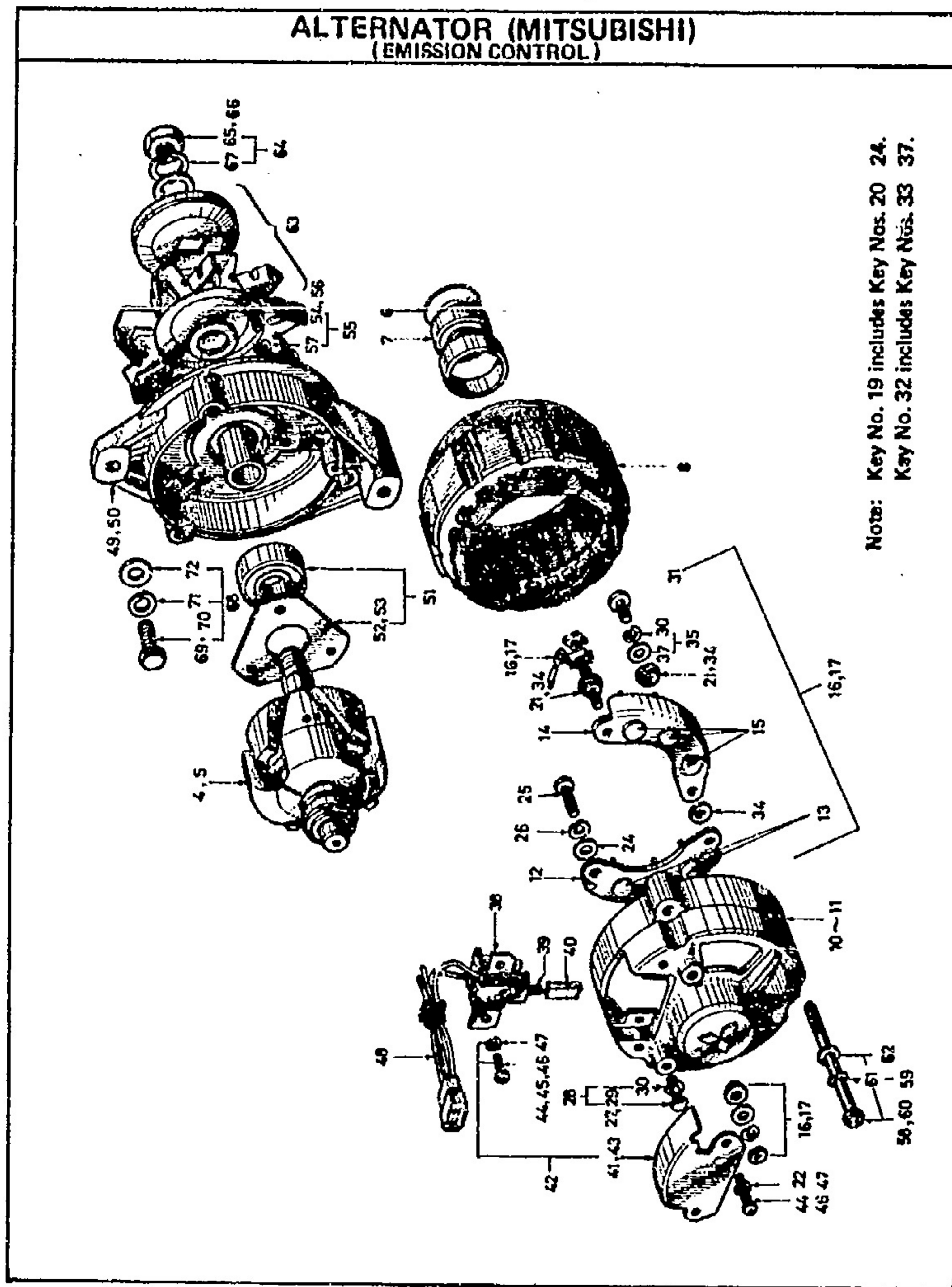
19 - 5

Printed in Japan

REVISED: JUNE, 1972

FIG. 19 K8 NISSAN MOTOR CO., LTD.

S	KEY NO.	PART NO.	PART NAME	QTY	SALES UNIT	MODEL	ICA
	76	00134-62510	BOLT-BRACKET TO CYLINDER BLOCK(TO E/R-40000)	3	50	1.6L	
	77	00131-02510	BOLT-BRACKET TO CYLINDER BLOCK(FROM E/R-40001)	3	50	1.6L	N
	78	00915-21610	WASHER-SPRING(TO E/R-40000)	3	50	1.6L	
	79	00915-24010	WASHER-SPRING(FROM E/R-40001)	3	50	1.6L	N
	80	00911-24610	NUT-ADJUST BAR TO CYLINDER HEAD(TO E/R-40000)	1	50	1.6L	
	81	00911-24010	NUT-ADJUST BAR TO CYLINDER HEAD(FROM E/R-40001)	1	50	1.6L	N
	82	21107-E4200	NUT-ADJUST BAR TO CYLINDER HEAD(FROM E/R-40001)	1	10	1.6L	Y
	83	00915-11610	WASHER-SPRING, ADJUST BAR TO HEAD(TO E/R-40000)	1	50	1.6L	
	84	00915-14010	WASHER-SPRING, ADJUST BAR TO HEAD(FROM E/R-40001)	1	50	1.6L	N
	85	23150-14611	SCREW ASSY AE	1	10	1.6L EXC EMISSION CONTROL	
	86	23115-66615	SCREW ASSY SETTING	1	10	1.6L EXC EMISSION CONTROL	



JUNE, 1972

F19A - 1

Printed in Japan

S	KEY NO.	PART NO.	PART NAME	QTY	SALES UNIT	MODEL	ICA
			ALTERNATOR (MITSUBISHI) (EMISSION CONTROL)				
	1	23100-20110	ASSY-ALTERNATOR(MITSUBISHI)(12V-300W)	1		2L	
	2	23100-20111	ASSY-ALTERNATOR(MITSUBISHI)(12V-300W)	1		2L	Y
	3	23100-20115	ASSY-ALTERNATOR(MITSUBISHI)(12V-300W)(150)	1		1.6L EMISSION CONTROL & 2L	Y
	4	23108-16710	ASSY-ROTOR	1		1.6L EMISSION CONTROL & 2L	
	5	23108-20110	ROTOR	1		1.6L EMISSION CONTROL & 2L	
	6	23116-14610	WASHER-SEAL	1	10	1.6L EMISSION CONTROL & 2L	
	7	23120-14610	BEARING-BALL	1		1.6L EMISSION CONTROL & 2L	
	8	23102-16710	ASSY-STATOR	1		1.6L EMISSION CONTROL & 2L	
	9	23127-2011	BRACKET & ASSY REAR	1		1.6L EMISSION CONTROL & 2L	
	10	23127-20110	ASSY-COVER REAR	1		2L	

REVISED: JUNE, 1972

19-A- 1

Printed in Japan

FIG. 19A K10 NISSAN MOTOR CO., LTD.

S	KEY NO.	PART NO.	PART NAME	QTY	SALES UNIT	MODEL	ICA
	11	23127-20115	ASSY-COVER REAR (ISO)	1	1	1.6L EMISSION CONTROL & 2L	N
	12	23230-18010	DIODE SET (-)	1	1	1.6L EMISSION CONTROL & 2L	
	13	23231-61210	DIODE MINUS	3	10	2L	
	14	23230-16710	DIODE SET (+)	1	1	1.6L EMISSION CONTROL & 2L	
	15	23232-61210	DIODE PLUS	3	10	2L	
	16	23156-20110	ASSY-TERMINAL A	1	1	2L	
	17	23156-20115	ASSY-TERMINAL A (ISO)	1	1	1.6L EMISSION CONTROL & 2L	N
	18	23162-20110	PLATE-TERMINAL	1	10	1.6L EMISSION CONTROL & 2L	
	19	23156-20116	TERMINAL ASSY A	1	1	1.6L EMISSION CONTROL & 2L	
	20	23148-16715	BOLT 5 X 36	1	10	1.6L EMISSION CONTROL & 2L	
	21	23161-18010	INSULATOR	2	10	1.6L EMISSION CONTROL & 2L	
	22	22203-32210	WASHER-SPRING	2	50	1.6L EMISSION CONTROL & 2L	

REVISED: JUNE, 1972

19-A- 2

Printed in Japan

NISSAN MOTOR CO., LTD.

FIG. 19A

S	KEY NO.	PART NO.	PART NAME	QTY	SALES UNIT	MODEL	ICA
	23	23189-16715	NUT	2	10	1.6L EMISSION CONTROL & 2L	
	24	22213-18010	WASHER	3	10	1.6L EMISSION CONTROL & 2L	
	25	23158-18010	SCREW-5X12	1	10	1.6L EMISSION CONTROL & 2L	
	26	22203-32210	WASHER-SPRING	1	50	1.6L EMISSION CONTROL & 2L	
	27	23139-12210	BOLT-TERMINAL E 5X8	1	10	2L	
	28	23158-21015	TERMINAL ASSY E	1	10	1.6L EMISSION CONTROL & 2L	
	29	23139-16715	BOLT-TERMINAL E 5X8 (ISO)	1	10	1.6L EMISSION CONTROL & 2L	N
	30	22203-32210	WASHER-SPRING	1	50	1.6L EMISSION CONTROL & 2L	
	31	23158-18011	SCREW 5X20	1	10	2L	
	32	23147-16716	SCREW ASSY AE	1	1	1.6L EMISSION CONTROL & 2L	
	33	23147-16715	SCREW 5X20 (ISO)	1	10	1.6L EMISSION CONTROL & 2L	N

REVISED: JUNE, 1972

19-A- 3

Printed in Japan

FIG. 19A K11 NISSAN MOTOR CO., LTD.

S	KEY NO.	PART NO.	PART NAME	QTY	SALES UNIT	MODEL	ICA
	34	23161-18010	INSULATOR	1	10	1.6L EMISSION CONTROL & 2L	
	35	23186-H0111	ASSY-SCREW AE	1	10	1.6L EMISSION CONTROL & 2L	
	36	22203-32210	WASHER-SPRING	1	50	1.6L EMISSION CONTROL & 2L	
	37	22213-18010	WASHER	1	10	1.6L EMISSION CONTROL & 2L	
	38	23133-20110	ASSY-HOLDER BRUSH	1	2	1.6L EMISSION CONTROL & 2L	
	39	23138-18010	SPRING-BRUSH	2	10	1.6L EMISSION CONTROL & 2L	
	40	23135-14610	BRUSH	2	10	1.6L EMISSION CONTROL & 2L	
	41	23107-20110	COVER-BRUSH	1	5	2L	
	42	23107-20111	COVER SET	1		1.6L EMISSION CONTROL & 2L	
	43	23107-20115	COVER-BRUSH(ISO)	1	1	1.6L EMISSION CONTROL & 2L	N
	44	23139-85060	SCREW 4X6	4	10	2L	
	45	23139-12211	SCREW 4X6	4	10	2L	Y

19-A-4

Printed in Japan

REVISED: JUNE, 1972

NISSAN MOTOR CO., LTD.

FIG. 19A

S	KEY NO.	PART NO.	PART NAME	QTY	SALES UNIT	MODEL	ICA
	46	22104-14615	SCREW 4X6(ISO)	4	50	1.6L EMISSION CONTROL & 2L	N
	47	22156-01302	WASHER-SPRING	4	10	1.6L EMISSION CONTROL & 2L	
	48	23136-20110	ASSY-WIRE LEAD	1	1	1.6L EMISSION CONTROL & 2L	
	49	23118-18010	ASSY-COVER FRONT	1	1	2L	
	50	23118-16715	ASSY-COVER FRONT(ISO)	1	1	1.6L EMISSION CONTROL & 2L	N
	51	23120-14611	BEARING	1	1	1.6L EMISSION CONTROL & 2L	
	52	23123-18010	RETAINER-BEARING	1	5	2L	
	53	23123-16715	RETAINER-BEARING(ISO)	1	10	1.6L EMISSION CONTROL & 2L	N
	54	23158-14610	SCREW-5X16	3	10	2L	
	55	23115-21015	SCREW-ASSY WRB	3	10	1.6L EMISSION CONTROL & 2L	
	56	23158-16716	SCREW-5X16(ISO)	3	10	1.6L EMISSION CONTROL & 2L	N
	57	22203-32210	WASHER-SPRING	3	50	1.6L EMISSION CONTROL & 2L	

19-A-5

Printed in Japan

REVISED: JUNE, 1972

FIG. 19A K12 NISSAN MOTOR CO., LTD.

S	KEY NO.	PART NO.	PART NAME	QTY	SALES UNIT	MODEL	ICA
	5R	23131-16710	SCREW-5X76	3	2L		
	50	23131-16716	ROLY SET THROUGH	3	1.6L EMISSION CONTROL & 2L		
	60	23131-16715	SCREW-5X76(ISO)	3	10 1.6L EMISSION CONTROL & 2L		N
	61	22203-32210	WASHER-SPRING	3	50 1.6L EMISSION CONTROL & 2L		
	62	22213-18010	WASHER	3	10 1.6L EMISSION CONTROL & 2L		
	63	23150-20110	ASSY-PULLEY	1	1 1.6L EMISSION CONTROL & 2L		
	64	23153-21010	NUT ASSY	1	1 1.6L EMISSION CONTROL & 2L		
	65	23153-35010	NUT	1	10 1.6L EMISSION CONTROL & 2L		
	66	23153-21010	NUT	1	1.6L EMISSION CONTROL & 2L		Y
	67	23152-12210	WASHER-SPRING	1	10 1.6L EMISSION CONTROL & 2L		
	6R	23164-21610	ROLY ASSY, SETTING	1	10 1.6L EMISSION CONTROL & 2L		

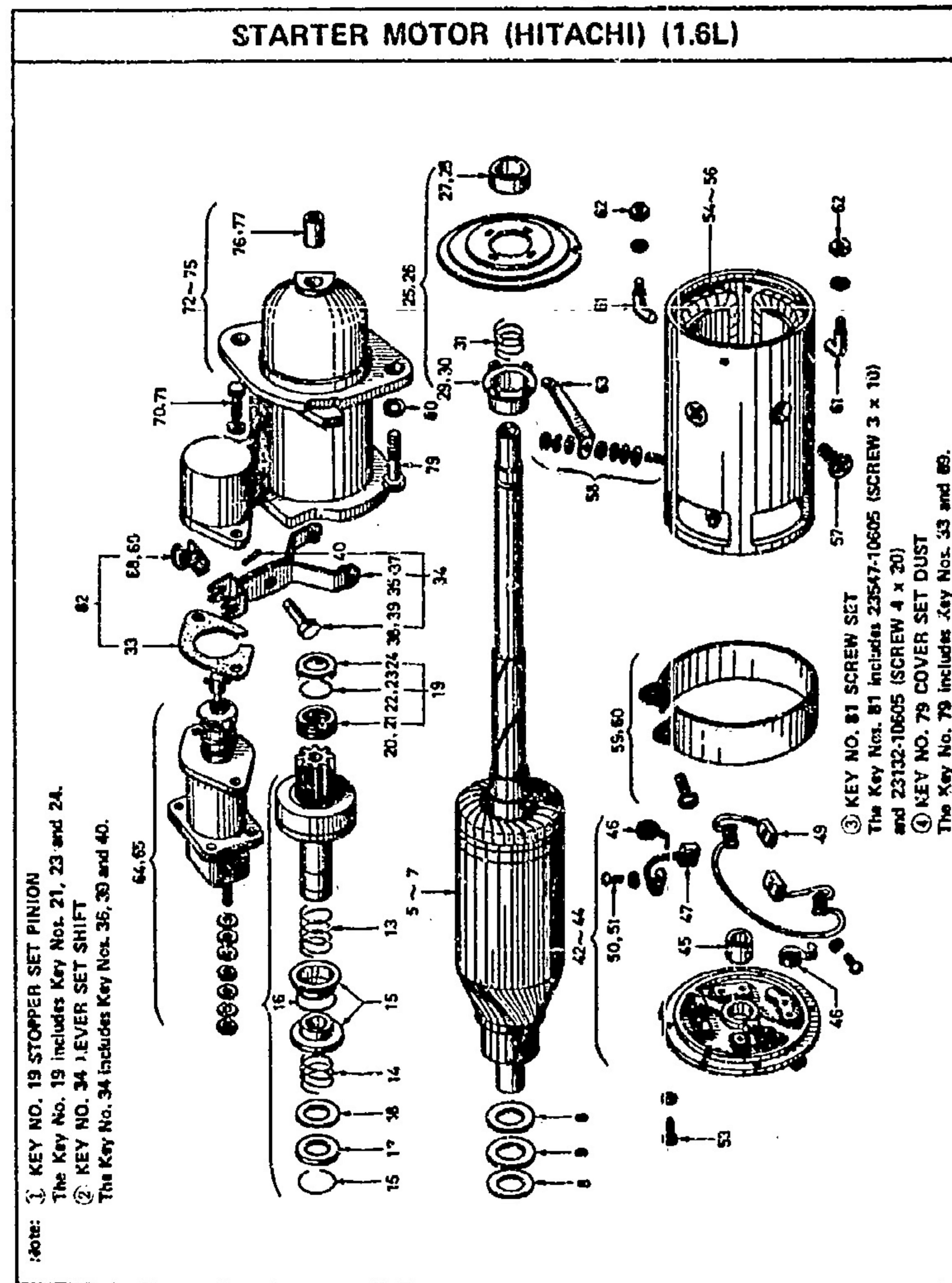
NISSAN MOTOR CO., LTD.

FIG. 19A

S	KEY NO.	PART NO.	PART NAME	QTY	SALES UNIT	MODEL	ICA
	69	23164-12210	ROLY-BX25	1	10 1.6L EMISSION CONTROL & 2L		Y
	70	23164-21610	ROLY	1	10 1.6L EMISSION CONTROL & 2L		Y
	71	23109-35010	WASHER-SPRING	1	10 1.6L EMISSION CONTROL & 2L		
	72	23160-16710	WASHER	1	10 1.6L EMISSION CONTROL & 2L		

FIG. 20 K13

NISSAN MOTOR CO., LTD.



MARCH, 1972

F20 - 1

Printed in Japan

NISSAN MOTOR CO., LTD.

FIG. 20

S	KEY NO.	PART NO.	PART NAME	QTY	SALES UNIT	MODEL	ICA
			STARTER MOTOR (HITACHI) (1.6L)				
•	1	23300-36900	ASSY-MOTOR, STARTER	1		1.6L	
	2	23300-36901	ASSY-MOTOR, STARTER(S11-4-91A)(FROM C/P SEE FIG 20)	1		1.6L	Y
•	3	23300-15800	ASSY-MOTOR, STARTER(S11-4-91)(FROM C/P SP311-953, SPL311-4036)	1		1.6L	N
	4	23300-15805	ASSY-MOTOR, STARTER (150)	1		1.6L	Y
	5	23310-36900	ASSY-ARMATURE(TO C/P SP311-952, SPL311-4037)	1		1.6L	
•	6	23310-15800	ASSY-ARMATURE(FROM C/P SP311-953, SPL311-4036)	1		1.6L	N
	7	23310-15801	ASSY-ARMATURE (FROM C/P SP311-953, SPL311-4036)	1		1.6L	Y
	8	23321-09900	WASHER-THRUST	2	10	1.6L	
	9	23339-09500	WASHER-THRUST	1	10	1.6L	
	10	23312-61800	ASSY-PINION & CLUTCH	1		1.6L	
•	11	23312-10600	ASSY-PINION & CLUTCH	1		1.6L	N
	12	23312-10605	ASSY-PINION & CLUTCH	1		1.6L	Y
	13	23443-09600	SPRING-PINION SLEEVE(IN 0,1)	2	9	1.6L	
	14	23443-09600	SPRING-PINION SLEEVE(IN 0,2)	1	9	1.6L	
	15	23374-09500	SLEEVE-PINION	2	9	1.6L	
	16	23372-09600	CLIP-SLEEVE PINION	2	10	1.6L	
	17	23444-09600	STOPPER-SPRING SLEEVE	1	9	1.6L	

REVISED: MARCH, 1972

20 - 1

Printed in Japan

FIG. 20 K14 NISSAN MOTOR CO., LTD.

S	KEY NO.	PART NO.	PART NAME	QTY	SALES UNIT	MODEL	ICA
	18	23351-09600	WASHER-PINION	1	10	1.6L	
	19	23465-E6200	STOPPER SET PINION	1	1	1.6L	
	20	23369-43600	STOPPER-PINION	1	10	1.6L	
	21	23369-10600	STOPPER-PINION	1	10	1.6L	N
	22	23373-43600	CLIP-STOPPER, PINION	1	10	1.6L	
	23	23353-10600	CLIP-STOPPER, PINION (FROM C/P SP311-103, SPL311-1226)	1	10	1.6L	N
	24	23370-09600	WASHER-STOPPER, PINION	1	10	1.6L	
	25	23383-09500	ASSY-BEARING, CENTER	1	1	1.6L	
	26	23383-10600	ASSY-BEARING, CENTER (FROM C/P SP311-103, SPL311-1226)	1	1	1.6L	N
	27	23441-00500	BEARING-METAL, CENTER	1	10	1.6L	
	28	23441-10600	BEARING-METAL, CENTER (FROM C/P SP311-103, SPL311-1226)	1	10	1.6L	N
	29	23450-09500	BRAKE	1	2	1.6L	
	30	23450-10600	BRAKE (FROM C/P SP311-103, SPL311-1226)	1	1	1.6L	N
	31	23453-09500	SPRING-BRAKE	1	2	1.6L	
	32	23446-36900	COVER-DUST	1	2	1.6L	
	33	23446-15800	PACKING	1	10	1.6L	N
	34	23322-10601	LEVER SET SHIFT	1	1	1.6L	
	35	23322-09500	ASSY-LEVER, PINION SHAFT	1	1	1.6L	
	36	23322-10600	ASSY-LEVER, PINION SHAFT (FROM C/P SP311-103, SPL311-1226)	1	1	1.6L	N
	37	23322-10601	ASSY-LEVER, PINION SHAFT	1	1	1.6L	Y

20- - 2

Printed in Japan

REVISED: MARCH, 1972

NISSAN MOTOR CO., LTD.

FIG. 20

S	KEY NO.	PART NO.	PART NAME	QTY	SALES UNIT	MODEL	ICA
	38	23323-09500	PIN-LEVER, SHIFT	1	10	1.6L	
	39	23323-10600	PIN-LEVER, SHIFT (FROM C/P SP311-103, SPL311-1226)	1	10	1.6L	N
	40	23391-43300	PIN-CUTTER	1	10	1.6L	
	41	23337-09500	ASSY-COVER, REAR	1	1	1.6L	
	42	23337-09501	ASSY-COVER, REAR (TO C/P SP311-102, SPL311-1225)	1	1	1.6L	Y
	43	23337-10600	ASSY-COVER, REAR (FROM C/P SP311-103, SPL311-1226)	1	1	1.6L	N
	44	23337-10605	ASSY-COVER, REAR (ISO)	1	1	1.6L	N
	45	23338-00900	BEARING-METAL	1	2	1.6L	
	46	23333-00900	SPRING-BRUSH (INC. 23347-10605)	4	10	1.6L	
	47	23379-00900	BRUSH(-)	2	10	1.6L	
	48	23380-00902	BRUSH(+)	1	10	1.6L	
	49	23380-10600	BRUSH(+)(FROM C/P SP311-103, SPL311-1226)	1	10	1.6L	Y
	50	23347-25660	SCREW(3)	2	20	1.6L	
	51	23347-10605	SCREW (3) (ISO)	2	10	1.6L	N
	52	22103-50000	SCREW(4)	4	50	1.6L	
	53	23340-15805	BOLT (ISO)	2	10	1.6L	
	54	23306-36900	ASSY-COIL, FIELD	1	1	1.6L	
	55	23306-15800	ASSY-COIL, FIELD (FROM C/P SP311-053, SPL311-4036)	1	1	1.6L	N
	56	23306-15801	ASSY-COIL, FIELD (INC. 23305-09500)	1	1	1.6L	Y
	57	23305-09500	SCREW-SET, POLE CORE	4	10	1.6L	
	58	23384-09601	ASSY-TERMINAL	1	10	1.6L	

20- - 3

Printed in Japan

REVISED: MARCH, 1972

FIG. 20 K15 NISSAN MOTOR CO., LTD.

S	KEY NO.	PART NO.	PART NAME	QTY	SALES UNIT	MODEL	ICA
	59	23342-09901	ASSY-COVER, BRUSH	1	1	1.6L	
	60	23309-15805	ASSY-COVER, BRUSH (180)	1	1	1.6L	N
	61	23352-09600	BOLT-JOINT	2	10	1.6L	
	62	23393-09800	NUT	2	10	1.6L	
	63	23447-36900	PLATE-CONNECTING	1	1	1.6L	
	64	23343-36900	ASSY-SWITCH, MAGNETIC (TO C/# SP311-952, SPL311-4035)	1	1	1.6L	
	65	23343-15800	ASSY-SWITCH, MAGNETIC (FROM C/# SP311-953, SPL311-4036)	1	1	1.6L	N
	66	23343-15801	SWITCH, MAGNETIC (FROM C/# SP311-953, SPL311-4036)	1	1	1.6L	Y
	67	23343-15805	ASSY-SWITCH, MAGNETIC (150)	1	1	1.6L	N
	68	23445-36900	COVER-DUST (TO C/# SP311-952, SPL311-4035)	1	5	1.6L	
	69	23445-15800	COVER-DUST (FROM C/# SP311-953, SPL311-4036)	1	10	1.6L	N
	70	22201-09600	BOLT (5) (TO C/# SP311-182, SPL311-1225)	2	10	1.6L	
	71	22201-10600	BOLT (5) (FROM C/# SP311-183, SPL311-1226)	2	10	1.6L	N
	72	23318-36900	ASSY-CASE, GEAR (TO C/# SP311-182, SPL311-1225)	1	1	1.6L	
	73	23318-36901	ASSY-CASE, GEAR (FROM C/# SEE FIG 20)	1	1	1.6L	N
	74	23318-10600	ASSY-CASE, GEAR AL (FROM C/# SP311-953, SPL311-4036)	1	1	1.6L	N
	75	23318-15805	ASSY-CASE GEAR (150)	1	1	1.6L	N
	76	23319-09600	BEARING-METAL (TO C/# SP311-182, SPL311-1225)	1	5	1.6L	

REVISED: MARCH, 1972

20 - 4

Printed in Japan

NISSAN MOTOR CO., LTD.

FIG. 20

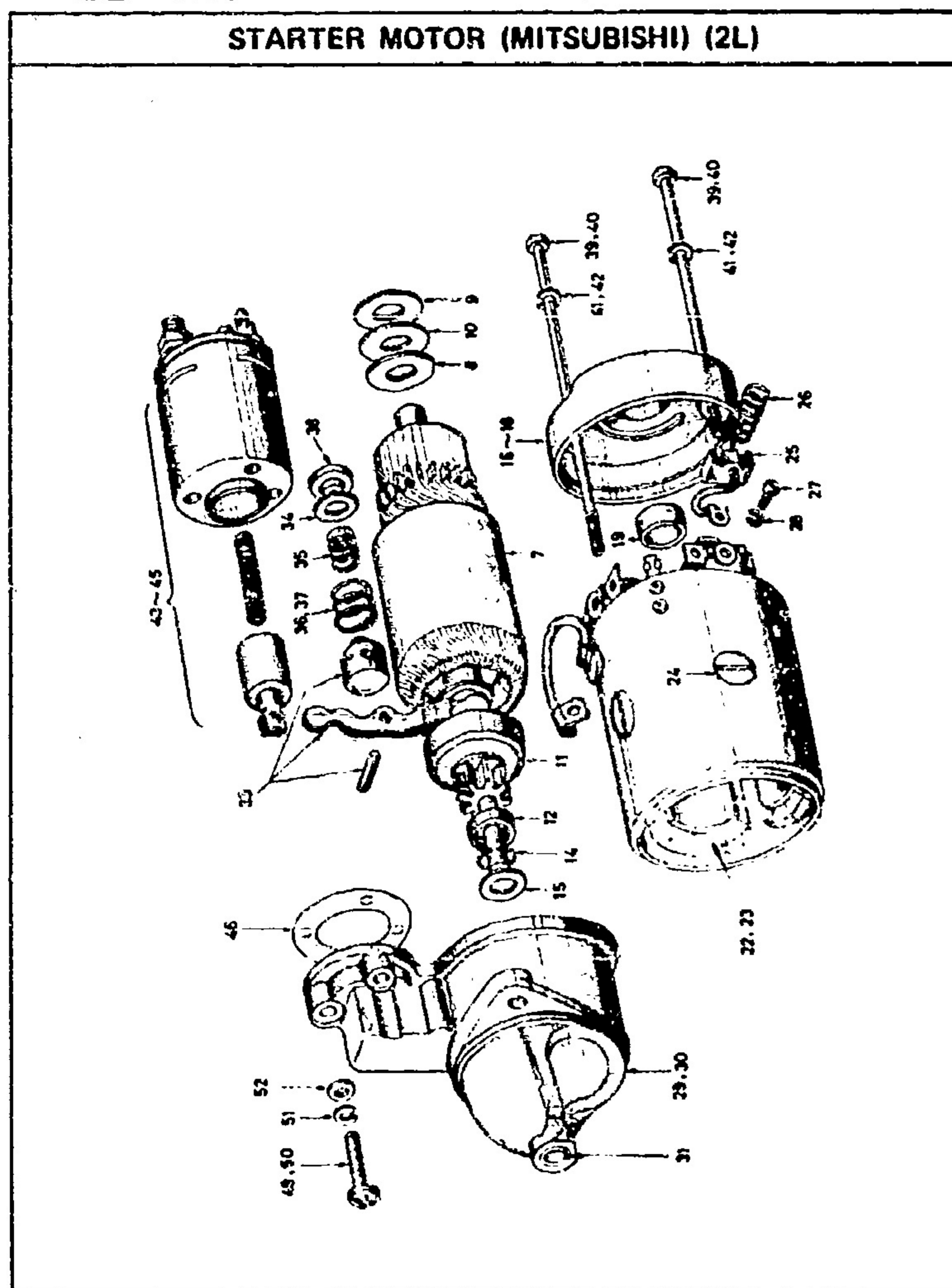
S	KEY NO.	PART NO.	PART NAME	QTY	SALES UNIT	MODEL	ICA
	77	23319-10600	BEARING-METAL (FROM C/# SP311-183, SPL311-1226)	1	10	1.6L	N
	78	23309-18600	BOLT 90 (150)	2	10	1.6L	
	79	80124-63516	BOLT TO FIX STARTER MOTOR	2	25	1.6L	
	80	80715-21610	WASHER-LOCK TO FIX STARTER MOTOR	2	25	1.6L	
	81	23480-M0100	SCREW SET	1	1	1.6L	
	82	23470-15800	COVER SET DUST	1	1	1.6L	

REVISED: MARCH, 1972

20 - 5

Printed in Japan

FIG. 20A K16 NISSAN MOTOR CO., LTD.



NISSAN MOTOR CO., LTD.

FIG. 20A

KEY NO.	PART NO.	PART NAME	QTY	SALES UNIT	MODEL	ICA
STARTER MOTOR (MITSUBISHI) (2L)						
1	23300-15811	ASSY-STARTER MOTOR(MITSUBISHI)	1	2L		
2	23300-15815	ASSY-STARTER MOTOR(MITSUBISHI) (ISO)	1	1 2L		Y
3	23300-A3210	ASSY-STARTER MOTOR (MITSUBISHI) (ISO)	1	1 2L		Y
4	00121-03510	BOLT-HEXAGON HEAD M10 X 1.5 X 35 TO ATTACH STARTER MOTOR TO ENGINE	2	25 2L		
5	00915-24010	WASHER-SPRING M10 TO ATTACH STARTER MOTOR TO ENGINE	2	50 2L		
6	00915-44010	WASHER-PLAIN M10 TO ATTACH STARTER MOTOR TO ENGINE	2	50 2L		
7	23310-15811	ASSY-ARMATURE	1	1 2L		
8	23326-15810	WASHER	1	10 2L		
9	23339-15810	WASHER-INSULATOR	1	10 2L		
10	23321-15010	WASHER	1	10 2L		
11	23312-15810	ASSY-PINION & CLUTCH	1	1 2L		
12	23369-00610	STOPPER-PINION	1	10 2L		
13	23465-18010	SET-STOPPER, PINION	1	2L		Y
14	23373-00610	CLIP-PINION STOPPER	1	10 2L		
15	23320-00610	WASHER	1	10 2L		
16	23337-21010	ASSY-COVER, REAR	1	1 2L		
17	23337-21012	ASSY-COVER, REAR	1	1 2Y		Y
18	23337-A3210	ASSY-COVER, REAR	1	1 2L		II

FIG. 20A L1 NISSAN MOTOR CO., LTD.

S	KEY NO.	PART NO.	PART NAME	QTY	SALES UNIT	MODEL	ICA
	19	23338-21010	METAL-BEARING	1	5	2L	
	20	23338-21012	METAL BEARING	1	5	2L	Y
	21	23338-21011	METAL BEARING	1	5	2L	N
	22	23306-15811	ASSY-COIL, FIELD	1	1	2L	
	23	23306-A3210	ASSY-COIL, FIELD	1	1	2L	N
	24	23305-21010	SCREW-SET, POLE CORE	4	10	2L	
	25	23380-21010	ASSY-BRUSH	4	10	2L	
	26	23333-21010	SPRING, BRUSH	4	10	2L	
	27	23350-09610	SCREW	4	10	2L	
	28	23339-36910	WASHER	4	10	2L	
	29	23318-15811	ASSY-COVER, FRONT	1	1	2L	
	30	23318-A3210	ASSY-COVER, FRONT	1	1	2L	N
	31	23319-09612	METAL-BEARING	1	10	2L	
	32	23324-21010	PLATE	1	10	2L	
	33	23322-15810	ASSY-LEVER, PINION SHAFT	1	1	2L	
	34	23296-15810	WASHER	1	10	2L	
	35	23327-15810	SPRING-LEVER A	1	10	2L	
	36	23327-15811	SPRING-LEVER B	1	5	2L	
	37	23327-15812	SPRING-LEVER B (ISO)	1	5	2L	N
	38	23328-21010	RETAINER-SPRING	1	10	2L	
	39	23340-15811	BOLT-THROUGH	2	5	2L	
	40	23340-A3210	BOLT-THROUGH	2	10	2L	N
	41	22203-01302	WASHER-SPRING	2	10	2L	
	42	22203-A3210	WASHER-SPRING	2	10	2L	N
	43	23343-15811	ASSY-SWITCH	1	1	2L	

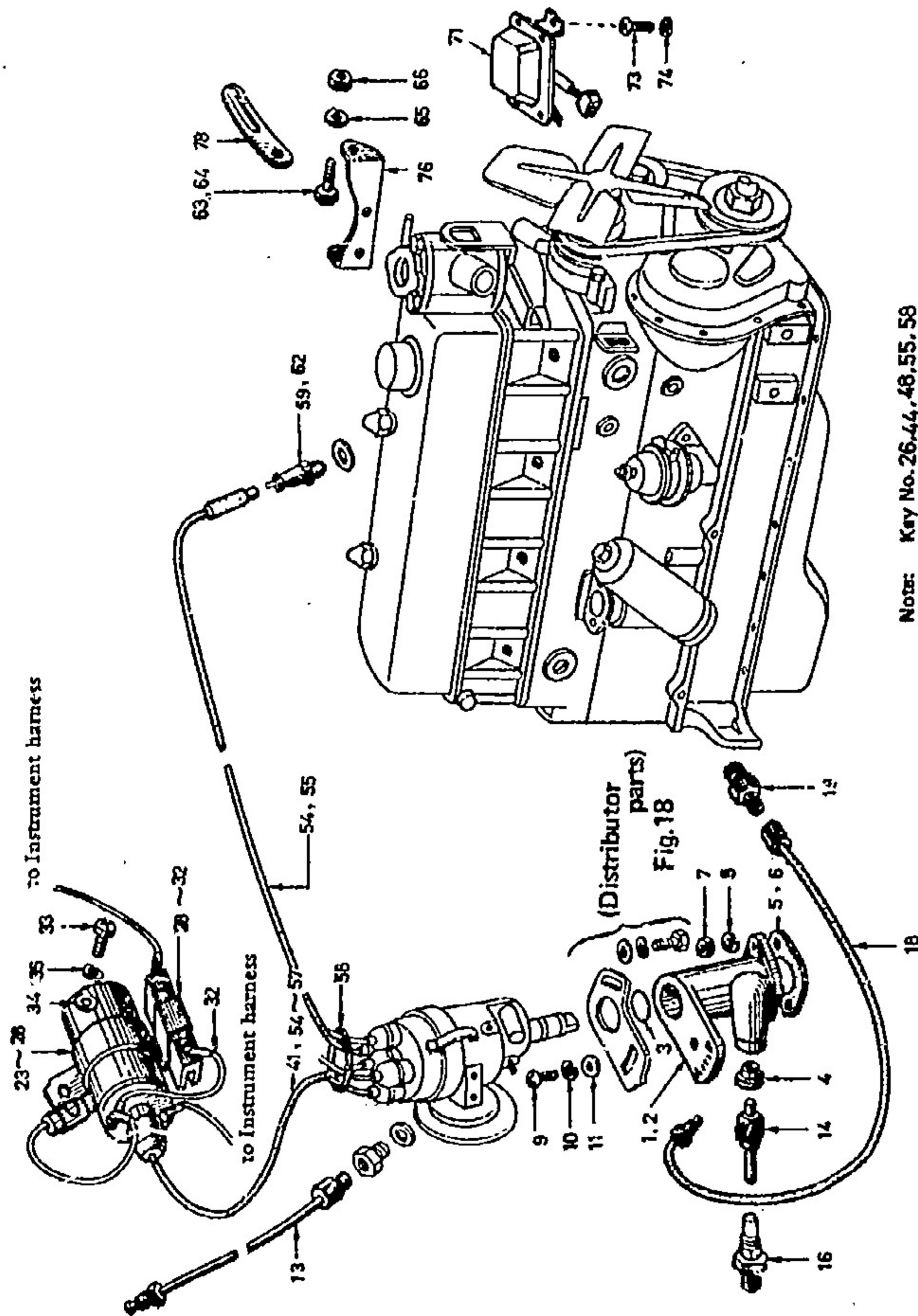
NISSAN MOTOR CO., LTD.

FIG. 20A

S	KEY NO.	PART NO.	PART NAME	QTY	SALES UNIT	MODEL	ICA
	44	23343-15815	ASSY-SWITCH (ISO)	1	1	2L	N
	45	23343-A3210	ASSY-SWITCH	1	1	2L	N
	46	23457-15810	PACKING	1	10	2L	
	47	23345-15810	SHIM(T=0,5)	1	10	2L	
	48	23345-15810	SHIM(T=1,0)	1	10	2L	
	49	23344-15810	SCREW	3	10	2L	
	50	23344-A3210	SCREW	3	10	2L	N
	51	22203-01302	WASHER-SPRING	5	10	2L	
	52	23349-15810	WASHER	3	10	2L	
	53	00124-63510	BOLT TO FIX STARTER MOTOR	2	25	2L	
	54	00915-21610	WASHER-LOCK TO FIX STARTER MOTOR	2	50	2L	
	55	00915-41610	WASHER-PLAIN TO FIX STARTER MOTOR	2	50	2L	
	56	23497-A3210	ASSY-BAND SET	1	1	2L	
	57	23498-A3210	SCREW	2	1	2L	
	58	22203-32210	WASHER-SPRING	2	50	2L	

FIG. 21-1 L2 NISSAN MOTOR CO., LTD.

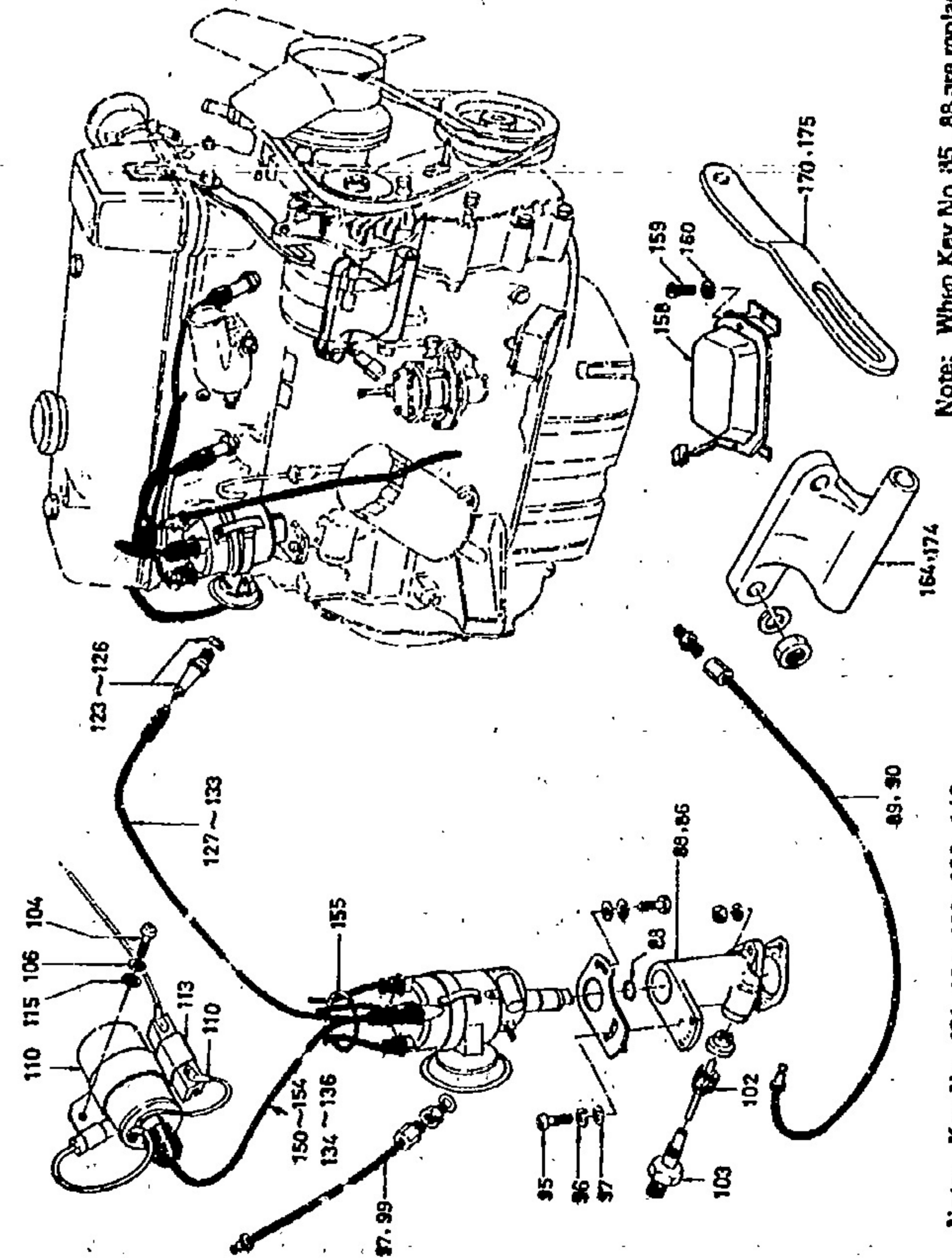
ELECTRIC PARTS MOUNTING (1.6L)



Note: Key No. 26, 44, 48, 55, 58
In case of using HITACHI ignition coil, the high tension cables should be replaced together.

FIG. 21.2

ELECTRIC PARTS MOUNTING (2L)



Note: When Key No. 85, 88 are replaced together, they are interchangeable.

Note: Key No. 131, 134, 136, 138, 148
In case of using HITACHI ignition coil, the high tension cables should be replaced at the same time.

S	KEY NO.	PART NO.	PART NAME	QTY	SALES UNIT	MODEL	ICA
ELECTRIC PARTS MOUNTING							
•	1	22177-14600	SUPPORT-DISTRIBUTOR	1	1.6L		
•	2	22177-18825	SUPPORT-DISTRIBUTOR	1	1.6L		Y
•	3	22180-71200	RING-DRIVE, DISTRIBUTOR SUPPORT	1	10 1.6L		
•	4	32706-26760	BUSHING-SPEEDOMETER DRIVE PINION	1	5 1.6L		
•	5	22179-32200	PACKING-DISTRIBUTOR SUPPORT	1	10 1.6L		
•	6	22179-E3000	PACKING-DISTRIBUTOR SUPPORT	1	10 1.6L		Y
•	7	00911-24410	NUT	2	50 1.6L		
•	8	00915-11410	WASHER-LOCK	2	50 1.6L		
•	9	00367-41210	SCREW	1	50 1.6L		
•	10	00915-11410	WASHER-LOCK	1	50 1.6L		
•	11	00915-41410	WASHER-PLAIN	1	50 1.6L		
•	12	22318-12200	TUBE-VAC CONTROL (TO SEP-67)	1	1.6L		
•	13	22318-14600	TUBE-VAC CONTROL (FROM OCT-67)	1	5 1.6L		Y
•	14	22951-10400	PINION-DRIVE, TACHOMETER	1	1 1.6L		
•	15	32707-32200	ASSY-SLEEVE, SPEEDOMETER PINION	1	5 1.6L		
•	16	32707-18800	ASSY-SLEEVE, SPEEDOMETER PINION	1	1 1.6L		Y
•	17	22952-10401	ASSY-TUBE, OIL FEED, TACHOMETER DRIVE	1	1.6L		

S	KEY NO.	PART NO.	PART NAME	QTY	SALES UNIT	MODEL	ICA
•	18	22952-10402	ASSY-TUBE, OIL FEED, TACHOMETER DRIVE	1	5 1.6L		Y
•	19	22954-10400	CONNECTOR-OIL FEED TUBE	1	2 1.6L		
•	20	22433-14400	COIL-IGNITION (HANSHIN)	1	1.6L		
•	21	22433-14401	COIL-IGNITION (HANSHIN)	1	1 1.6L		Y
•	22	22433-14615	COIL-IGNITION (HANSHIN) (150)	1	1 1.6L		Y
•	23	22433-14616	COIL-IGNITION (HANSHIN)	1	1 1.6L		Y
•	24	22433-14600	COIL-IGNITION (HITACHI)	1	10 1.6L		
•	25	22433-14605	COIL-IGNITION (HITACHI) (150)	1	1 1.6L		Y
•	26	22433-14606	COIL-IGNITION (HITACHI)	1	1 1.6L		C
•	27	22460-14400	RESISTOR-IGNITION (HANSHIN)	1	1 1.6L		
•	28	22460-14615	RESISTOR-IGNITION (HANSHIN) (150)	1	1 1.6L		Y
•	29	22460-14600	RESISTOR-IGNITION (HITACHI)	1	10 1.6L		
•	30	22460-14605	RESISTOR-IGNITION (HITACHI) (150)	1	1 1.6L		Y
•	31	22460-14606	RESISTOR-IGNITION (HITACHI)	1	1 1.6L		Y
•	32	24016-14600	ASSY-CABLE, IGNITION	1	1 1.6L		
•	33	00314-41212	SCREW TO FIX IGNITION COIL	2	50 1.6L		
•	34	00915-11410	WASHER-LOCK TO FIX IGNITION COIL	2	50 1.6L		
•	35	00915-41410	WASHER-PLAIN TO FIX IGNITION COIL	2	50 1.6L		
•	36	22451-38700	ASSY-CABLE, HIGH TENSION (NO. 1) (YAZAKI)	1	10 1.6L		

FIG. 21 L4 NISSAN MOTOR CO., LTD.

S	KEY NO.	PART NO.	PART NAME	QTY	SALES UNIT	MODEL	ICA
	37	22452-38700	ASSY-CABLE,HIGH TENSIO N (NO,2) (YAZAKI)	1	10	1.6L	Y
	38	22453-38700	ASSY-CABLE,HIGH TENSIO N (NO,3) (YAZAKI)	1	10	1.6L	
	39	22454-38700	ASSY-CABLE,HIGH TENSIO N (NO,4) (YAZAKI)	1	10	1.6L	
	40	22450-14600	ASSY-CABLE,HIGH TENSIO N(YAZAKI)(COIL TO DIST RIBUTOR)	1	5	8P	
	41	22450-32201	ASSY-CABLE,HIGH TENSIO N(YAZAKI)(COIL TO DIST RIBUTOR)	1	10	3PL	
	42	22450-14627	SET HIGH TENSION CABLE (SUMITOMO)	1		1.6L R DRIVE	
	43	22450-14626	SET HIGH TENSION CABLE (SUMITOMO)	1	1	1.6L R DRIVE	Y
	44	22450-14629	SET HIGH TENSION CABLE (SUMITOMO)	1	1	1.6L R DRIVE	C
	45	22450-14628	SET HIGH TENSION CABLE	1	1	1.6L R DRIVE	Y
	46	22450-25526	SET HIGH TENSION CABLE (SUMITOMO)	1	1	1.6L L DRIVE	
	47	22450-25525	SET HIGH TENSION CABLE (YAZAKI)	1	1	1.6L L DRIVE	
	48	22450-25528	SET HIGH TENSION CABLE (SUMITOMO)	1	1	1.6L L DRIVE	C
	49	22450-25527	SET HIGH TENSION CABLE (YAZAKI)	1	1	1.6L L DRIVE	Y
	50	22451-66010	ASSY CABLE HIGH TENSIO N NO,1 (SUMITOMO)	1	5	1.6L	
	51	22452-66010	ASSY CABLE HIGH TENSIO N NO,2 (SUMITOMO)	1	5	1.6L	
	52	22453-66010	ASSY CABLE HIGH TENSIO N NO,3 (SUMITOMO)	1	5	1.6L	

REVISED: JUNE, 1972

21 - 3

Printed in Japan

NISSAN MOTOR CO., LTD.

FIG. 21

S	KEY NO.	PART NO.	PART NAME	QTY	SALES UNIT	MODEL	ICA
	53	22454-66010	ASSY CABLE HIGH TENSIO N NO.4 (SUMITOMO)	1	5	1.6L	
	54	22450-14612	CABLE HIGH TENSION (CO IL TO DISTRIBUTOR) (SU MITOMO)	1		1.6L R DRIVE	
	55	22450-14612	CABLE HIGH TENSION (CO IL TO DISTRIBUTOR) (SU MITOMO)	1		1.6L R DRIVE	C
	56	22450-A7400	CABLE-HIGH TENSION COI L TO DISTRIBUTOR(SUMIT OMO)	1	5	1.6L R DRI VE	
	57	22450-25510	CABLE HIGH TENSION (CO IL TO DISTRIBUTOR) (SU MITOMO)	1		1.6L L DRIVE	
	58	22450-25511	CABLE HIGH TENSION (CO IL TO DISTRIBUTOR) (SU MITOMO)	1	1	1.6L L DRIVE	C
	59	22431-10560	RING-HIGH TENSION CARL E	1	10	1.6L	
	60	22401-58000	PLUG-SPARK (NGK B-6E)	4	10	1.6L	
	61	22401-E6610	PLUG-SPARK (NGK B5E8)	4	1	1.6L	Y
	62	22401-32200	PLUG-SPARK (H. IACHI)	4		1.6L	
	63	22401-32201	PLUG-SPARK (HITACHI)	4	10	1.6L	Y
	64	22401-A4805-01	PLUG-SPARK (HITACHI)	4	1	1.6L	Y
	65	23139-12900	BOLT TO FIX ALTERNATOR TO BRACKET	1	10	1.6L	
	66	00915-11510	WASHER-LOCK TO FIX ALT ERNATOR TO BRACKET	1	50	1.6L	
	67	00911-24510	NUT TO FIX ALTERNATOR TO BRACKET	1	50	ALL	
	68	23500-14600	REGULATOR-VOLTAGE(12V3 00H)	1		ALL	
	69	23500-14602	REGULATOR-VOLTAGE(12V3 00H)(RL-2D3)(FROM E/F R-2214)	1		ALL	Y

REVISED: JUNE, 1972

21 - 4

Printed in Japan

S KEY NO.	PART NO.	PART NAME	QTY	SALES UNIT	MODEL	ICA
70	23500-14603	REGULATOR-VOLTAGE (12V 300W)(RL-283)(FROM E/R R-2214)	1		ALL	Y
71	23500-14814	ASSY-REGULATOR VOLTAGE	1	1	ALL	Y
72	23500-80910	ASSY-REGULATOR VOLTAGE (HITSUBISHI)	1	1	ALL	Y
73	00314-41610	SCREW TO FIX VOLTAGE REGULATOR	2	50	1.6L	
74	00915-11410	WASHER-LOCK TO FIX VOLTAGE REGULATOR	2	50	1.6L	
75	23168-12900	ASSY-BRACKET, ALTERNATOR MOUNTING	1	1	ALL	
76	11710-25602	BRACKET-ALTERNATOR (FROM OCT-67)	1	1	SPLU & SRLU	
77	00134-62510	BOLT TO FIX BRACKET TO CYLINDER BLOCK	3	50	ALL	
78	00915-21610	WASHER-LOCK TO FIX BRACKET TO CYLINDER BLOCK	3	50	ALL	
79	23174-14600	BAR-ADJUSTING, ALTERNATOR	1	1	1.6L	
80	23174-14601	BAR-ADJUSTING, ALTERNATOR (FROM E/R R-10601, C/ # SP311-00947, SPL311-03884)	1	1	1.6L EXC SPLU	N
81	11715-14700	BAR-ADJUST, ALTERNATOR	1		SPLU	
82	11715-14701	BAR-ADJUST, ALTERNATOR	1	1	SPLU	N
83	00915-11610	WASHER-LOCK TO FIX BAR TO CYLINDER HEAD	1	50	1.6L	
84	00911-24610	NUT TO FIX BAR TO CYLINDER HEAD	1	50	1.6L	
85	22177-25501	SUPPORT-DISTRIBUTOR (TO E/R U20-2338)	1	1	2L	
86	22177-25502	SUPPORT-DISTRIBUTOR (FROM E/R U20-2339)	1	1	2L	N

S KEY NO.	PART NO.	PART NAME	QTY	SALES UNIT	MODEL	ICA
87	22177-25503	SUPPORT-DISTRIBUTOR	1	1	2L	C
88	22180-71200	WASHER, DISTRIBUTOR SUPPORT	1	10	2L	
89	22952-25500	TUBE-OIL FEED (TO E/R U20-2338)	1	1	2L	
90	22952-25501	TUBE-OIL FEED (FROM E/R U20-2339)	1	1	2L	N
91	22952-25503	TUBE-OIL FEED	1	5	2L	C
92	22954-25500	CONNECTOR-OIL FEED TUBE	1	10	2L	
93	00120-62210	BOLT-HEXAGON HEAD M6 X 1.0	2	50	2L	
94	00915-13610	WASHER-SPRING M6	2	50	2L	
95	00310-61212	SCREW-PAN HEAD M6 X 1.0 X 12	1	50	2L	
96	00915-13610	WASHER-SPRING M6	1	50	2L	
97	00915-13610	WASHER-PLAIN M6	1	50	2L	
98	22318-25500	TUBE-VACUUM ADVANCE	1	5	2L EXC SRLU	
99	22318-25501	TUBE-VACUUM ADVANCE	1		2L EXC SRLU	Y
100	22318-25600	TUBE-VACUUM ADVANCE	1	5	SRLU	
101	22318-25601	TUBE-VACUUM ADVANCE	1	5	SRLU	Y
102	22951-10400	PINION-DRIVE, TACHOMETER	1	1	2L	
103	32707-18810	ASSY-SLEEVE, SPEEDOMETER PINION	1	5	2L	
104	32709-14600	WASHER, SPEEDOMETER PINION	1	10	2L	
105	32710-04100	WASHER, SPEEDOMETER PINION	1	10	2L	

S	KEY NO.	PART NO.	PART NAME	QTY	SALES UNIT	MODEL	ICA
•	106	22433-14600	COIL-IGNITION 12V(HITACHI)	1	10	2L	
•	107	22433-14605	COIL-IGNITION 12V (HITACHI) (ISO)	1	1	2L	Y
	108	22433-14606	COIL-IGNITION 12V (HITACHI)	1	1	2L	C
•	109	22433-14615	COIL-IGNITION (HANSHIN) (ISO)	1	1	2L	
	110	22433-14616	COIL-IGNITION (HANSHIN)	1	1	2L	Y
•	111	22460-14600	REGISTER-IGNITION COIL	1	10	2L	
•	112	22460-14605	REGISTER-IGNITION COIL (ISO)	1	1	2L	Y
	113	22460-14606	REGISTER-IGNITION COIL	1	1	2L	Y
	114	00314-41212	SCREW-1/4-28 TO ATTACH COIL TO BODY	2	50	2L	
	115	00915-41410	WASHER-PLAIN TO ATTACH COIL TO BODY	2	50	2L	
	116	00915-11410	WASHER-SPRING TO ATTACH COIL TO BODY	2	50	2L	
	117	22000-16500	KIT-IGNITION, TRANSISTOR (HITACHI)	1		OP, 2L	
	118	22020-16500	UNIT-TRANSISTOR, IGNITION	1	1	OP, 2L	
	119	22433-13000	COIL-IGNITION	1	1	OP, 2L	
	120	22460-16500	REGISTER-IGNITION	1	1	OP, 2L	
	121	22460-16501	REGISTER-IGNITION	1	1	OP, 2L	
	122	24028-16500	ASSY-CABLE, IGNITION	1	1	OP, 2L	
•	123	22401-58000	PLUG-SPARK(N, G, K, B-7E) STANDARD	4	10	ALL	
	124	22401-58001	PLUG-SPARK(N, G, K, B-7E) HOT TYPE	4	10	ALL	

S	KEY NO.	PART NO.	PART NAME	QTY	SALES UNIT	MODEL	ICA
•	125	22401-10605	PLUG-SPARK(N, G, K, B-7E) COLD TYPE	4	10	ALL	
	126	22401-A0200	PLUG-SPARK(N, G, K, B-7E) COLD TYPE	4	10	ALL	Y
•	127	22451-66000	ASSY-CABLE, HIGH TENSION (NO, 1) (YAZAKI)	1	10	2L	
	128	22451-66001	ASSY-CABLE, HIGH TENSION (NO, 1) (YAZAKI)	1		2L	Y
•	129	22452-66000	ASSY-CABLE, HIGH TENSION (NO, 2) (YAZAKI)	1	10	2L	
	130	22452-66001	ASSY-CABLE, HIGH TENSION (NO, 2) (YAZAKI)	1		2L	Y
•	131	22453-66000	ASSY-CABLE, HIGH TENSION (NO, 3) (YAZAKI)	1	10	2L	
•	132	22454-66000	ASSY-CABLE, HIGH TENSION (NO, 4) (YAZAKI)	1	10	2L	
	133	22454-66010	ASSY-CABLE, HIGH TENSION (NO, 4)	1		2L	Y
	134	22450-25500	ASSY-CABLE, IGNITION COIL TO DISTRIBUTOR (YAZAKI)	1	10	SRL	
	135	22450-25501	ASSY-CABLE, IGNITION COIL TO DISTRIBUTOR (YAZAKI)	1	10	SRL	C
	136	22450-14601	ASSY-CABLE, IGNITION COIL TO DISTRIBUTOR (YAZAKI)	1	10	SR	
	137	22450-14602	ASSY-CABLE, IGNITION COIL TO DISTRIBUTOR (YAZAKI)	1	1	SR	C
•	138	22450-14627	SET-HIGH TENSION CABLE (SUHIYOH)	1		2L R DRIVE	
•	139	22450-14626	SET-HIGH TENSION CABLE (SUHIYOH)	1	1	2L R DRIVE	Y
•	140	22450-14629	SET-HIGH TENSION CABLE (SUHIYOH)	1	1	2L R DRIVE	C

FIG. 21 L7 NISSAN MOTOR CO., LTD.

S	KEY NO.	PART NO.	PART NAME	QTY	SALES UNIT	MODEL	ICA
	141	22450-14628	SET-HIGH TENSION CABLE	1	1	2L L DRIVE	Y
•	142	22450-25526	SET-HIGH TENSION CABLE (SUHITOMO)	1	1	2L L DRIVE	
•	143	22450-25525	SET-HIGH TENSION CABLE (SUHITOMO)	1	1	2L L DRIVE	
•	144	22450-25528	SET HIGH TENSION CABLE (SUHITOMO)	1	1	2L L DRIVE	C
	145	22450-25527	SET HIGH TENSION CABLE (YAZAKI)	1	1	2L L DRIVE	Y
•	146	22451-66010	ASSY CABLE HIGH TENSION NO.1 (SUHITOMO)	1	5	2L	
•	147	22452-66010	ASSY CABLE HIGH TENSION NO.2 (SUHITOMO)	1	5	2L	
•	148	22453-66010	ASSY CABLE HIGH TENSION NO.3 (SUHITOMO)	1	5	2L	
•	149	22454-66010	ASSY CABLE HIGH TENSION NO.4 (SUHITOMO)	1	5	2L	
	150	22450-14611	CABLE HIGH TENSION (COIL TO DISTRIBUTOR) (SUHITOMO)	1		2L R DRIVE	
	151	22450-14612	CABLE HIGH TENSION (COIL TO DISTRIBUTOR) (SUHITOMO)	1		2L R DRIVE	C
	152	22450-A7400	CABLE-HIGH TENSION COIL TO DISTRIBUTOR (SUHITOMO)	1	5	2L R DRIVE	
•	153	22450-25510	CABLE HIGH TENSION (COIL TO DISTRIBUTOR) (SUHITOMO)	1		2L R DRIVE	
•	154	22450-25511	CABLE HIGH TENSION (COIL TO DISTRIBUTOR) (SUHITOMO)	1	1	2L R DRIVE	C
	155	22431-10560	RING-HIGH TENSION CABLE, BLACK RUBBER	1	10	2L	
•	156	23500-14603	ASSY-REGULATOR, VOLTAGE (HITSUBISHI)	1		2L	

21 - 9

Printed in Japan

REVISED: JUNE, 1972

NISSAN MOTOR CO., LTD.

FIG. 21

S	KEY NO.	PART NO.	PART NAME	QTY	SALES UNIT	MODEL	ICA
•	157	23500-14814	ASSY-REGULATOR, VOLTAGE (HITSUBISHI)	1	1	2L	Y
	158	23500-89910	ASSY-REGULATOR, VOLTAGE (HITSUBISHI)	1	1	2L	Y
	159	00314-41610	SCREW-PAN HEAD 1/4-28 UNF X 16 TO ATTACH REGULATOR TO HOOD LEDGE	2	50	2L	
	160	00915-11410	WASHER-SPRING TO ATTACH REGULATOR TO HOOD LEDGE	2	50	2L	
	161	11710-25500	BRACKET-ALTERNATOR	1		SRL	
	162	08134-02510	BOLT-HEXAGON HEAD M10 X 1.25 TO ATTACH BRACKET TO CYLINDER BLOCK	3	50	SRL	
	163	08915-24010	WASHER-SPRING M10 TO ATTACH BRACKET TO CYLINDER BLOCK	3	50	SRL	
	164	11711-25500	SUPPORT-ALTERNATOR	1	1	SRL	
	165	11712-25500	BOLT TO ATTACH BRACKET TO ALTERNATOR	1	10	SRL	
	166	08911-24010	NUT-HEXAGON M10 X 1.25 TO ATTACH BRACKET TO ALTERNATOR	1	50	SRL	
•	167	21107-E4200	NUT-HEXAGON M10X1.25 TO ATTACH BRK. TO ALTERNATOR	1	10	SRL	Y
	168	08915-24010	WASHER-SPRING M10 TO ATTACH BRACKET TO ALTERNATOR	1	50	SRL	
	169	11717-25500	SPACER-SUPPORT TO ALTERNATOR	2		SRL	
	170	11715-25500	BAR-ADJUSTING, ALTERNATOR	1	5	SRL	
	171	11710-25600	BRACKET-ALTERNATOR	1	1	SR	
	172	11712-25600	BOLT TO ATTACH BRACKET TO ALTERNATOR	1	10	SR	

21 - 10

Printed in Japan

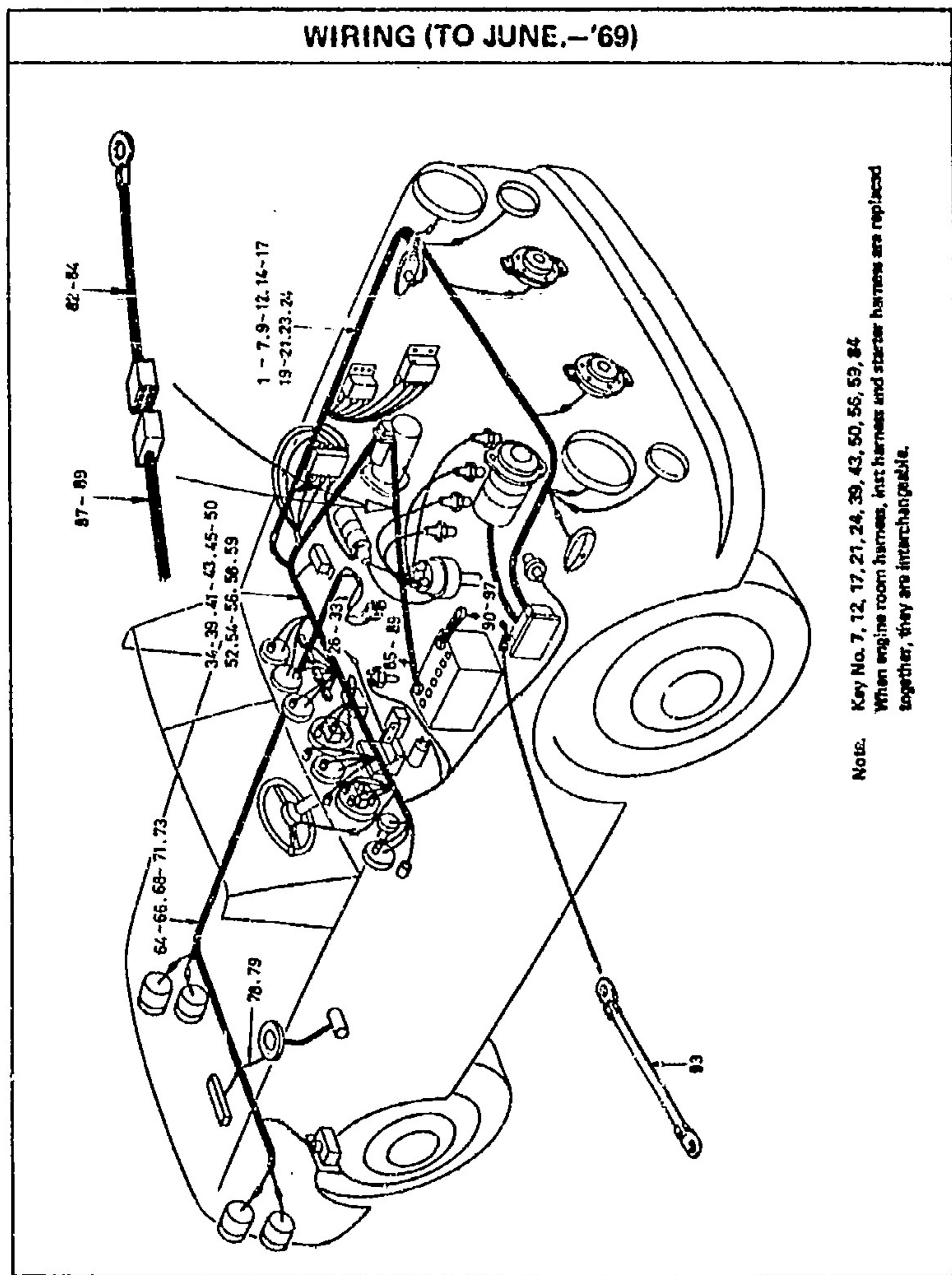
REVISED: JUNE, 1972

FIG. 21 L8 NISSAN MOTOR CO., LTD.

S	KEY NO.	PART NO.	PART NAME	QTY	SALES UNIT	MODEL	ICA
	173	0R915-14010	WASHER-SPRING TO ATTACH BRACKET TO ALTERNATOR	1	20	SR	
	174	11711-25600	SUPPORT-ALTERNATOR	1	1	SR	
	175	11715-25600	BAR-ADJUSTING, ALTERNATOR	1	5	SR	

REVISED: JUNE, 1972

FIG. 22-1 L9 NISSAN MOTOR CO., LTD.



Note: Key No. 7, 12, 17, 21, 24, 39, 43, 50, 56, 59, 84
When engine room harness, front harness and starter harness are replaced together, they are interchangeable.

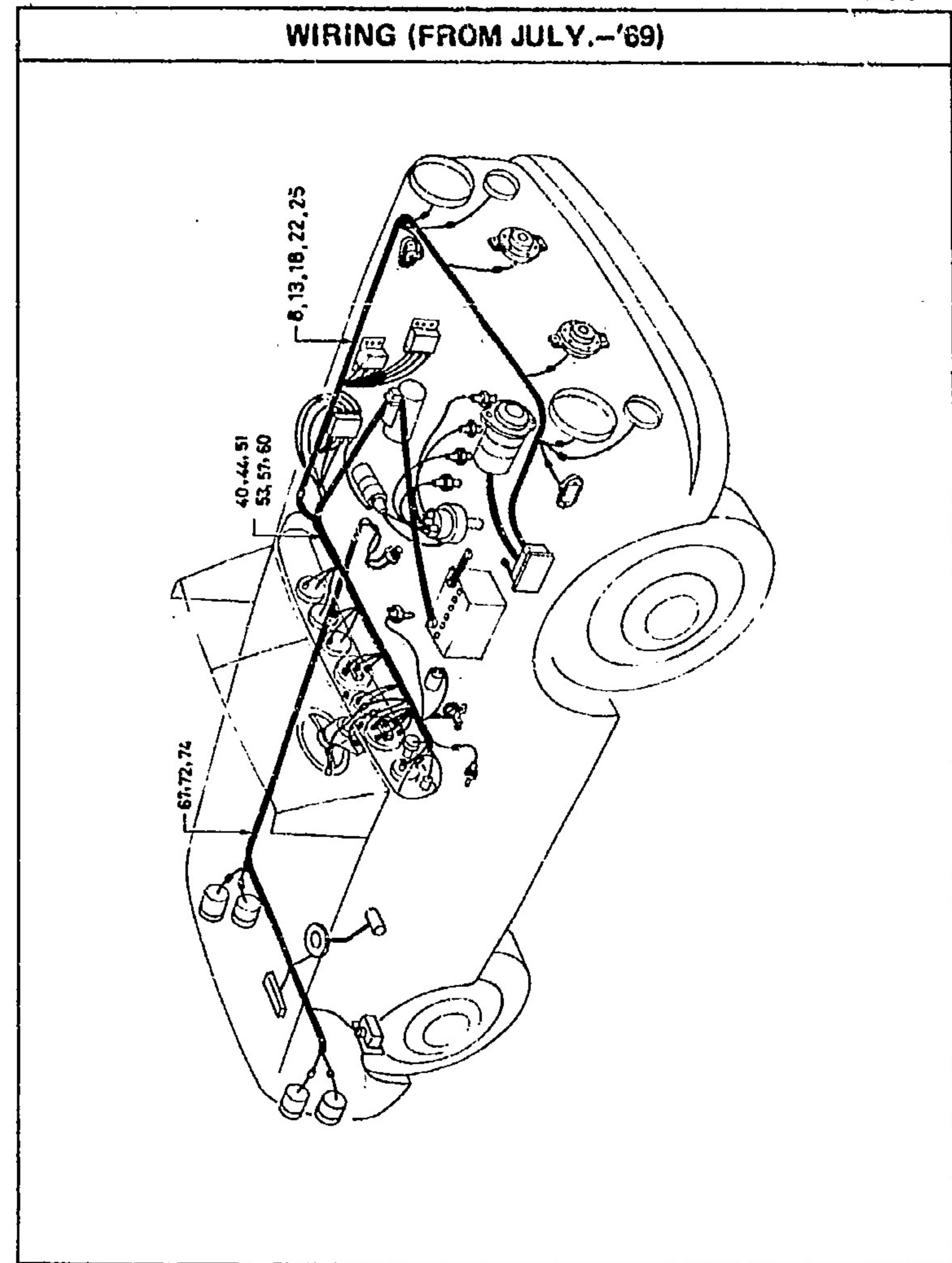
DECEMBER, 1969)

F22 - 1

Printed in Japan

NISSAN MOTOR CO., LTD.

FIG. 22-2



DECEMBER, 1969

F22-2

Printed in Japan

FIG. 22 L10 NISSAN MOTOR CO., LTD.

S	KEY NO.	PART NO.	PART NAME	QTY	SALES UNIT	MODEL	ICA
			WIRING				
	1	24012-14601	ENGINE ROOM HARNESS (T O C/P SPL311-S323,SP31 1-80)	1	1 1.6L		
	2	24012-14604	COMP.-CABLE,ENGINE ROO M HARNESS(FROM C/P SPL 311-003324 SP311-00081 1)	1	1 1.6L	N	
	3	24012-14610	ENGINE ROOM HARNESS (TO SEP-67)	1	1 1.6L	Y	
	4	24012-14611	ENGINE ROOM HARNESS (FROM OCT-67)	1	1 SP	M	
	5	24012-14701	ENGINE ROOM HARNESS (FROM OCT-67)	1	1 SPL	N	
	6	24012-A3203	ENGINE ROOM HARNESS (FROM OCT-68)	1	1 SP,SPL EXC USA & CANA DA	N	
	7	24012-A3207	ENGINE ROOM HARNESS (TO JUNE-69)	1	1 SP,SPL EXC USA & CANA DA	C	
	8	24012-A7501	ENGINE ROOM HARNESS (FROM JULY-69)	1	1 SP,SPL EXC USA & CANA DA	N	
	9	24012-25600	ENGINE ROOM HARNESS (TO SEP-67)	1	1 SR		
	10	24012-25901	ENGINE ROOM HARNESS (FROM OCT-67 TO SEP- 68)	1	1 SR	N	
	11	24012-A3202	ENGINE ROOM HARNESS (FROM OCT-68)	1	1 SP	N	
	12	24012-A3206	ENGINE ROOM HARNESS (TO JUNE-69)	1	1 SR	C	
	13	24012-A7500	ENGINE ROOM HARNESS (FROM JULY-69)	1	1 SR	N	

REVISED: SEPTEMBER, 1971

27 - 1

Printed in Japan

NISSAN MOTOR CO., LTD.

FIG. 22

S	KEY NO.	PART NO.	PART NAME	QTY	SALES UNIT	MODEL	ICA
	14	24012-25500	ENGINE ROOM HARNESS (TO SEP-67)	1	1 SRL		
	15	24012-26001	ENGINE ROOM HARNESS (FROM OCT-67 TO SEP- 68)	1	1 SRL	N	
	16	24012-A3302	ENGINE ROOM HARNESS (FROM OCT-68)	1	1 SRL EXC USA & CANA DA	N	
	17	24012-A3305	ENGINE ROOM HARNESS	1	1 SRL EXC USA & CANA DA	C	
	18	24012-A7801	ENGINE ROOM HARNESS (FROM JULY-69)	1	1 SRL EXC USA & CANA DA	N	
	19	24012-26000	ENGINE ROOM HARNESS (FROM OCT-67 TO SEP- 68)	1	1 USA	N	
	20	24012-A3301	ENGINE ROOM HARNESS (FROM OCT-68)	1	1 1.6L USA & CANADA	N	
	21	24012-A3304	ENGINE ROOM HARNESS (TO JUNE-69)	1	1 1.6L USA & CANADA	C	
	22	24012-A7700	ENGINE ROOM HARNESS (FROM JULY-69)	1	1 1.6L USA & CANADA	N	
	23	24012-A3300	ENGINE ROOM HARNESS (FROM OCT-68)	1	1 2L USA & CANADA	N	
	24	24012-A3303	ENGINE ROOM HARNESS (TO JUNE-69)	1	1 2L USA & CANADA	C	
	25	24012-A7800	ENGINE ROOM HARNESS (FROM JULY-69)	1	1 2L USA & CANADA	N	
	26	24149-14600	CABLE-REVERSE LAMP SW (TO SEP-67)	1	1 1.6L		
	27	24149-25501	CABLE-REVERSE LAMP SW (TO SEP-67)	1	1 2L		
	28	24149-14601	CABLE-REVERSE LAMP SW (FROM OCT-67 TO SEP- 68)	1	1 ALL	N	

REVISED: SEPTEMBER, 1971

27 - 2

Printed in Japan

FIG. 22 L11 NISSAN MOTOR CO., LTD.

S	KEY NO.	PART NO.	PART NAME	QTY	SALES UNIT	MODEL	ICA
	29	24149-14602	CABLE REVERSE LAMP SW (FROM OCT-68 TO JUNE-69)	1	1	1.6L	N
	30	24149-A7401	CABLE REVERSE LAMP SW (FROM JULY-69)	1	1	1.6L EXC EMISSION CONTROL	N
	31	24149-A7700	CABLE REVERSE LAMP SW (FROM JULY-69)	1	1	1.6L EMISSION CONTROL	N
	32	24149-14601	CABLE REVERSE LAMP SW (FROM OCT-68 TO JUNE-69)	1	1	2L	N
	33	24149-A7400	CABLE REVERSE LAMP SW (FROM JULY-69)	1	1	2L	N
	34	24013-14601	INSTRUMENT HARNESS (TO C/S SP311-8110)	1	1	SP	
	35	24013-14603	INSTRUMENT HARNESS (FR OMC/SP311-811 TO E/WR-40000)	1	1	SP	N
	36	24013-25500	INSTRUMENT HARNESS (FR OM E/WR-40001 TO SEP-67)	1	1	SP, SW	N
	37	24013-25900	INSTRUMENT HARNESS (FROM OCT-67 TO SEP-68)	1	1	SP	N
	38	24013-A3203	INSTRUMENT HARNESS (FROM OCT-68)	1	1	SP	N
	39	24013-A3207	INSTRUMENT HARNESS (TO JUNE-69)	1	1	SP	C
	40	24013-A7501	INSTRUMENT HARNESS (FROM JULY-69)	1	1	SP	N
	41	24013-25901	INSTRUMENT HARNESS (FROM OCT-67 TO SEP-68)	1	1	SP	N
	42	24013-A3202	INSTRUMENT HARNESS (FROM OCT-68)	1	1	SR	N

22 - 3

Printed in Japan

REVISED: SEPTEMBER, 1971

NISSAN MOTOR CO., LTD.

FIG. 22

S	KEY NO.	PART NO.	PART NAME	QTY	SALES UNIT	MODEL	ICA
	43	24013-A3206	INSTRUMENT HARNESS (TO JUNE-69)	1	1	SR	C
	44	24013-A7500	INSTRUMENT HARNESS (FROM JULY-69)	1	1	SR	N
	45	24013-14701	INSTRUMENT HARNESS (TO C/SP311-3323)	1	1	SPL	
	46	24013-14703	INSTRUMENT HARNESS (FR OMC/SP311-3324 TO E/WR-40000)	1	1	SPL	N
	47	24013-25600	INSTRUMENT HARNESS (FROM E/WR-40001 TO SEP-67)	1	1	L DRIVE	N
	48	24013-26000	INSTRUMENT HARNESS (FROM OCT-67 TO SEP-68)	1	1	1.6L L DRIVE	N
	49	24013-A3301	INSTRUMENT HARNESS (FROM OCT-68)	1	1	1.6L USA & CANADA	N
	50	24013-A3305	INSTRUMENT HARNESS (TO JUNE-69)	1	1	1.6L USA & CANADA	C
	51	24013-A7700	INSTRUMENT HARNESS (FROM JULY-69)	1	1	1.6L USA & CANADA	N
	52	24013-A3303	INST HARNESS FOR PASSING LIGHT (FROM OCT-68 TO JUNE-69)	1	1	1.6L L DRIVE	N
	53	24013-A7701	INSTRUMENT HARNESS FOR PASSING LIGHT (FROM JULY-69)	1	1	1.6L L DRIVE	N
	54	24013-26001	INSTRUMENT HARNESS (FROM OCT-67 TO SEP-68)	1	1	2L L DRIVE	N
	55	24013-A3300	INSTRUMENT HARNESS (FROM OCT-68)	1	1	2L USA & CANADA	N
	56	24013-A3304	INSTRUMENT HARNESS (TO JUNE-69)	1	1	2L USA & CANADA	C
	57	24013-A7800	INSTRUMENT HARNESS (FROM JULY-69)	1	1	2L USA & CANADA	N

22 - 4

Printed in Japan

REVISED: SEPTEMBER, 1971

FIG. 22 L12 NISSAN MOTOR CO., LTD.

S	KEY NO.	PART NO.	PART NAME	QTY	SALES UNIT	MODEL	ICA
	58	24013-A3302	INSTRUMENT HARNESS FOR PASSING LIGHT (FROM OCT-68)	1	1	2L L DRIVE EXC USA & CANADA	N
	59	24013-A3306	INSTRUMENT HARNESS FOR PASSING LIGHT (TO JUNE-69)	1	1	2L L DRIVE EXC USA & CANADA	C
	60	24013-A7801	INSTRUMENT HARNESS FOR PASSING LIGHT (FROM JULY-69)	1	1	2L L DRIVE EXC USA & CANADA	N
	61	24261-58000	BULB(12V-3W)	9	10	ALL	
	62	24713-89900	BULB(12V-3W)	9	10	ALL	Y
	63	24261-30100	BULB(12V-1.5W)	3	1	ALL	
	64	24014-14600	CHASSIS HARNESS (TO SEP-67)	1	1	SP,SR	
	65	24014-25900	CHASSIS HARNESS (FROM OCT-67 TO SEP-68)	1	1	SP SR	N
	66	24014-25901	CHASSIS HARNESS (FROM OCT-68 TO JUNE-69)	1	1	SP,SR	N
	67	24014-A7500	CHASSIS HARNESS (FROM JULY-69)	1	1	SP,SR	N
	68	24014-14700	CHASSIS HARNESS (TO E/R-90000)	1	1	SPL	
	69	24014-25600	CHASSIS HARNESS (FROM E/R-90001 TO SEP-67)	1	1	SPL,SRL	N
	70	24014-26000	CHASSIS HARNESS (FROM OCT-67 TO SEP-68)	1	1	L DRIVE	N
	71	24014-26000	CHASSIS HARNESS (FROM OCT-68 TO JUNE-69)	1	1	SPL,SRL	Y
	72	24014-A7801	CHASSIS HARNESS (FROM JULY-69)	1	1	SPL,SRL	N
	73	24014-A3300	CHASSIS HARNESS (FROM OCT-68 TO JUNE-69)	1	1	USA	N
	74	24014-A7800	CHASSIS HARNESS (FROM JULY-69)	1	1	USA & CANADA	N

NISSAN MOTOR CO., LTD.

FIG. 22

S	KEY NO.	PART NO.	PART NAME	QTY	SALES UNIT	MODEL	ICA
	75	00991-10600	GROMMET	2	10	ALL	
	76	24250-A7400	GROMMET WIRING (FROM JULY-69)	1	10	ALL	
	77	24251-A7400	ORDMET WIRING (FROM JULY-69)	1	10	ALL	
	78	24017-25900	CABLE-FUEL TANK GAUG (NOT ADOPTED)	1	1	ALL	
	79	24017-14600	CABLE-FUEL TANK GAUG	1	1	ALL	Y
	80	00314-41012	SCREW TO FIX CHASSIS & ENGINE HARNESS EARTH TO FRAME	2	90	ALL	
	81	01915-11410	WASHER-LOCK TO FIX CHASSIS & ENGINE HARNESS EARTH TO FRAME	2	50	ALL	
	82	24018-14601	HARNESS-STARTER TO INST HARNESS (TO SEP-67)	1	1	ALL	
	83	24018-25900	HARNESS STARTER TO INST HARNESS (FROM OCT-67)	1	1	ALL	N
	84	24018-A3200	HARNESS STARTER TO INSTRUMENT HARNESS	1	1	ALL	C
	85	24110-14600	ASSY-CABLE, STARTER MOTOR	1	1	SP	
	86	24110-14700	ASSY-CABLE, STARTER MOTOR	1	1	SPL	
	87	24110-25601	ASSY-CABLE, STARTER MOTOR (FROM E/R-90001 TO SEP-68)	1	1	ALL	N
	88	24110-25600	ASSY-CABLE, STARTER MOTOR (FROM OCT-68)	1	5	ALL EXC SR	
	89	24110-25601	ASSY-CABLE, STARTER MOTOR (FROM OCT-68)	1	1	SR	
	90	24080-14600	ASSY-CABLE, GROUND CONNECTION BATTERY	1	1	SP	

FIG. 22 L13 NISSAN MOTOR CO., LTD.

S KEY NO.	PART NO.	PART NAME	QTY	SALES UNIT	MODEL	ICA
91	24088-25600	ASSY-CABLE,GROUND CONNECTION BATTERY(FROM E/ # R-40001)	1	1 SP,SR		N
92	24088-A3301	ASSY CABLE,GROUND CONNECTION BATTERY (FROM OCT-68)	1	1 SP		
93	24088-A3201	ASSY CABLE,GROUND CONNECTION BATTERY (FROM OCT-68)	1	1 SR		
94	24088-14700	ASSY-CABLE,GROUND CONNECTION BATTERY	1	1 SPL		
95	24088-14710	ASSY-CABLE,GROUND CONNECTION BATTERY(FROM E/ # R-40001)	1	1 SPL SPLU SRL		N
96	24088-26000	CABLE-BATTERY EARTH (FROM OCT-67 TO SEP-68)	1	1 SRL SRLU		N
97	24088-A3301	ASSY CABLE,GROUND CONNECTION BATTERY (FROM OCT-68)	1	1 SPL,SRL		
99	24085-A3201	EARTH BOND	1	FRANCE		
99	24120-32200	ASSY-CABLE,GROUND CONNECTION,STARTER	1	5 ALL		
100	24023-14600	ASSY-HARNESS CONSOLE (TO SEP-67)	1	ALL EXC USA		
101	24023-14601	ASSY-HARNESS CONSOLE (FROM OCT-67 TO SEP-68)	1	1 ALL EXC USA		Y
102	24023-25900	ASSY-CABLE CONSOLE	1	1 USA OP,ALL EXC USA		
103	24023-25901	ASSY-CABLE CONSOLE (FROM OCT-67 TO SEP-68)	1	5 USA OP,ALL EXC USA		Y
104	24023-A3201	ASSY CABLE CONSOLE WITH HAZARD CIRCUIT(FROM OCT-68)	1	1 ALL EXC USA		N

REVISED: SEPTEMBER, 1971

22- 7

Printed in Japan

NISSAN MOTOR CO., LTD.

FIG. 22

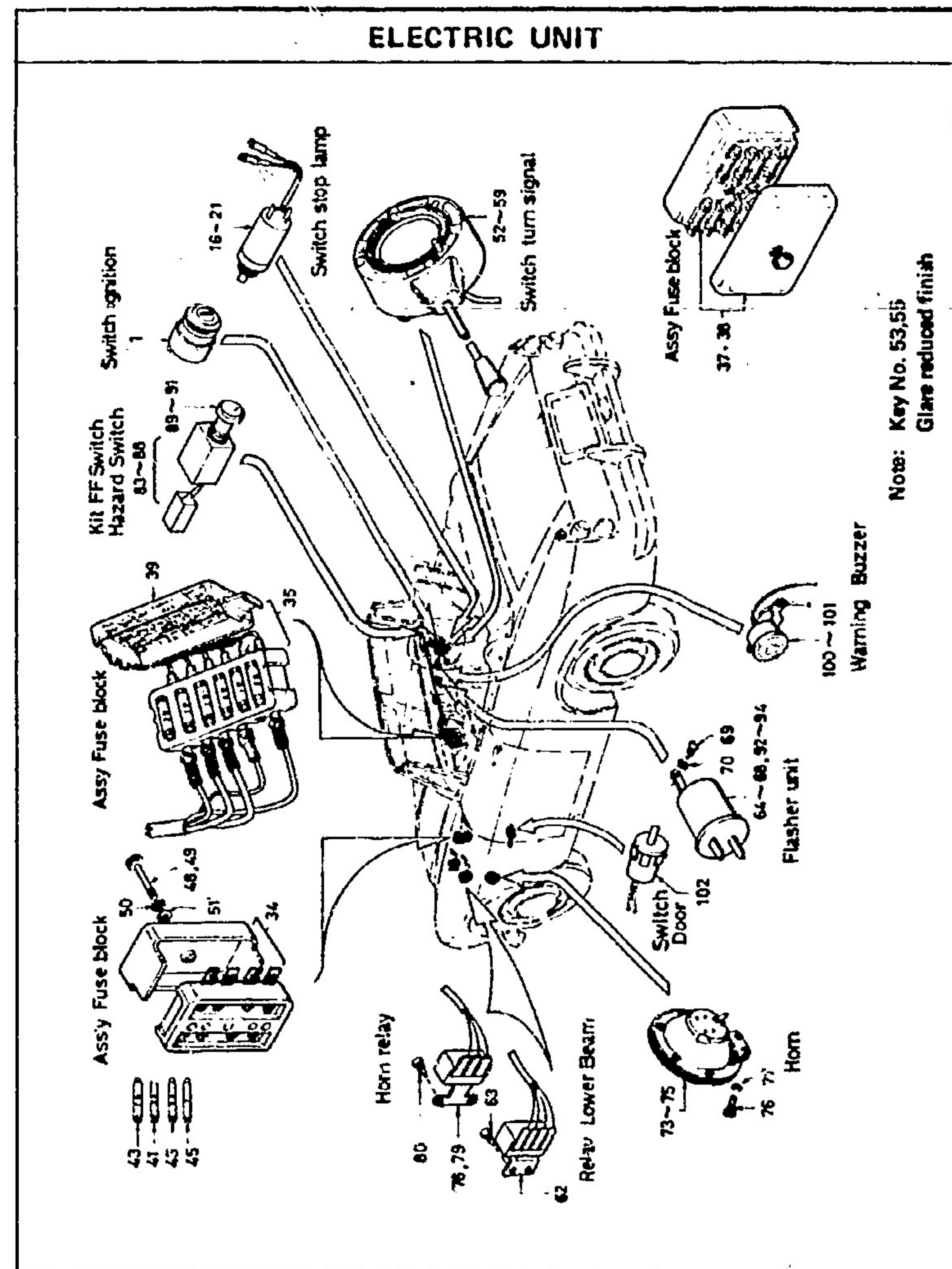
S KEY NO.	PART NO.	PART NAME	QTY	MODEL	ICA
105	24023-A3202	ASSY CABLE CONSOLE W/O HAZARD CIRCUIT(FROM OCT-68)	1	ALL EXC USA	
106	24023-A3300	ASSY CABLE CONSOLE (FROM OCT-68)	1	5 USA	N
107	00314-41212	SCREW	1	50 ALL	
108	00114-41210	BOLT	2	50 ALL	
109	00915-11410	WASHER-SPRING	2	50 ALL	
110	00915-41410	WASHER-PLAIN	2	50 ALL	
111	24028-76000	HARNESS THERMAL T/M	1	1 1.6L	
112	24070-25600	G/CONN TO ALTERNATOR	1	1 SR,A USA	

REVISED: SEPTEMBER, 1971

22- 8

Printed in Japan

FIG. 22A-1 L14 NISSAN MOTOR CO., LTD.



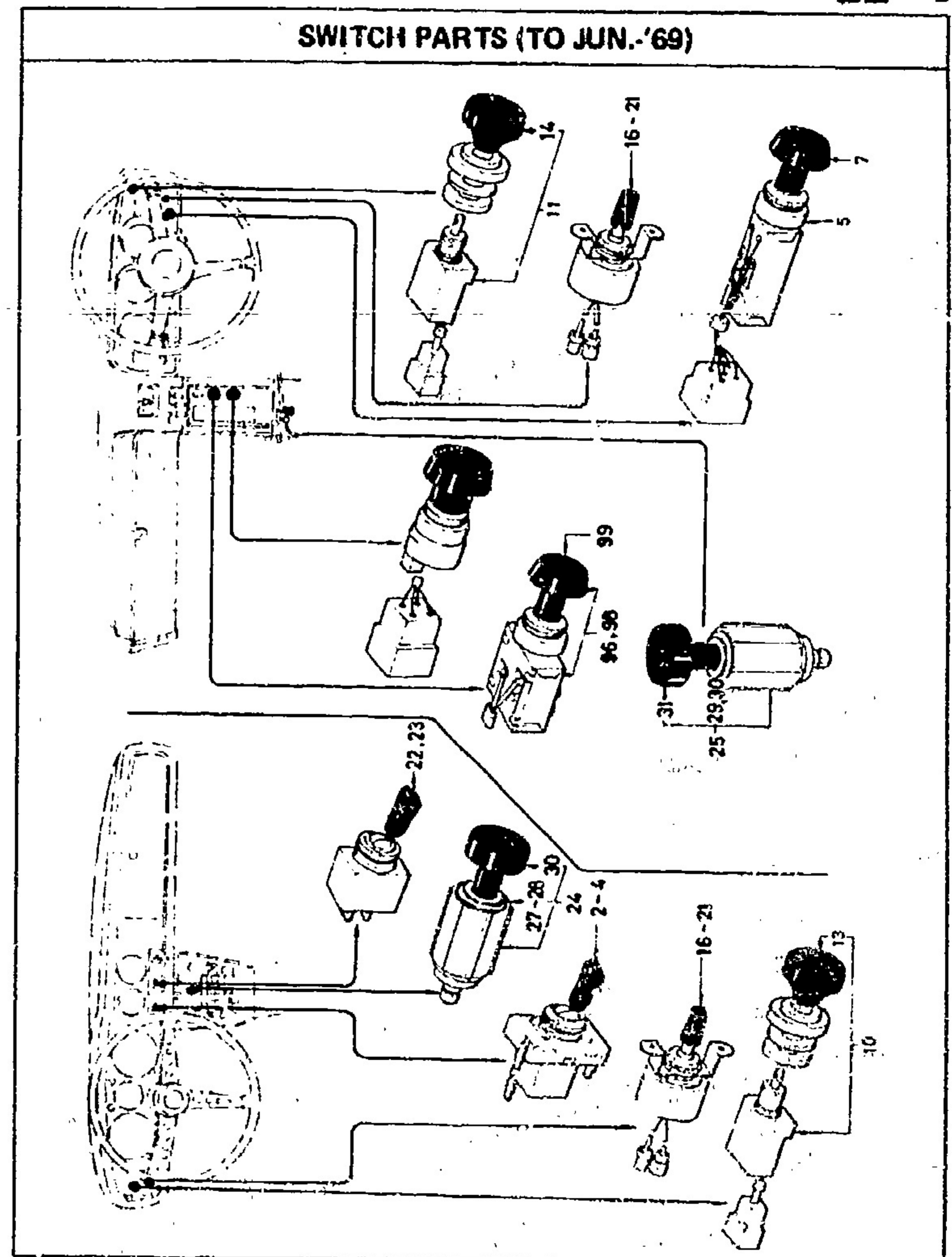
DECEMBER, 1971

F22A-1

Printed in Japan

NISSAN MOTOR CO., LTD.

FIG. 22A-2

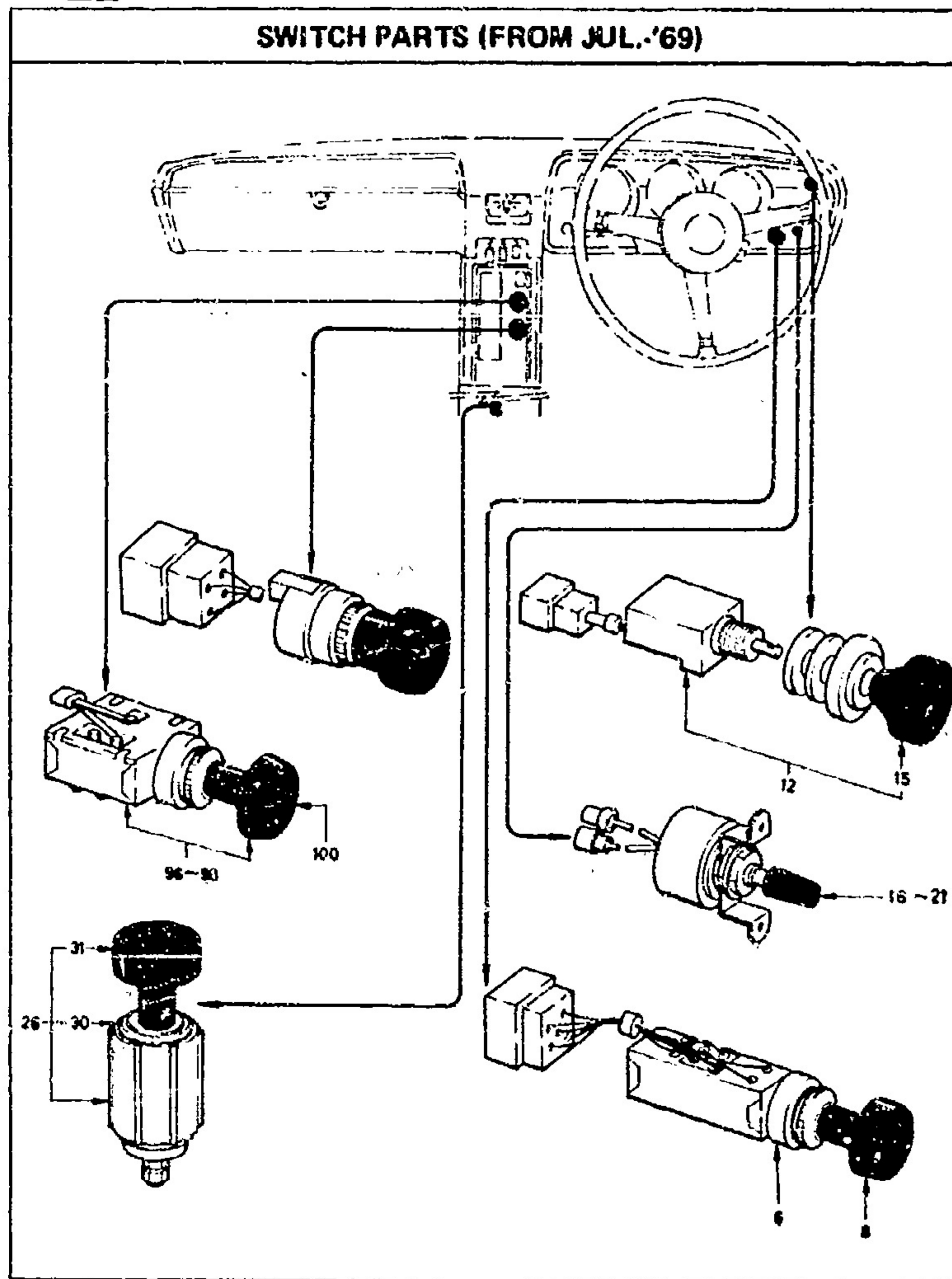


DECEMBER, 1971

F22A-2

Printed in Japan

FIG. 22A-3 L15 NISSAN MOTOR CO., LTD.



DECEMBER, 1971

F22A-3

Printed in Japan

NISSAN MOTOR CO., LTD.

FIG. 22A

S	KEY NO.	PART NO.	PART NAME	QTY	SALES UNIT	MODEL	ICA
ELECTRIC UNIT & SWITCH PARTS							
	1	25150-10600	COMP-SWITCH,IGNITION WITH KEY(TO E/R R-4000 1)	1	1 1.6L		
	2	25160-41500	COMP-SWITCH,LIGHTING (TO E/R R-40000)	1	1 2.0L		
	3	25160-25500	SWITCH-LIGHTING(FROM E/R R-40001 TO SEP-67)	1	1 ALL		N
	4	25160-25900	COMP-SWITCH,LIGHTING (FROM OCT-67 TO SEP-68)	1	1 ALL		N
	5	25160-A3200	COMP-SWITCH,LIGHTING (FROM OCT-68)	1	1 ALL		N
	6	25160-A7400	COMP-SWITCH,LIGHTING (FROM JULY-69)	1	1 ALL		Y
	7	25165-25900	KNOB-LIGHTING SW (FROM OCT-67)	1	5 ALL		
	8	25165-A7400	KNOB-LIGHTING SW (FROM JULY-69)	1	5 ALL		Y
	9	25160-41500	COMP-SWITCH,WIPER MOTO (TO E/R R-40000)	1	1 1.6L		
	10	25260-25500	SWITCH-WIPER & WASHER (FROM E/R R-40001 TO SEP-67)	1	2 ALL		N
	11	25260-25900	COMP-SWITCH,WIPER & WASHER (FROM OCT-67)	1	1 ALL		N
	12	25260-A7400	COMP-SWITCH,WIPER & WASHER (FROM JULY-69)	1	1 ALL		Y
	13	25265-13200	KNOB-WIPER & WASHER SW (TO SEP-67)	1	5 ALL		
	14	25265-25900	KNOB-WIPER & WASHER (FROM OCT-67)	1	5 ALL		N

REVISED: DECEMBER, 1971

22-A- 1

Printed in Japan

FIG. 22A L16 NISSAN MOTOR CO., LTD.

KEY NO.	PART NO.	PART NAME	QTY	SALES UNIT	MODEL	ICA
15	25245-A7400	KNOB-WIPER & WASHER (FROM JULY-69)	1	5	ALL	Y
• 16	25320-07700	COMP.-SWITCH, STOP LAMP FOR TANDEM BRAKE CYLINDER	1	10	1.6L	
• 17	25320-09900	COMP.-SWITCH, STOP LAMP FOR TANDEM BRAKE CYLINDER	1	10	1.6L	Y
• 18	25320-73000	COMP.-SWITCH, STOP LAMP FOR TANDEM BRAKE CYLINDER (FROM E/S N-40001)	1		ALL	N
19	25320-89910	COMP.-SWITCH, STOP LAMP FOR TANDEM BRAK CYLIND ER	1	1	ALL	Y
• 20	25320-73001	COMP.-SWITCH, STOP LAMP FOR TANDEM BRAK CYLIND ER	1	1	ALL	Y
21	25320-AA900	COMP.-SWITCH, STOP LAMP FOR TAND	1	1	ALL	Y
22	25370-61500	COMP.-SWITCH, FOG LAMP	1	1	OP, 1.6L	
23	25370-25500	COMP.-SWITCH, FOG LAMP (FROM E/S R-C0001)	1	1	OP, ALL	N
24	25330-10600	LIGHTER-CIGARETTE (TO SEP-67)	1	1	ALL	
• 25	25330-25900	LIGHTER-CIGARETTE (FROM OCT-67)	1	1	ALL	N
26	25330-A7400	LIGHTER-CIGARETTE (FROM JULY-69)	1	1	ALL	Y
• 27	05330-10601	ELEMENT WITH KNOB (TO SEP-67)	1	1	ALL	
28	05330-10602	ELEMENT WITH KNOB (TO SEP-67)	1	1	ALL	N
• 29	05330-25901	ELEMENT WITH KNOB (FROM OCT-67)	1	1	ALL	N
30	05330-A7401	ELEMENT WITH KNOB (FROM JULY-69)	1	1	ALL	Y

REVISED: DECEMBER, 1971

22-A- 2

Printed in Japan

NISSAN MOTOR CO., LTD.

FIG. 22A

KEY NO.	PART NO.	PART NAME	QTY	SALES UNIT	MODEL	ICA
• 31	25335-10600	ASSY-KNOB, CIGARETTE LIGHTER	1	5	ALL	
32	25330-10600	LIGHTER-CIGARETTE	1	1	ALL	Y
• 33	25335-A7400	ASSY-KNOB, CIGARETTE LIGHTER (FROM JUL-69) NOT FOR SALE	1	5	ALL	Y
34	25410-14300	ASSY-BLOCK, FUSE (TO SEP-67)	1	1	ALL	
35	25410-22000	ASSY-BLOCK, FUSE (FROM OCT-67 TO SEP-68)	1	1	ALL	N
• 36	25410-A3200	ASSY-BLOCK, FUSE (FROM OCT-68)	1	1	ALL	N
37	25410-A3250	ASSY-BLOCK, FUSE (FROM OCT-68)	1	1	R DRIVE	Y
38	25410-A3251	ASSY-BLOCK, FUSE (FROM OCT-68)	1	1	L DRIVE	N
39	25415-22000	COVER-FUSE BLOCK (FROM OCT-67)	1	1	ALL	
• 40	25463-50000	FUSE-30A	1	100	ALL	
41	25463-89901	FUSE-30A	1	100	ALL	Y
• 42	25462-50000	FUSE-20A	2	100	ALL	
• 43	25462-89901	FUSE-20A	2	10	ALL	Y
44	00941-12000	FUSE-20A	2		ALL	Y
• 45	25467-30800	FUSE-8A	1	1	ALL	
• 46	25470-89900	FUSE-8A	1	50	ALL	Y
47	00941-10800	FUSE-8A	1		ALL	Y
48	00314-02210	SCREW TO FIX FUSE BLOCK (TO SEP-68)	2	50	ALL	
49	00314-02510	SCREW TO FIX FUSE BLOCK (FROM OCT-68)	2	50	ALL	N
50	00915-11010	WASHER-LOCK TO FIX FUSE BLOCK (TO SEP-68)	2	50	ALL	

REVISED: DECEMBER, 1971

22-A- 3

Printed in Japan

FIG. 22A M1 NISSAN MOTOR CO., LTD.

S	KEY NO.	PART NO.	PART NAME	QTY	SALES UNIT	MODEL	ICA
	51	00919-41010	WASHER-PLAIN TO FIX FUSE BLOCK	2	50	ALL	
•	52	25540-12900	SWITCH-TURN & DIM (TO SEP-66)	1	1	SP SR	
	53	05540-12900	SWITCH-TURN & DIM (FROM OCT-66 TO SEP-67)	1	1	SP, SR	C
•	54	25540-13000	SWITCH-TURN & DIM (TO SEP-66)	1	1	SPL SRL	
	55	05540-13000	SWITCH-TURN & DIM (FROM OCT-66 TO SEP-67)	1	1	SPL, SRL	Y
	56	25540-25900	SWITCH-TURN & DIM (FROM OCT-67)	1	1	ALL EXC EUROPE	N
	57	25540-25901	SWITCH-TURN DIMMER & PASSING SIGNAL (FROM OCT-67)	1	1	EUROPE	
	58	25540-25900	SWITCH-TURN & DIMMER (FROM OCT-68)	1	1	ALL EXC USA	
	59	25540-A3200	SWITCH-TURN & DIMMER (FROM OCT-68)	1	1	USA	
•	60	25230-10600	COMP., RELAY, LOWER BEAM	1	1	ALL	
	61	25230-28000	COMP., RELAY, LOWER BEAM	1	1	ALL	Y
	62	25230-89905	COMP., RELAY, LOWER BEAM (FROM OCT-68)	1	1	ALL	N
	63	00511-21010	SCREW TO FIX RELAY	2	50	ALL	
	64	25520-33500	ASSY-FLASHER UNIT (12V)	1	5	ALL (EXC. AUSTRALIA)	
	65	25520-89901	ASSY-FLASHER UNIT (12V), AUDIABLE	1	5	SP SR (AUSTRALIA)	
	66	25520-89911	ASSY FLASHER UNIT 4WAY (FROM OCT-68)	1	5	ALL EXC USA & CANADA	
	67	25520-89904	ASSY FLASHER UNIT (FROM OCT-68)	1	5	USA & CANADA	

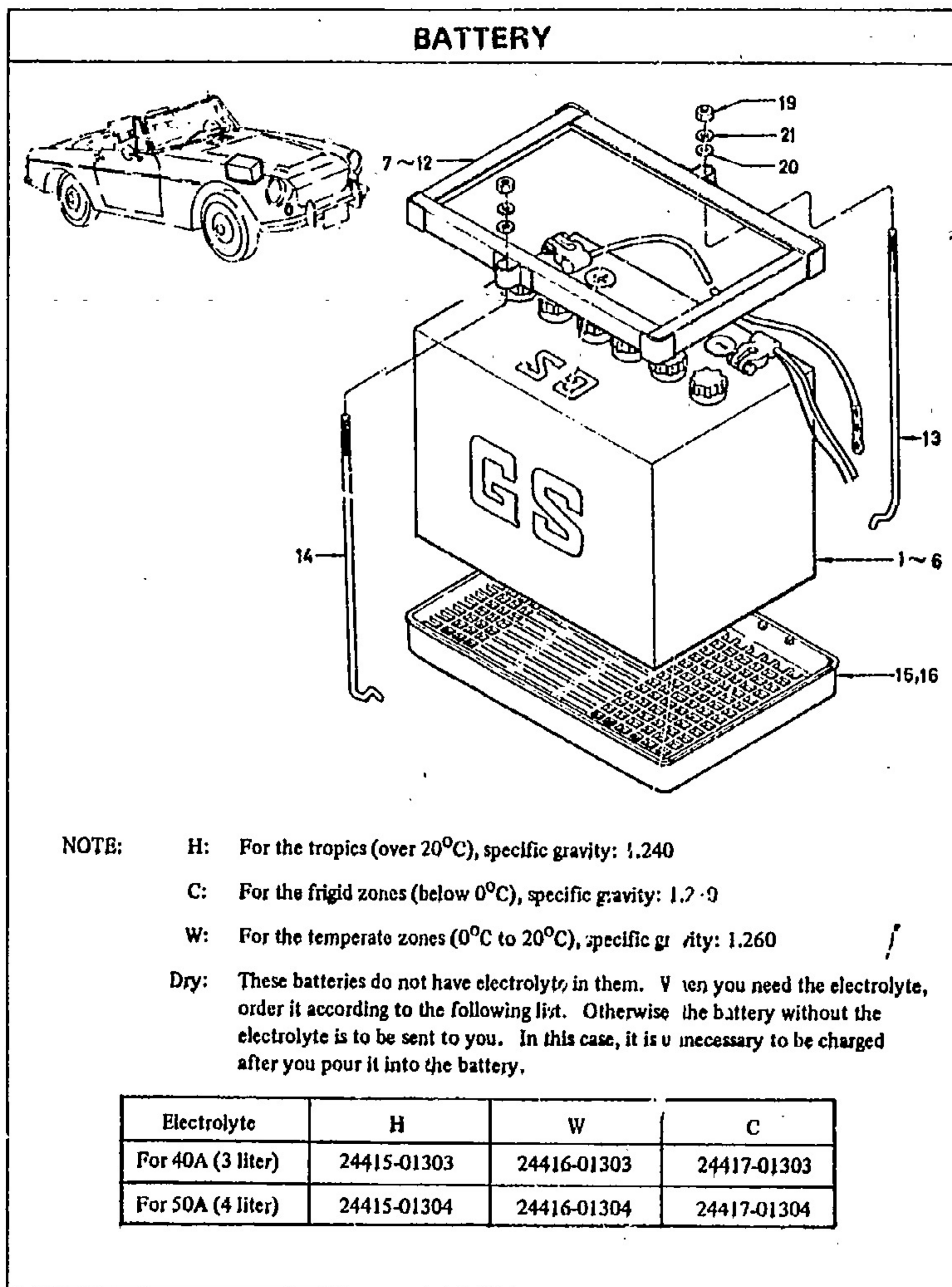
NISSAN MOTOR CO., LTD.

FIG. 22A

S	KEY NO.	PART NO.	PART NAME	QTY	SALES UNIT	MODEL	ICA
•	68	25520-89910	ASSY FLASHER UNIT 4WAY (FROM OCT-68)	1	1	USA & CANADA	
	69	00314-01010	SCREW TO FIX FLASHER UNIT	1	50	ALL	
	70	00915-11010	WASHER-LOCK TO FIX FLASHER UNIT	1	50	ALL	
•	71	26310-16300	ASSY-HORN, HIGH	1	1	1.6L	
	72	26310-14600	ASSY-HORN, HIGH (FROM F/R-40001)	1	1	ALL	Y
•	73	26330-16300	ASSY-HORN, LOW	1	1	1.6L	
•	74	26330-14600	ASSY-HORN, LOW	1	1	1.6L	Y
	75	26330-14601	ASSY-HORN, LOW (FROM E/R-40001)	1	1	ALL	Y
	76	00114-52210	BOLT TO FIX HORN	4	50	ALL	
	77	00915-11510	WASHER-LOCK TO FIX HORN	4	50	ALL	
	78	26320-14800	ASSY-RFLAY, HORN	1	1	ALL	
	79	25230-89903	ASSY-RELAY, HORN	1	1	ALL	N
	80	00511-21010	SCREW (TO FIX RELAY)	2	50	S, U, L,	
	81	25595-14610	KIT-FLASHER, 4-WAY	1	1	OP, SP, SR	
	82	25595-14611	KIT-FLASHER 4 WAY	1	1	OP SP SR	
	83	25910-25600	SWITCH-HAZARD WARNING (TO SEP-67)	1	50	OP, ALL	
•	84	25910-25900	SWITCH-HAZARD WARNING (FROM OCT-67 TO SEP-68)	1	1	OP ALL	N
•	85	25910-25900	SWITCH-HAZARD WARNING (FROM OCT-68)	1	1	OP, ALL EXC U.S.A. & CANADA	Y
	86	25910-A7500	SWITCH-HAZARD WARNING (FROM JULY-69)	1	1	OP, ALL EXC U.S.A. & CANADA	Y

FIG. 22A M2 NISSAN MOTOR CO., LTD.

KEY NO.	PART NO.	PART NAME	QTY	SALES UNIT	MODEL	ICA
87	25596-A3300	SWITCH-HAZARD WARNING (FROM OCT-68)	1	1	U.S.A. & CANADA	N
88	25596-A7800	SWITCH-HAZARD WARNING (FROM JULY-69)	1	1	U.S.A. & CANADA	Y
89	25165-25600	KNOB-HAZARD WARNING SW (TO SEP-67)	1	5	OP, ALL	
90	25915-25900	KNOB-HAZARD WARNING SW (FROM OCT-67)	1	5	OP ALL	N
91	25915-A7400	KNOB-HAZARD WARNING SW (FROM JULY-69)	1	5	OP, ALL	Y
92	25520-89910	ASSY-UNIT, FLASHER	1	1	OP, SP, SR (EXC AUSTRALIA) SPL, SRL	
93	25520-89911	ASSY-UNIT, FLASHER	1	5	OP, SP, SR (EXC AUSTRALIA) SPL, SRL	Y
94	25520-74100	ASSY-UNIT, FLASHER, AUDIBLE	1	1	OP, AUSTRALIA ONLY	
95	25597-14611	HARNES-HAZARD	1	1	OP SP SR	
96	25810-25900	SWITCH-BRAKE WARNING (FROM OCT-67)	1	1	ALL	
97	25810-A3200	SWITCH-BRAKE WARNING (FROM OCT-68) (NOT ADAPTED)	1		ALL	N
98	25810-25901	SWITCH-BRAKE WARNING	1	1	ALL	Y
99	25815-25900	KNOB-BRAKE WARNING SW (FROM OCT-67)	1	5	ALL	
100	24814-A7800	WARNING BUZZER (FROM JULY-69)	1	1	USA & CANADA	
101	24814-A7801	WARNING BUZZER	1	1	USA & CANADA	N
102	25360-89901	SWITCH DOOR (FROM JULY-69)	1	5	USA & CANADA	



KEY NO.	PART NO.	PART NAME	QTY	SALES UNIT	MODEL	ICA
BATTERY						
1	24410-09401	BATTERY(12V-40AH)H, DRY)	1	1	ALL	
2	24410-09403	BATTERY(12V-40AH)C, DRY)	1	1	ALL	
3	24410-09405	BATTERY(12V-40AH)H, DRY) (NOT FOR SALE)	1	1	ALL	
4	24410-03021	BATTERY(12V-50AH)H, DRY)	1	1	OP, ALL	
5	24410-03023	BATTERY(12V-50AH)C, DRY)	1	1	OP, ALL	
6	24410-03025	BATTERY(12V-50AH)H, DRY)	1	1	OP, ALL	
7	24420-14700	FRAME-BATTERY FIX	1	1	SR	
8	24420-A4500	FRAME-BATTERY FIX	1	1	SR	Y
9	24450-11200	FRAME-BATTERY FIX	1		SP	
10	24431-14001	FRAME-BATTERY FIX	1	1	SP	Y
11	24420-14701	FRAME-BATTERY FIX	1	1	L DRIVE	
12	24420-A7800	FRAME-BATTERY FIX	1	1	L DRIVE	Y
13	24422-07300	ROD-BATTERY SUPPORT	1	5	ALL	
14	24422-35001	ROD-BATTERY SUPPORT (LONG)	1	5	ALL	
15	24428-03020	TRAY-BATTERY	1		L DRIVE, SR	
16	24428-09400	TRAY-BATTERY	1		SP	
17	24428-A7500	TRAY-BATTERY	1	1	SR	
18	24428-A7800	TRAY-BATTERY	1	1	L DRIVE, SP	
19	00911-14410	NUT-HEX	2	50	ALL	

FIG. 22B M4 NISSAN MOTOR CO., LTD.

S	KEY NO.	PART NO.	PART NAME	QTY	SALES UNIT	MODEL	ICA
	20	00915-41410	WASHER-PLAIN	2	50	ALL	
	21	00915-11410	WASHER-LOCK	2	50	ALL	

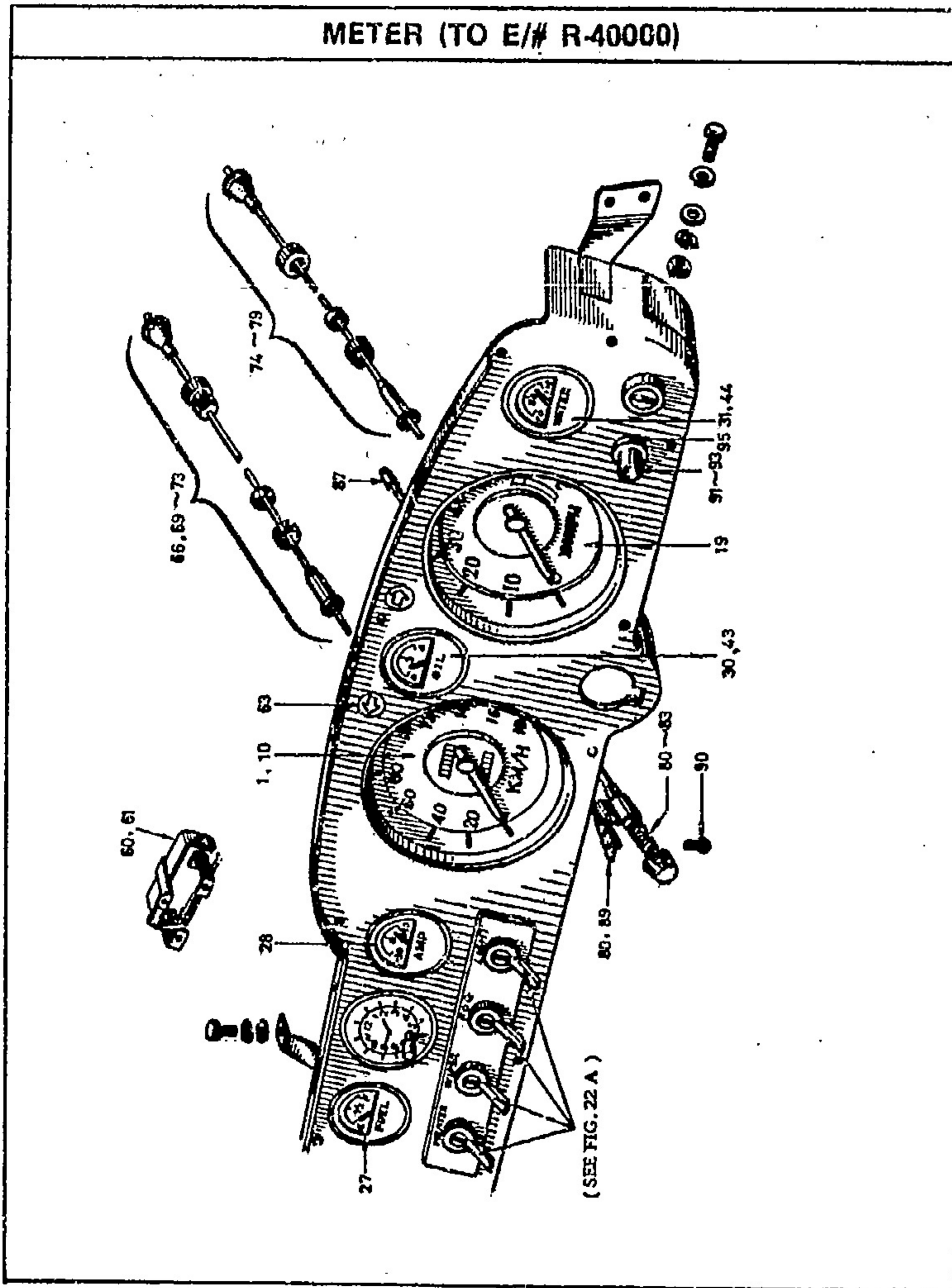
REVISED: MARCH, 1971

22-B- 2

Printed in Japan

FIG. 23-1 M5 NISSAN MOTOR CO., LTD.

METER (TO E/# R-40000)



DECEMBER, 1970

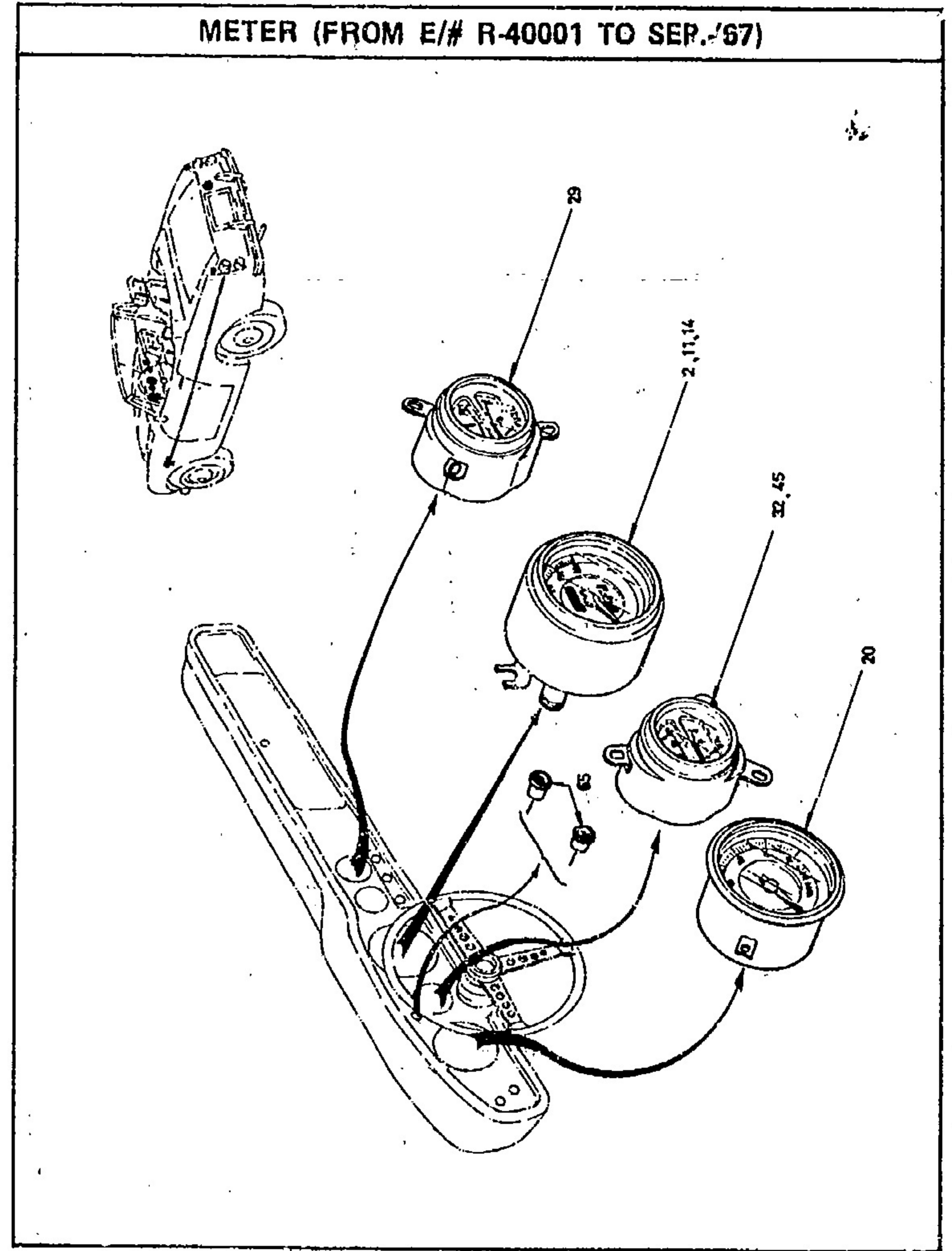
F23 - 1

Printed in Japan

NISSAN MOTOR CO., LTD.

FIG. 23-2

METER (FROM E/# R-40001 TO SEP./67)



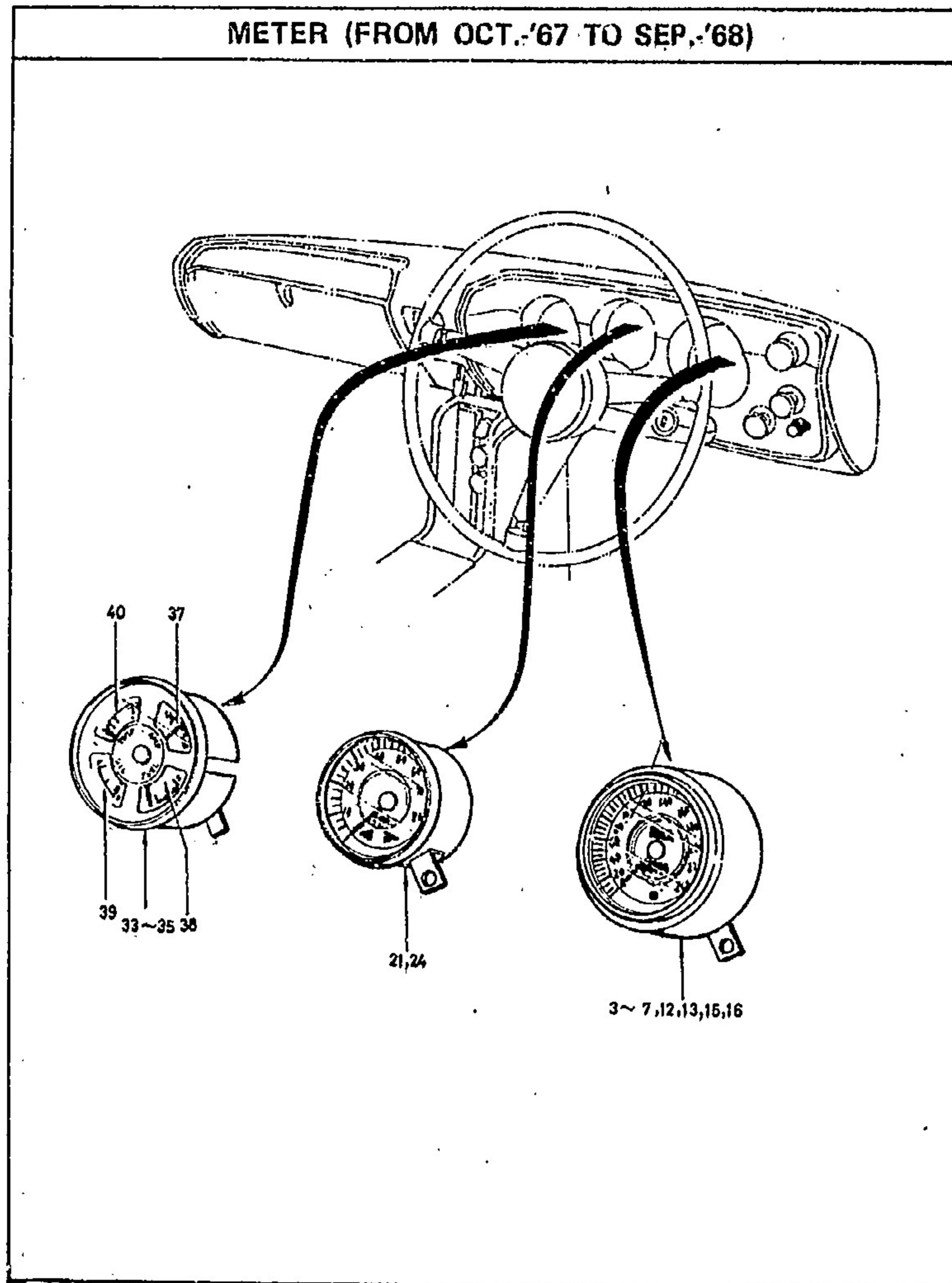
DECEMBER, 1970

F23 - 2

Printed in Japan

FIG. 23-3 M16 NISSAN MOTOR CO., LTD.

METER (FROM OCT.'67 TO SEP.'68)



DECEMBER, 1970

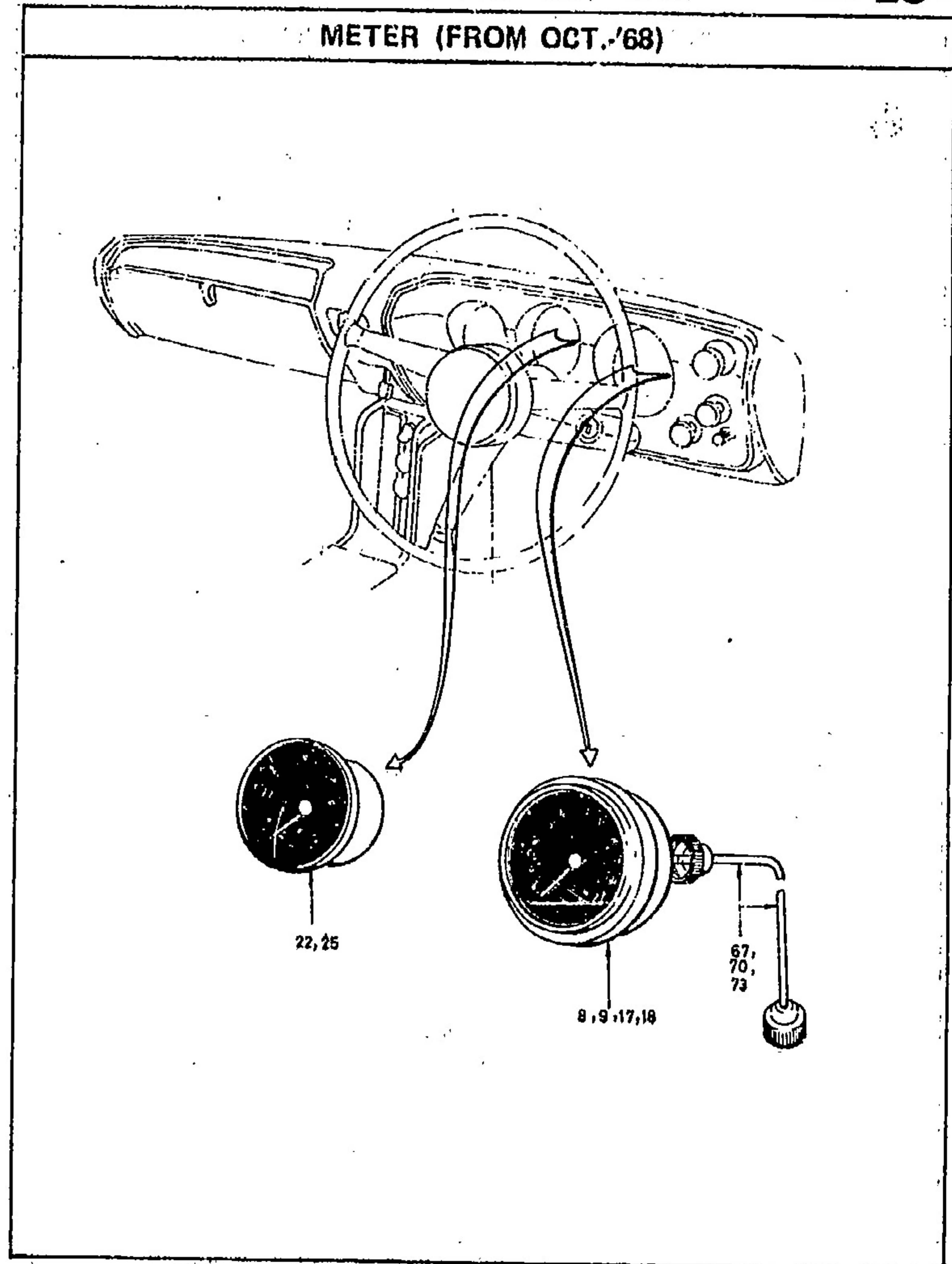
F23 - 3

Printed in Japan

NISSAN MOTOR CO., LTD.

FIG. 23-4

METER (FROM OCT.'68)

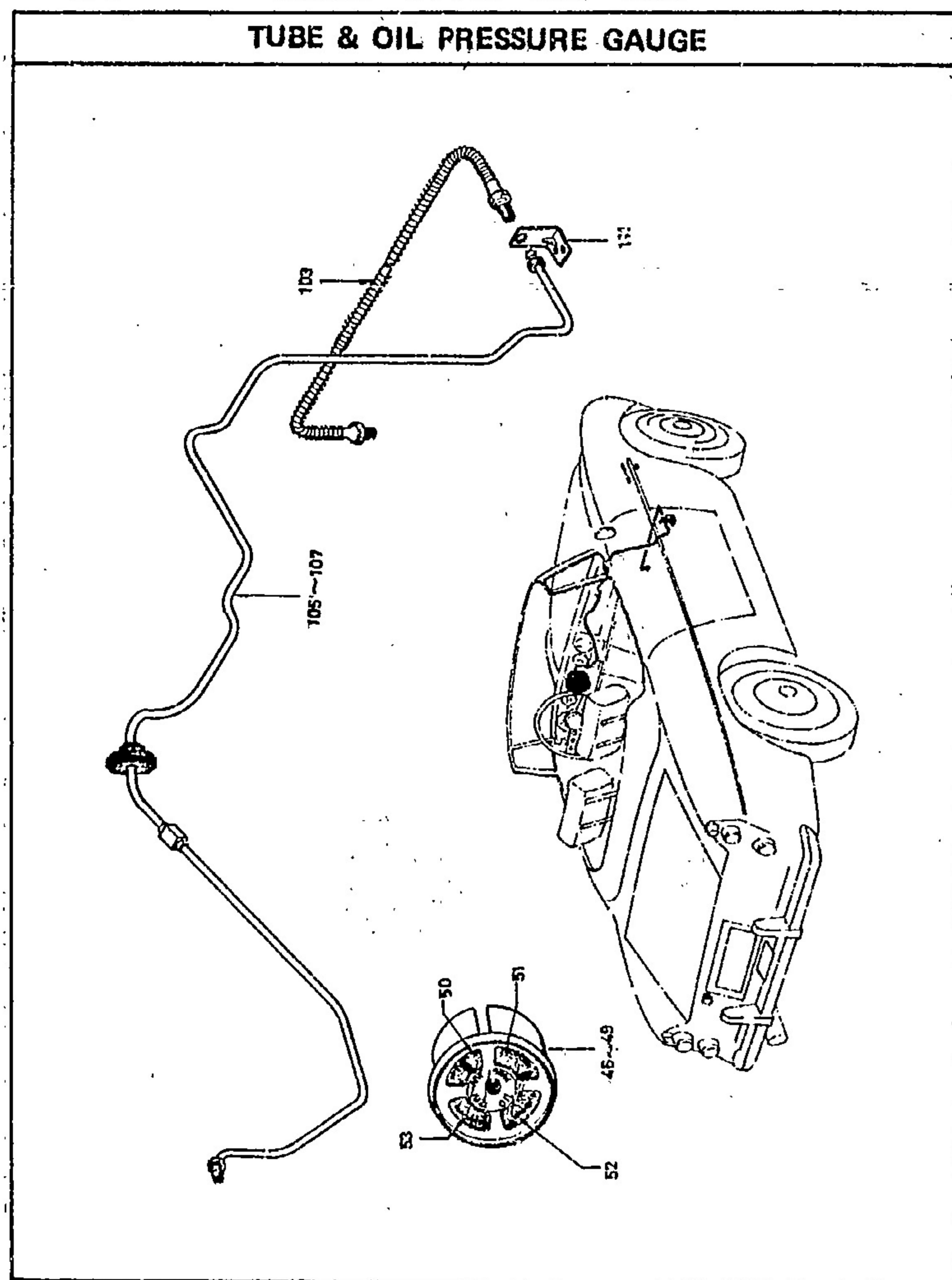


DECEMBER, 1970

F23 - 4

Printed in Japan

FIG. 23-5 M7 NISSAN MOTOR CO., LTD.



DECEMBER, 1970

F23-5

Printed in Japan

NISSAN MOTOR CO., LTD.

FIG. 23

KEY NO.	PART NO.	PART NAME	QTY	SALES UNIT	MODEL	ICA
METER, TUBE & OIL PRESSURE GAUGE						
1	25050-12900	ASSY-SPEEDOMETER(KM) (TO E/R R=40000)	1	3	1,6L(KH AP EA)	
2	25050-14611	ASSY-SPEEDOMETER(KM)(FRM E/R R=40001 TO SEP-67)	1	1	1,6L(KH AP EA)	
3	25050-14612	ASSY-SPEEDOMETER (180KM) (FROM OCT-67 TO SEP-68)	1	1	SP	
4	25050-14712	ASSY-SPEEDOMETER (180KM) (FROM OCT-67 TO SEP-68)	1	1	SPL	N
5	25050-25501	ASSY-SPEEDOMETER (240KM) (FROM OCT-67 TO SEP-68)	1	1	2L(KH AP EA)	
6	25050-25900	ASSY-SPEEDOMETER (240KM) (FROM OCT-67 TO SEP-68)	1	1	SP	N
7	25050-26000	ASSY-SPEEDOMETER (240KM) (FROM OCT-67)	1	1	SPL	N
8	25050-A3202	ASSY-SPEEDOMETER (240KM) (FROM OCT-68)	1	1	SP, SR	Y
9	25050-A3303	ASSY-SPEEDOMETER (240KM) (FROM OCT-68)	1	1	SPL, SPL, SPLU, SPLU	Y
10	25050-13000	ASSY-SPEEDOMETER(MILE) (TO E/R R=40000)	1	1	1,6L (MILE AREA)	
11	25050-14711	ASSY-SPEEDOMETER(MILE) (FROM E/R R=40001 TO SEP-67)	1	1	1,6L (MILE AREA)	
12	25050-14613	ASSY-SPEEDOMETER (120MILE) (FROM OCT-67)	1	1	SP	
13	25050-14713	ASSY-SPEEDOMETER (120MILE) (FROM OCT-67)	1	1	SPL, SPLU	

REVISED: MARCH, 1971

23-1

Printed in Japan

FIG. 23 M8 NISSAN MOTOR CO., LTD.

S	KEY NO.	PART NO.	PART NAME	QTY	SALES UNIT	MODEL	ICA
	14	25050-25601	ASSY-SPEEDOMETER(MILE) (TO SEP-67)	1	1	2L(MILE AREA)	
*	15	25050-25901	ASSY-SPEEDOMETER(160MILE) (FROM OCT-67)	1	1	SR	N
*	16	25050-26001	ASSY-SPEEDOMETER(160MILE) (FROM OCT-67)	1	1	SRL, SRLU	N
	17	25050-A3203	ASSY-SPEEDOMETER (140 MILE) (FROM OCT-68)	1	1	SP, SR	Y
	18	25050-A3302	ASSY-SPEEDOMETER (140 MILE) (FROM OCT-68)	1	1	SPL, SPL, SPLU, SRLU	Y
	19	25052-14600	ASSY-TACHOMETER (TO E/ # R-40000)	1	1	1.6L	
	20	25052-14611	ASSY-TACHOMETER (FROM E/# R-40001 TO SEP-67)	1	1	1.6L	N
	21	25052-14612	ASSY-TACHOMETER (FROM OCT-67 TO SEP-68)	1	1	1.6L	N
	22	25052-A3203	ASSY-TACHOMETER (FROM OCT-68)	1	1	1.6L	Y
	23	25052-25501	ASSY-TACHOMETER (TO SEP-67)	1	1	2L	
*	24	25052-25900	ASSY-TACHOMETER (FROM OCT-67 TO SEP-68)	1	1	2L	
	25	25052-A3202	ASSY-TACHOMETER (FROM OCT-68)	1	1	2L	Y
	26	25040-12900	BRACKET-METER MOUNTING	1	1	ALL	
	27	24860-14600	GAUGE-FUEL, DASH (TO E/ # R-40000)	1	1	1.6L	
	28	25065-12900	ASSY-AMMETER (TO E/ R-40000)	1	1	1.6L	
	29	25065-25500	GAUGE-COMBI, FUEL & AMMETER (FROM E/#R-40001 TO SEP-67)	1	1	ALL	N
	30	25070-12600	GAUGE-OIL PRESSURE, DASH (TO E/# R-40000)	1	1	1.6L (KH AREA)	

23- - 2

Printed in Japan

REVISED: MARCH, 1971

NISSAN MOTOR CO., LTD.

FIG. 23

S	KEY NO.	PART NO.	PART NAME	QTY	SALES UNIT	MODEL	ICA
	31	24880-14601	GAUGE-WATER TEMP (TO E/ # R-40000) DASH	1	1	1.6L (KH AREA)	
	32	25070-25500	GAUGE-COMBI, OIL & WATER (FROM E/#R-40001 TO SEP-67)	1	1	ALL (KH AREA)	N
*	33	25070-25900	COMBINED GAUGES (FROM OCT-67 TO SEP-68)	1	1	R DRIVE (KH AREA)	N
	34	25070-A3202	COMBINED GAUGES (FROM OCT-68)	1	1	R DRIVE (KH AREA)	Y
*	35	25070-26000	COMBINED GAUGES (FROM OCT-67 TO SEP-68)	1	1	L DRIVE (KH AREA)	N
	36	25070-A3303	COMBINED GAUGES (FROM OCT-68)	1	1	L DRIVE (KH AREA)	Y
	37	24845-25900	ASSY-AMMETER (FROM OCT -67)	1	1	ALL (KH AREA)	
	38	24860-25900	GAUGE-FUEL, DASH (FROM OCT-67)	1	1	ALL (KH AREA)	
	39	24870-25900	GAUGE-OIL PRESSURE DASH (FROM OCT-67)	1	1	ALL (KH AREA)	
	40	24880-25900	GAUGE-WATER TEMP, DASH (FROM OCT-67)	1	1	ALL (KH AREA)	
	41	25070-A3202	COMBINED GAUGES (FROM OCT-68)	1	1	R DRIVE (KH AREA)	Y
	42	25070-A3303	COMBINED GAUGES (FROM OCT-68)	1	1	L DRIVE (KH AREA)	Y
	43	25070-13000	GAUGE-OIL PRESSURE DASH (TO E/# R-40000)	1	1	1.6L (MILE AREA)	
	44	24880-14701	GAUGE-WATER TEMP DASH (TO E/# R-40000)	1	1	1.6L (MILE AREA)	
	45	25070-25600	GAUGE-COMBI, OIL & WATER (FROM E/#R-40001 TO SEP-67)	1	1	ALL (MILE AREA)	
*	46	25070-14612	COMBINED GAUGES (FROM OCT-67 TO SEP-68)	1	1	R DRIVE (MILE AREA)	N

23- - 3

Printed in Japan

REVISED: MARCH, 1971

FIG. 23 M9 NISSAN MOTOR CO., LTD.

S	KEY NO.	PART NO.	PART NAME	QTY	SALES UNIT	MODEL	ICA
	47	25070-13203	COMBINED GAUGES (FROM OCT-68)	1	1	R DRIVE (MILE AREA)	Y
	48	25070-14712	COMBINED GAUGE (FROM OCT-67 TO SEP-68)	1	1	L DRIVE (MILE AREA)	N
	49	25070-13302	COMBINED GAUGES (FROM OCT-68)	1	1	L DRIVE (MILE AREA)	Y
	50	24845-25900	ASSY-AMMETER (FROM OCT-67)	1	1	ALL (MILE AREA)	
	51	24860-25900	GAUGE-FUEL DASH (FROM OCT-67)	1	1	ALL (MILE AREA)	
	52	24870-26000	GAUGE-OIL PRESSURE DASH (FROM OCT-67)	1	1	ALL (MILE AREA)	
	53	24880-26000	GAUGE-WATER TEMP DASH (FROM OCT-67)	1	1	ALL (MILE AREA)	
	54	25070-13203	COMBINED GAUGES (FROM OCT-68)	1	1	R DRIVE (MILE AREA)	Y
	55	25070-13302	COMBINED GAUGES (FROM OCT-68)	1	1	L DRIVE (MILE AREA)	Y
	56	25078-32200	ASSY-GAUGE, OIL PRESSURE, ENGINE SIDE	1	1	ALL	
	57	25080-62200	COMP. TRANSMITTER, THERMAL, ENGINE SIDE	1	5	ALL	
	58	25251-30100	NUT-GRAND, THERMAL	1	10	1.6L	
	59	25251-37700	NUT-GRAND, THERMAL (FROM E/A R-40001)	1	10	ALL	N
	60	25020-14600	REGULATOR-VOLT, FUEL & WATER GAUGE (TO SEP-67)	1	1	ALL	

REVISED: MARCH, 1971

23- - 4

Printed in Japan

NISSAN MOTOR CO., LTD.

FIG. 23

S	KEY NO.	PART NO.	PART NAME	QTY	SALES UNIT	MODEL	ICA
	61	25020-25900	REGULATOR-VOLT, FUEL & WATER GAUGE (FROM OCT-67)	1	1	ALL	
	62	25041-12900	BACKET-GAUGE MOUNTING (TO E/A R-40000)	2	1	1.6L	
	63	26460-12900	ASSY-LAMP, TURN WARNING	2	1	1.6L	
	64	26460-25500	ASSY-LAMP, TURN WARNING (FROM E/A R-40001 TO SEP-67)	2	5	ALL	
	65	26463-12900	LENS-TURN WARNING (TO SEP-67)	2	2	ALL	
	66	25050-89916	ASSY-SHAFT, FLEXIBLE, SP SPEEDOMETER (1600H/M) (TO SEP-68)	1	1	5P	
	67	25055-13201	ASSY-SHAFT, FLEXIBLE, SP SPEEDOMETER (1600H/M) (FROM OCT-68)	1	1	5P	Y
	68	85050-89916	CABLE-INNER	1	1	5P	
	69	25050-89917	ASSY-SHAFT, FLEXIBLE, SP SPEEDOMETER (1700H/M) (TO SEP-68)	1	1	5R	
	70	25055-13200	ASSY-SHAFT, FLEXIBLE, SP SPEEDOMETER (1700H/M) (FROM OCT-68)	1	1	5R	Y
	71	25050-89918	ASSY-SHAFT, FLEXIBLE, SP SPEEDOMETER (1800H/M) (TO SEP-68)	1	1	5PL	
	72	25050-89919	ASSY-SHAFT, FLEXIBLE, SP SPEEDOMETER (1900H/M) (TO SEP-68)	1	1	5RL	
	73	25055-13300	ASSY-SHAFT, FLEXIBLE, SP SPEEDOMETER (11900) (FROM OCT-68)	1	1	L DRIVE	Y
	74	25050-89908	ASSY-SHAFT, TACHOMETER 800HM (TO SEP-67)	1	5	5P	
	75	25057-25500	ASSY-SHAFT, TACHOMETER 800HM (TO SEP-67)	1	1	5R	

REVISED: MARCH, 1971

23- - 5

Printed in Japan

FIG. 23 M10 NISSAN MOTOR CO., LTD.

S	KEY NO.	PART NO.	PART NAME	QTY	SALES UNIT	MODEL	ICA
	76	25050-69908	ASSY-SHAFT, TACHOMETER ROOMM (TO SEP-68)	1	5	R DRIVE	Y
	77	25055-13202	ASSY-SHAFT, TACHOMETER ROOMM (FROM OCT-68)	1	1	R DRIVE	Y
	78	25050-89910	ASSY-SHAFT, TACHOMETER (1,000/RH) (TO SEP-66)	1	1	L DRIVE	
	79	25055-13301	ASSY-SHAFT, TACHOMETER (1,000/RH) (FROM OCT-66)	1	1	L DRIVE	Y
	80	25056-12900	ASSY-SHAFT, TRIP RESET (TO E/P R-40000)	1	1	SP	
	81	25056-25500	ASSY-SHAFT, TRIP RESET (FROM E/P R-40001 TO SEP-67)	1	2	R DRIVE	N
	82	25056-25901	ASSY-SHAFT, TRIP RESET (FROM OCT-67)	1	1	R DRIVE	N
	83	25056-12900	ASSY-SHAFT, TRIP RESET (TO E/P R-40000)	1	1	SPL	
	84	25056-25600	ASSY-SHAFT, TRIP RESET (FROM E/P R-40001 TO SEP-67)	1	2	SPL, SRL	N
	85	25056-26001	ASSY-SHAFT, TRIP RESET (L 270) (FROM OCT-67)	1	1	L DRIVE	N
	86	25056-13300	ASSY-SHAFT, TRIP RESET (L 450) (FROM OCT-67)	1	1	L DRIVE	Y
	87	25056-25901	KNOB-RESET CABLE (FROM OCT-67)	1	10	ALL	
	88	25046-12901	BRACKET-RESET CABLE	1	5	SP	
	89	25046-12900	BRACKET-RESET CABLE	1	1	SPL	
	90	00313-01010	SCREW	2	50	ALL	
	91	25950-12900	RHEOSTAT-LAMP CONTROL (TO E/P R-40000)	1	1	L, 6L	N
	92	25950-25500	RHEOSTAT-LAMP CONTROL (FROM E/P R-40001 TO SEP-67)	1	1	ALL	N

REVISED: "APR", 1971

23 - 6

Printed in Japan

NISSAN MOTOR CO., LTD.

FIG. 23

S	KEY NO.	PART NO.	PART NAME	QTY	SALES UNIT	MODEL	ICA
	93	25950-25900	RHEOSTAT-LAMP CONTROL (FROM OCT-67)	1	1	ALL	
	94	25950-13200	RHEOSTAT-LAMP CONTROL (FROM OCT-67)	1	1	ALL	Y
	95	25955-12900	KNOB-RHEOSTAT	1	5	ALL	
	96	25056-25901	KNOB-RESET CABLE	1	10	ALL	Y
	97	25954-12900	FLUTCHION-RHEOSTAT	1	1	ALL	
	98	25953-12900	SPACER-RHEOSTAT	1	1	ALL	
	99	00314-01010	SCREW TO FIX REGULATOR	2	50	ALL	
	100	00315-11010	WASHER-LOCK TO FIX REGULATOR	2	50	ALL	
	101	26420-25900	ASSY-LAMP, BRAKE WARNING (FROM OCT-67 TO SEP-67)	1	1	ALL	
	102	26420-13200	ASSY-LAMP, BRAKE WARNING (FROM OCT-68)	1	1	ALL	Y
	103	25079-25900	HOSE-OIL PRESSURE GAUGE (FROM OCT-67)	1	5	ALL	
	104	25075-25901	TUBE-OIL PRESSURE GAUGE (NOT ADOPTED)	1	1	SP SK	
	105	25075-25900	TUBE-OIL PRESSURE GAUGE	1		SP SK	Y
	106	25075-25902	TUBE-OIL PRESSURE GAUGE	1		SP SK	Y
	107	25075-26001	TUBE-OIL PRESSURE GAUGE (FROM OCT-67)	1	1	L DRIVE	
	108	46201-61000	SPRING-LOCK, HOSE (FROM OCT-67)	1	1	ALL	
	109	46201-69000	SPRING-LOCK, HOSE (FROM OCT-67)	1	2	ALL	Y
	110	46205-61000	PLATE-LOCK, HOSE (FROM OCT-67)	1	10	ALL	

REVISED: "MARCH", 1971

23 - 7

Printed in Japan

FIG. 23 M11 NISSAN MOTOR CO., LTD.

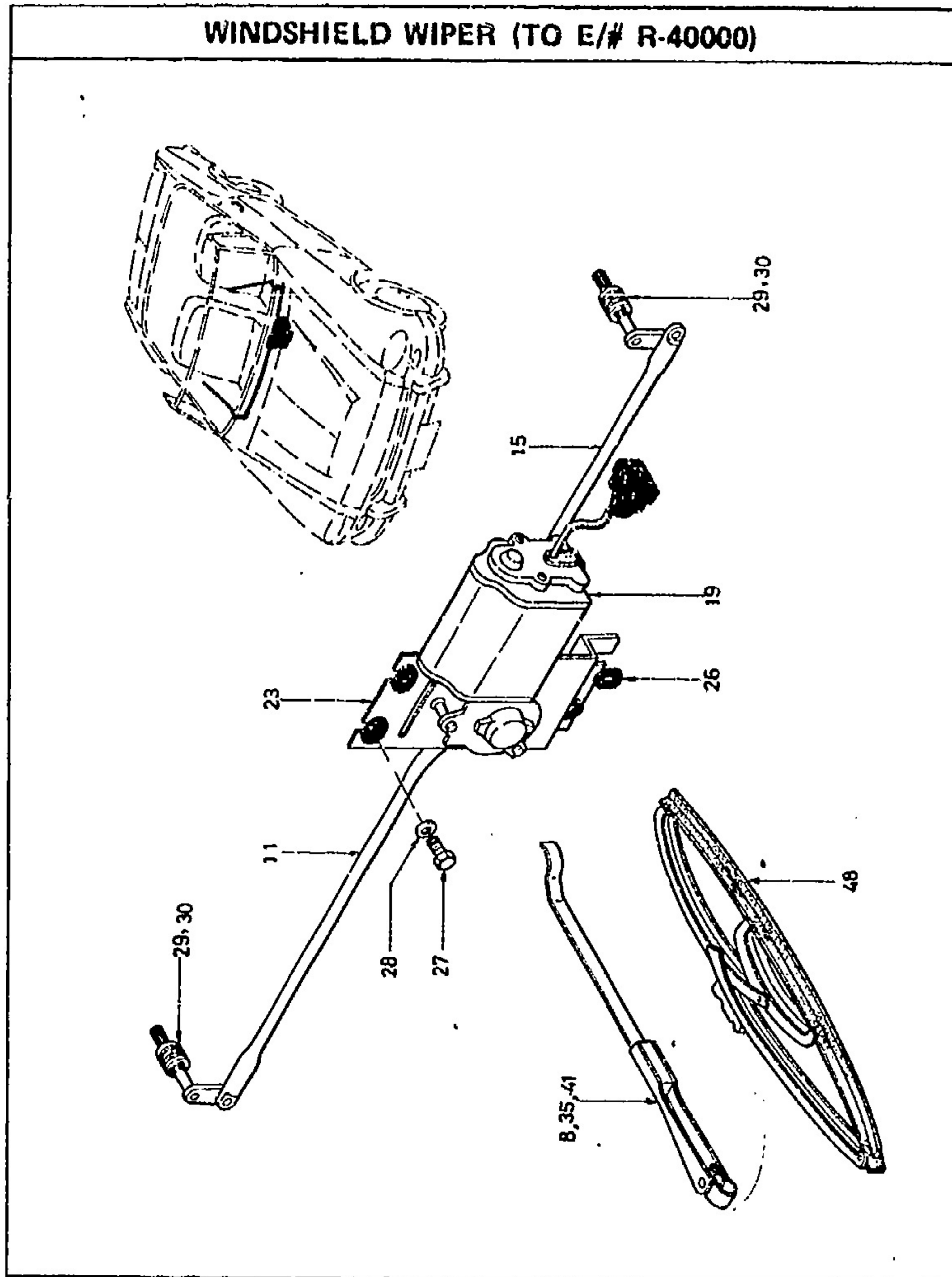
S	KEY NO.	PART NO.	PART NAME	QTY	SALES UNIT	MODEL	ICA
	111	25077-25900	BRACKET-OIL PRESSURE HOSE (FROM OCT-67)	1	1	ALL	

REVISED: MARCH, 1971

23 - 8

Printed in Japan

FIG. 24 -1 M12 NISSAN MOTOR CO., LTD.



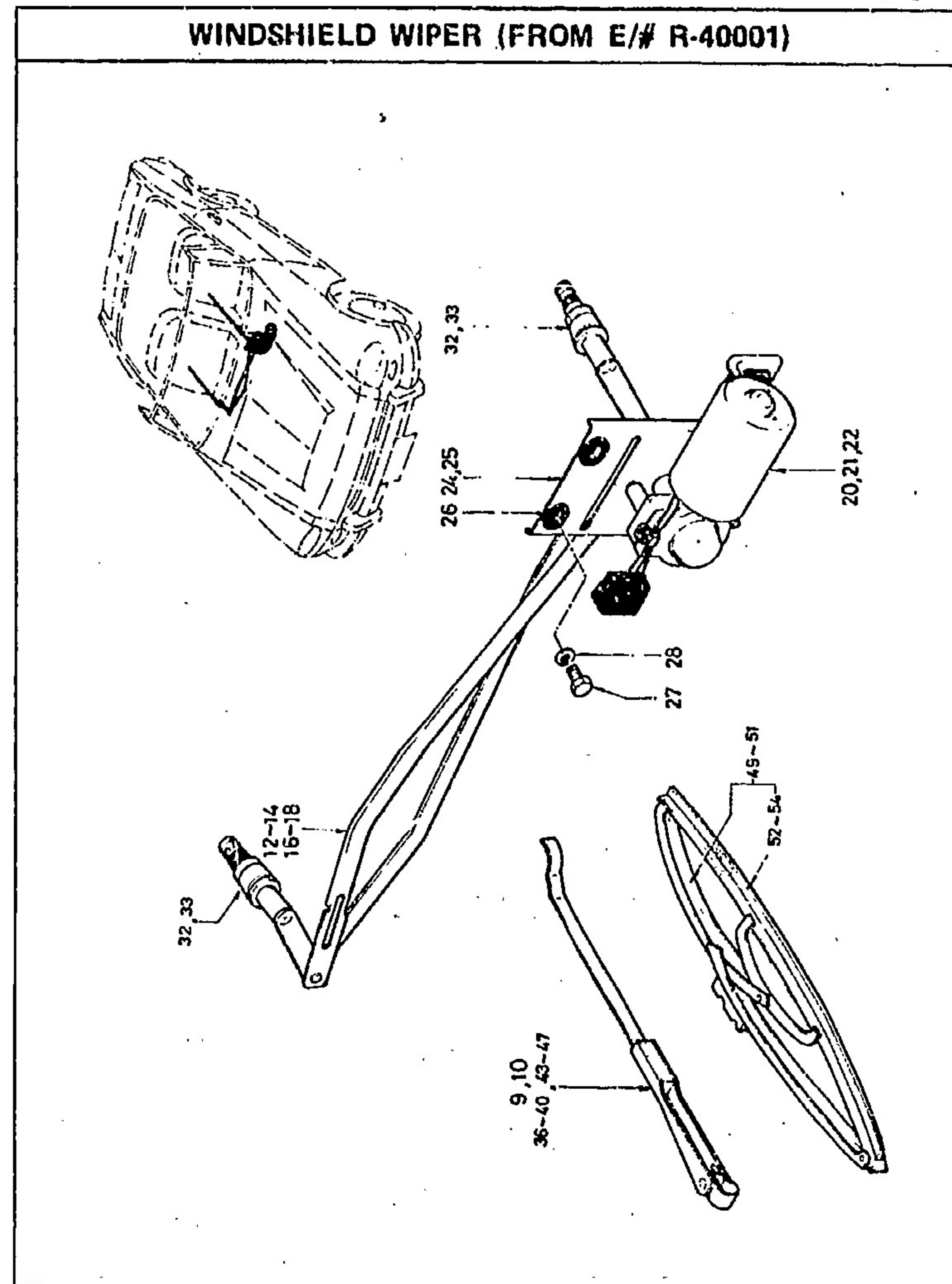
DECEMBER, 1970

F24 - 1

Printed in Japan

NISSAN MOTOR CO., LTD.

FIG. 24 -2



DECEMBER, 1970

F24 - 2

Printed in Japan

FIG. 24 M13 NISSAN MOTOR CO., LTD.

S	KEY NO.	PART NO.	PART NAME	QTY	SALES UNIT	MODEL	ICA
			WINDSHIELD WIPER				
	1	26341-14600	ASSY-DRIVE, WINDSHIELD WIPER (TO E/# R-40000)	1	1.6L		
	2	26341-25900	ASSY-DRIVE, W/S (FROM E/# R-40001 TO SEP-67)	1	1 ALL		N
	3	26800-25902	ASSY-WIPER WINDSHIELD (FROM OCT-67 TO SEP-68)	1	1 SP SR		N
	4	26800-A3200	ASSY-WIPER WINDSHIELD (FROM OCT-68)	1	1 SP SR		Y
	5	26800-26002	ASSY-WIPER WINDSHIELD (FROM OCT-67 TO SEP-68)	1	1 SPL, SPLU, SRL, SRLU		
	6	26800-A3300	ASSY-WIPER WINDSHIELD (FROM OCT-68)	1	1 SPL, SPLU, SRL, SRLU		Y
	7	26352-14600	ASSY-LINKAGE & BRACKET	1	10 1.6L		
	8	26344-14600	ASSY-ARM, LEAD (TO E/# R-40000)	1	1 ALL		
	9	26850-25500	ASSY-ARM, LEAD (FROM E/# R-40001 TO SEP-67)	1	1 ALL		N
	10	26850-25900	ASSY-ARM, LEAD (FROM OCT-67) (NOT FOR SALE)	1	1 ALL		N
	11	26347-14600	ASSY-ROD, CONNECTING RH (TO E/# R-40000)	1	1 ALL		
	12	26860-25500	ROD-CONNECTING NO.1 (FROM E/# R-40001 TO SEP-67)	1	1 ALL		N
	13	26860-25900	ROD-CONNECTING NO.1 (FROM OCT-67)	1	1 SP SR		N
	14	26860-26000	ROD-CONNECTING NO.1 (FROM OCT-67)	1	1 SPL, SPLU, SRL, SRLU		N

24 - 1

Printed in Japan

REVISED: DECEMBER, 1970

NISSAN MOTOR CO., LTD.

FIG. 24

S	KEY NO.	PART NO.	PART NAME	QTY	SALES UNIT	MODEL	ICA
	15	26348-12900	ASSY-ROD, CONNECTING LH (TO E/# R-40000)	1	1 ALL		
	16	26865-25500	ROD-CONNECTING NO.2 (FROM E/# R-40001 TO SEP-67)	1	1 ALL		N
	17	26865-25901	ROD-CONNECTING NO.2 (FROM OCT-67)	1	1 SP SR		N
	18	26865-26001	ROD-CONNECTING NO.2 (FROM OCT-67)	1	1 SPL, SPLU, SRL, SRLU		N
	19	26350-14600	ASSY-MOTOR, W/S WIPER (TO E/# R-40000)	1	1 ALL		
	20	26810-25500	ASSY-MOTOR, W/S WIPER (FROM E/# R-40001 TO SEP-67)	1	1 ALL		N
	21	26810-25900	ASSY-MOTOR W/S WIPER (FROM OCT-67 TO SEP-68)	1	1 ALL		N
	22	26810-A3200	ASSY-MOTOR W/S WIPER (FROM OCT-68)	1	1 ALL		Y
	23	26351-12900	BRACKET-WIPER MOTOR (TO E/# R-40000)	1	1 ALL		
	24	26835-25500	BRACKET-WIPER MOTOR (FROM E/# R-40001 TO SEP-67)	1	1 ALL		N
	25	26835-25901	BRACKET-WIPER MOTOR (FROM OCT-67)	1	1 ALL		N
	26	26353-12900	RUBBER-CUSHION	4	1 ALL		
	27	00114-42910	BOLT	4	50 ALL		
	28	00915-41410	WASHER-PLAIN	4	50 ALL		
	29	26371-12900	ASSY-PIVOT, W/S WIPER (TO E/# R-40000)	2	1 ALL		
	30	26371-14601	ASSY-PIVOT, W/S WIPER (TO E/# R-40000)	2	1 ALL		Y

24 - 2

Printed in Japan

REVISED: DECEMBER, 1970

FIG. 24 M14 NISSAN MOTOR CO., LTD.

S	KEY NO.	PART NO.	PART NAME	QTY	SALES UNIT	MODEL	ICA
	31	26870-25500	ASSY-PIVOT, W/S WIPER (FROM E/R-40001 TO SEP-67)	2	1	ALL	N
	32	26870-25901	PIVOT NO.1 (FROM OCT-67)	1	1	ALL	N
	33	26880-25901	PIVOT NO.2 (FROM OCT-67)	1	1	ALL	N
	34	74300-12161	WASHER-SPECIAL (FROM OCT-67)	4	50	ALL	N
	35	26360-12900	ASSY-ARM W/BLADE RH. (TO E/R R-40000)	1	2	1.6L	
	36	26380-25511	ASSY-ARM, ANTI-DAZZLE RH (FROM E/R-40001 TO SEP-67)	1	1	ALL	N
	37	26380-25911	ASSY-ARM NO.1 (FROM OCT-67 TO SEP-68)	1	2	SP SR	N
	38	26380-A3200	ASSY-ARM NO.1 (FROM OCT-68)	1	1	SP SR	C
	39	26380-26011	ASSY-ARM NO.2 (FROM OCT-67 TO SEP-68)	1	1	SPL SPLU SRL SRLU	N
	40	26380-A3300	ASSY-ARM NO.1 (FROM OCT-68)	1	1	SPL, SPLU, SRL, SRLU	C
	41	26365-12900	ASSY-ARM W/BLADE LH (TO E/R R-40000) (NOT FOR SALE)	1	1	1.6L	
	42	26362-32202	ASSY-BLADE W/S WIPER	1	1	1.6L	
	43	26365-25511	ASSY-ARM, ANTI-DAZZLE LH FROM E/R-40001 TO SEP-67)	1	1	ALL	N
	44	26385-25911	ASSY-ARM NO.1 (FROM OCT-67 TO SEP-68)	1	2	SP SR	N
	45	26385-A3200	ASSY-ARM NO.1 (FROM OCT-68)	1	1	SP SR	C
	46	26385-26011	ASSY-ARM NO.2 (FROM OCT-67 TO SEP-68)	1	1	SPL SPLU SRL SRLU	N

24 - 3

Printed in Japan

REVISED: DECEMBER, 1970

NISSAN MOTOR CO., LTD.

FIG. 24

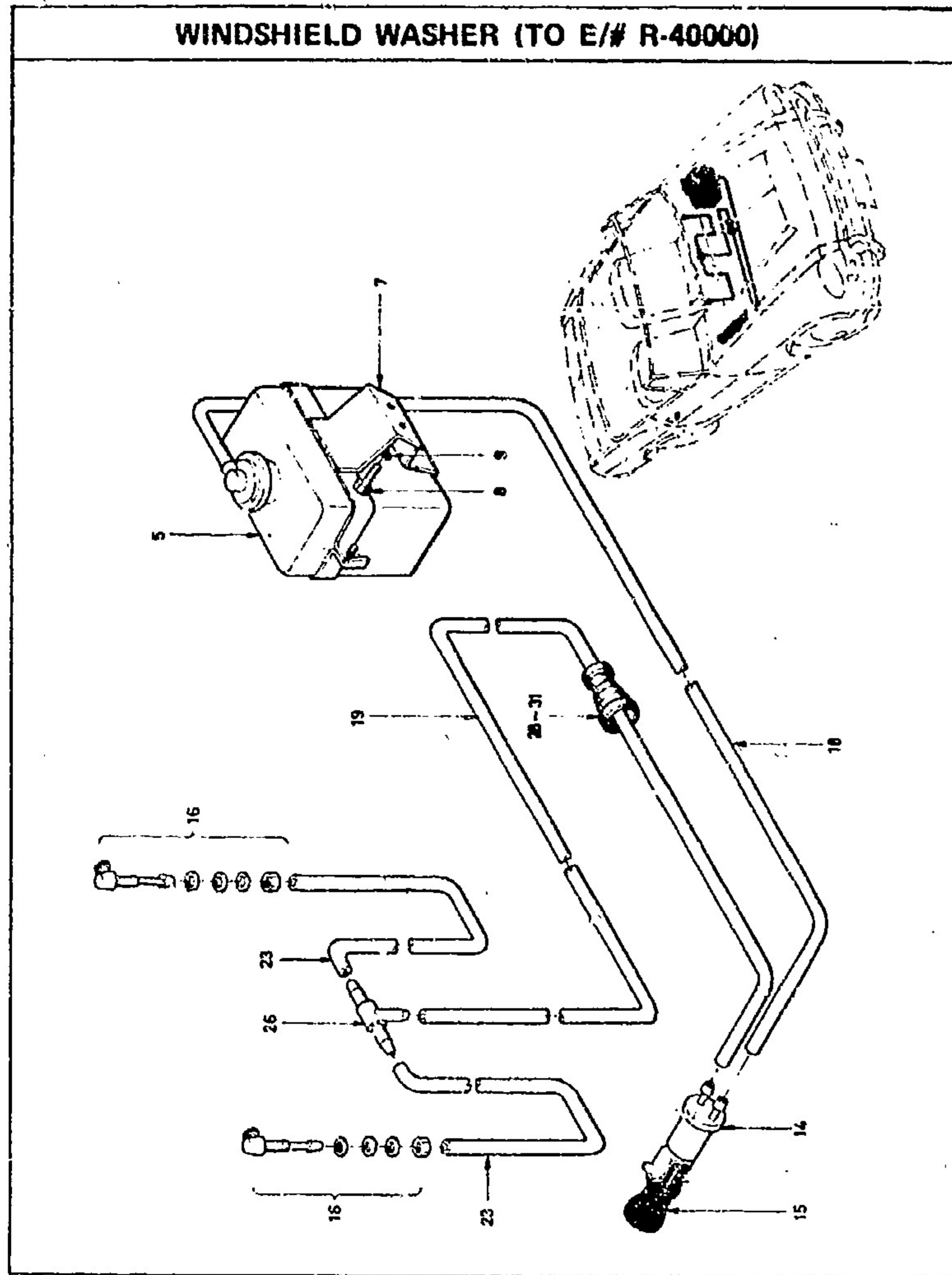
S	KEY NO.	PART NO.	PART NAME	QTY	SALES UNIT	MODEL	ICA
	47	26385-A3300	ASSY-ARM NO.2 (FROM OCT-68)	1	1	SPL, SPLU, SRL, SRLU	C
	48	26362-32202	ASSY-BLADE W/S WIPER (TO E/R R-40000)	2	10	1.6L	
	49	26360-25510	ASSY-BLADE W/S WIPER (FROM E/R R-40001 TO SEP-67)	2	1	ALL	N
	50	26360-25911	ASSY-BLADE (FROM OCT-67 TO SEP-68)	2	2	ALL	N
	51	26370-A3200	ASSY-BLADE (FROM OCT-68)	2	1	ALL	C
	52	26351-25510	RUBBER-BLADE (FROM E/R R-40001 TO SEP-67)	2	1	ALL	
	53	26351-25910	RUBBER-BLADE (FROM OCT-67)	2	1	ALL	N
	54	26371-A3200	RUBBER-BLADE (FROM OCT-68)	2	5	ALL	N

24 - 4

Printed in Japan

REVISED: DECEMBER, 1970

FIG. 24A-1 M15 NISSAN MOTOR CO., LTD.



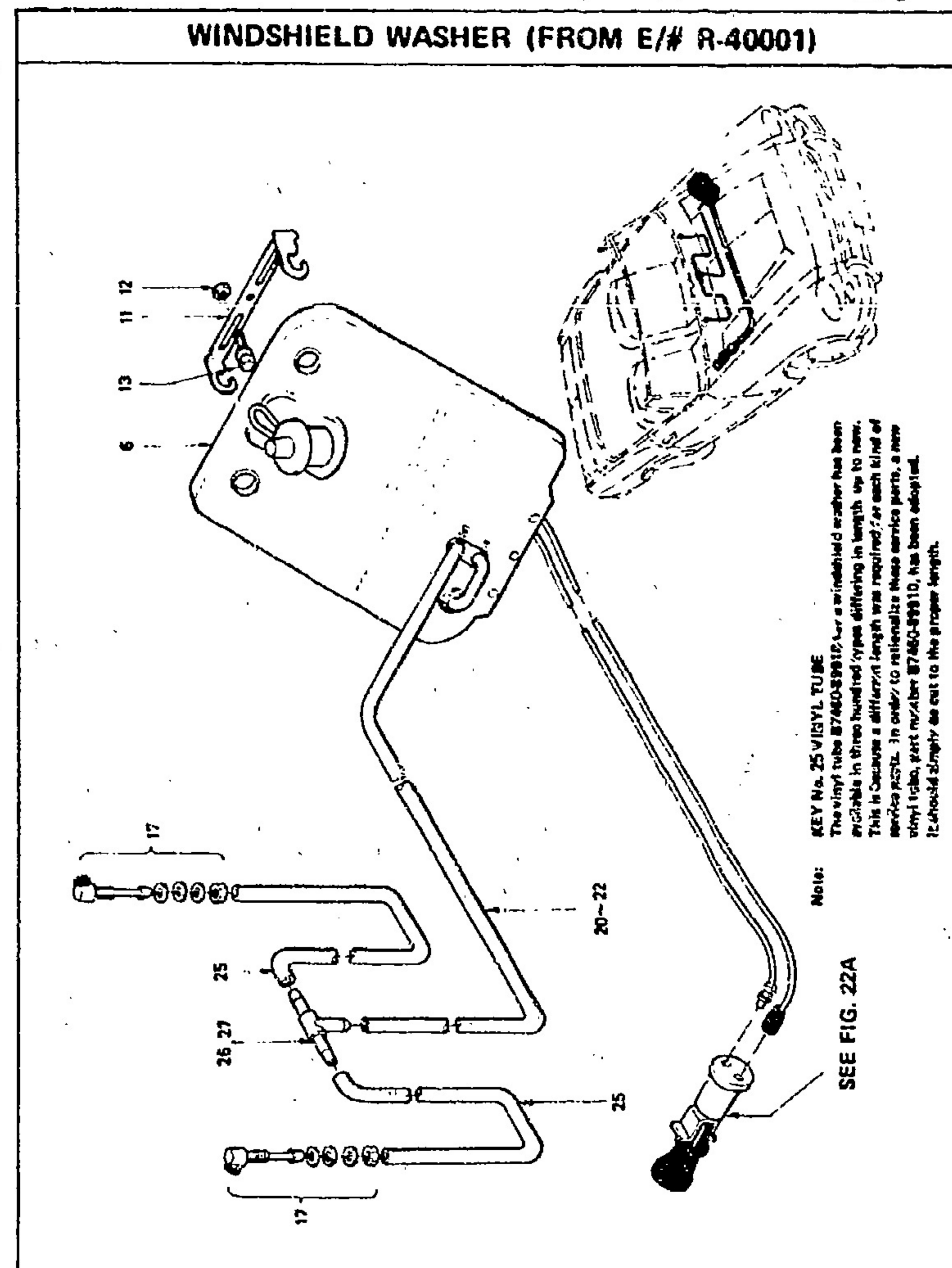
DECEMBER, 1971

F24A-1

Printed in Japan

NISSAN MOTOR CO., LTD.

FIG. 24A-2



DECEMBER, 1971

F24A-2

Printed in Japan

FIG. 24A M16 NISSAN MOTOR CO., LTD.

S	KEY NO.	PART NO.	PART NAME	QTY	SALES UNIT	MODEL	ICA
			WINDSHIELD WASHER				
	1	27400-12900	KIT-WASHER, WINDSHIELD (TO E/S R=40000)	1	1.6L		
	2	27400-25500	KIT-WASHER, WINDSHIELD (FROM E/S R=40001)	1	1	ALL EXC FRANCE	N
	3	27400-25901	KIT-WASHER WINDSHIELD (FROM OCT=67)	1	1	ALL EXC FRANCE	N
	4	27400-A3300	KIT-WASHER WINDSHIELD	1	1	FRANCE	
	5	27405-12900	COMP. TANK, WINDSHIELD MOTOR (TO E/S R=40000)	1	1.6L		
	6	27470-25901	TANK-WASHER (FROM OCT-67)	1	1	ALL	N
	7	27446-12900	ASSY-BRACKET, WASHER TANK (TO E/S R=40000)	1	1	ALL	
	8	00114-41210	BOLT TO FIX BRACKET (TO E/S R=40000)	2	50	ALL	
	9	00915-11410	WASHER-LOCK TO FIX BRACKET (TO E/S R=40000)	2	50	ALL	
	10	27450-25901	ASSY-BRACKET W/S WASHER (FROM OCT-67)	1	1	ALL EXC. FRANCE	
	11	27450-A3300	ASSY BRACKET W/S WASHER	1	1	2L FRANCE	
	12	00914-24400	NUT WELD SQUARE	3	50	ALL	
	13	00369-41210	SCREW	3	50	ALL	
	14	27430-12900	ASSY-PUMP, WINDSHIELD WASHER (TO E/S R=40000)	1	1	1.6L	
	15	27425-10600	ASSY-KNOB, WINDSHIELD WASHER (TO E/S R=40000)	1	10	1.6L	
	16	27440-10600	ASSY-NOZZLE, WASHER (TO SEP=67)	2	10	ALL	

REVISED: MARCH, 1972

24-A- 1

Printed in Japan

NISSAN MOTOR CO., LTD.

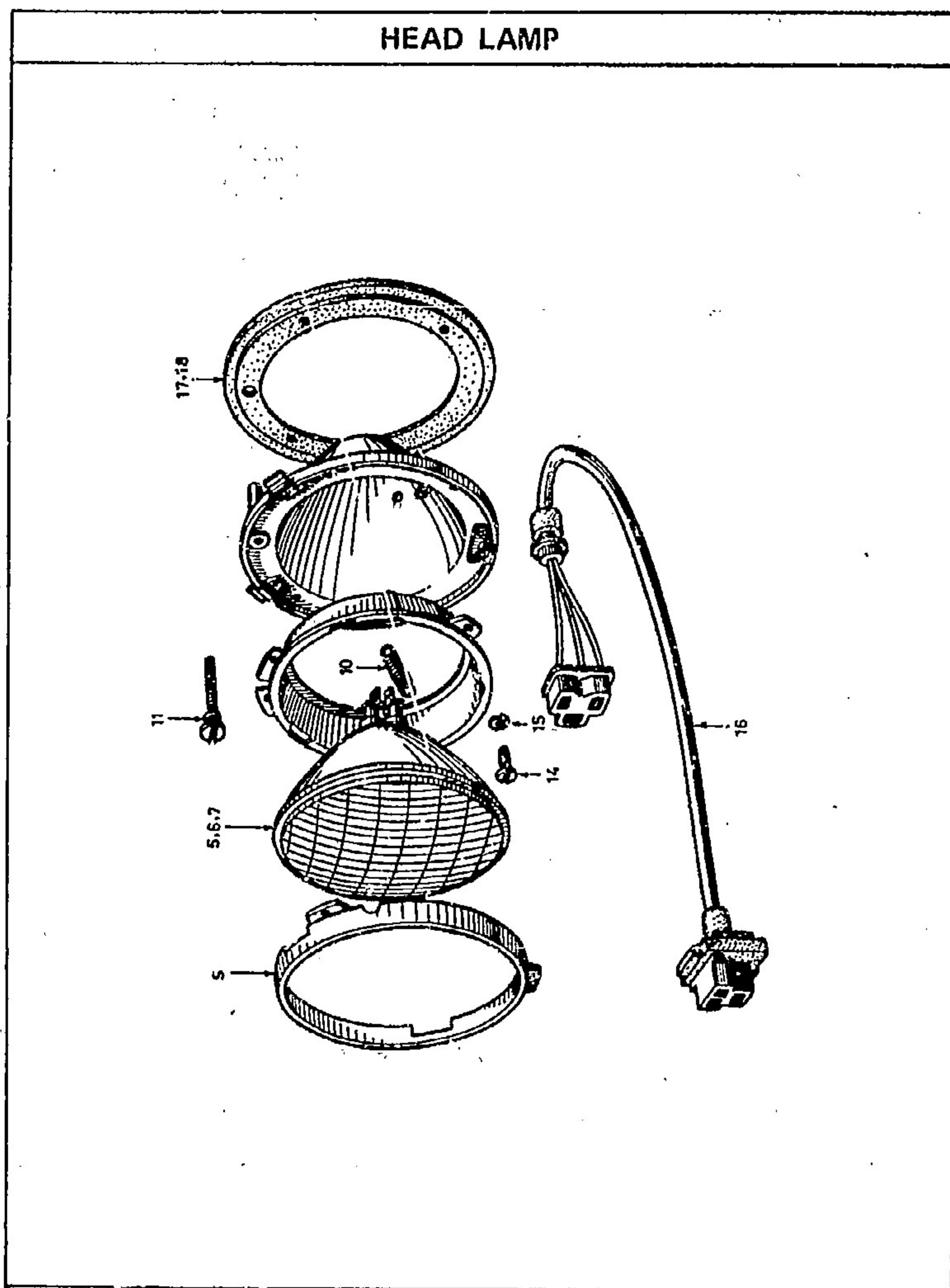
FIG. 24A

S	KEY NO.	PART NO.	PART NAME	QTY	SALES UNIT	MODEL	ICA
	17	27440-21001	ASSY-NOZZLE, WASHER (FROM OCT=67)	2	10	ALL	N
	18	27417-12900	TUBE-INLET (TO E/S R=40000)	1	1	ALL	
	19	27418-12900	TUBE-OUTLET (TO SEP=67)	1	1	ALL	
	20	27461-89945	TUBE-OUTLET (FROM OCT-67)	1	1	ALL EXC FRANCE	N
	21	27460-89910	TUBE-OUTLET (L=10000)	1	1	ALL EXC FRANCE	Y
	22	27462-89956	TUBE-OUTLET	1	1	FRANCE	
	23	27418-35210	TUBE-OUTLET (TO SEP=67)	2	2	ALL	
	24	27460-89927	TUBE-OUTLET (FROM OCT-67)	2	2	ALL	N
	25	27460-89910	TUBE-VINYL (40 X 70 X 10000)	1	1	ALL	Y
	26	27416-10600	TEE-TUBE, WINDSHIELD WASHER	1	10	ALL EXC FRANCE	
	27	27416-89900	TEE-TUBE, WINDSHIELD WASHER	1	10	FRANCE	
	28	24051-10600	GROMMET-RUBBER	1	5	ALL	
	29	24250-89943	GROMMET-RUBBER (TO SEP-67) NOT FOR SALE	1	10	ALL	Y
	30	00951-10600	GROMMET-RUBBER (FROM OCT-67)	1	10	ALL	N
	31	06371-14601	GROMMET-RUBBER	1	1	ALL	Y
	32	27476-A3300	HARNES WASHER MOTOR	1	1	FRANCE	

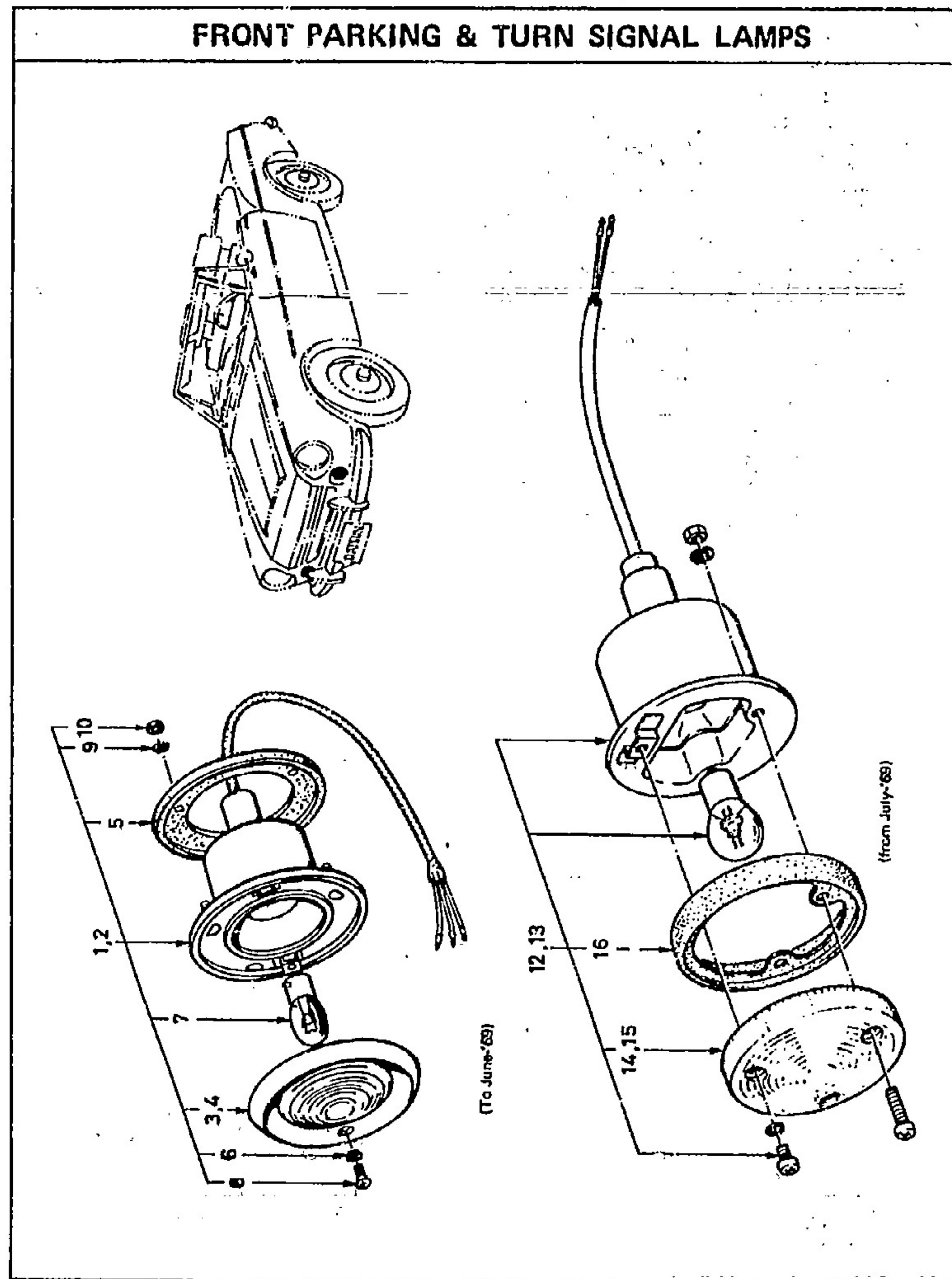
REVISED: MARCH, 1972

24-A- 2

Printed in Japan



KEY NO.	PART NO.	PART NAME	QTY	SALES UNIT	MODEL	ICA
HEAD LAMP						
1	26010-14601	ASSY=LAMP,HEAD(ICHIKAWA)	2	2	SP,SR	
2	26010-14701	ASSY=LAMP,HEAD(ICHIKAWA)	2	1	SPL,SRL	
3	26010-A7400	ASSY=LAMP,HEAD(KOITO)	2	1	SP,SR	
4	26010-13000	ASSY=LAMP,HEAD(KOITO)	2		SPL,SRL	
5	26705-04101	UNIT=SEALED BEAM	2	1	SP	
6	26705-04201	UNIT=SEALED BEAM	2	1	SPL	
7	26705-09925	UNIT=SEALED BEAM	2		SPL	Y
8	26017-04100	RING=RETAINING,LENS	2	1	ALL	
9	26017-18010	RING=RETAINING,LENS	2	5	ALL	Y
10	26017-14801	RING=RETAINING,LENS(FROM C/P SPL311 002755)	2	2	ALL	N
11	26022-01301	SCREW=ADJUST	2	10	ALL	
12	26024-01301	SPRING-TENSION	2	10	ALL	
13	26024-58000	SPRING-TENSION(FROM C/P SPL311 002755)	2	10	ALL	N
14	26022-04100	SCREW	6	10	ALL	
15	00915-11010	WASHER-LOCK	6	50	ALL	
16	26031-12900	ASSY=CABLE,CONNECTOR	2	1	ALL	
17	26027-14800	SHEET=HEAD LAMP	2	5	ALL	
18	26027-14801	SHEET=HEAD LAMP(FROM C/P SPL311 002755)	2	1	ALL	N



KEY NO.	PART NO.	PART NAME	QTY	SALES UNIT	MODEL	ICA
FRONT PARKING & TUBE SIGNAL LAMPS						
1	26120-12900	ASSY-LAMP, PARKING & TURN SIGNAL (WHITE) (TO JUN-69)	2	1 SP		
2	26120-12901	ASSY-LAMP, PARKING & TURN SIGNAL (AMBER) (TO JUN-69)	2	1 SPL		
3	26121-10400	ASSY-LENS, WITH RIM (WHITE) (TO JUN-69)	2	1 SP		
4	26121-10401	ASSY-LENS, WITH RIM (AMBER) (TO JUN-69)	2	1 SPL		
5	26123-10400	SEAT-RUBBER (TO JUN-69)	2	1 ALL		
6	26127-04100	PACKING-WASHER (TO JUN-69)	4	10 ALL		
7	26715-04200	BULB (12V-25/8W) (TO JUN-69)	2	50 ALL		
8	00998-01210	SCREW (TO JUN-69)	4	50 ALL		
9	00915-11010	WASHER-LOCK (TO JUN-69)	6	50 ALL		
10	00911-11010	NUT (TO JUN-69)	6	50 ALL		
11	26512-12900	ASSY-LENS & RIM, MAP LAMP (TO SEP-67)	1	2 ALL		
12	26120-A7500	ASSY-LAMP, PARKING & TURN SIGNAL (WHITE) (FROM JULY-69)	2	1 R DRIVE		
13	26120-A7800	ASSY-LAMP, PARKING & TURN SIGNAL (AMBER) (FROM JULY-69)	2	1 L DRIVE		
14	26121-A7500	ASSY-LENS FRONT LAMP (WHITE) (FROM JULY-69)	2	1 R DRIVE		

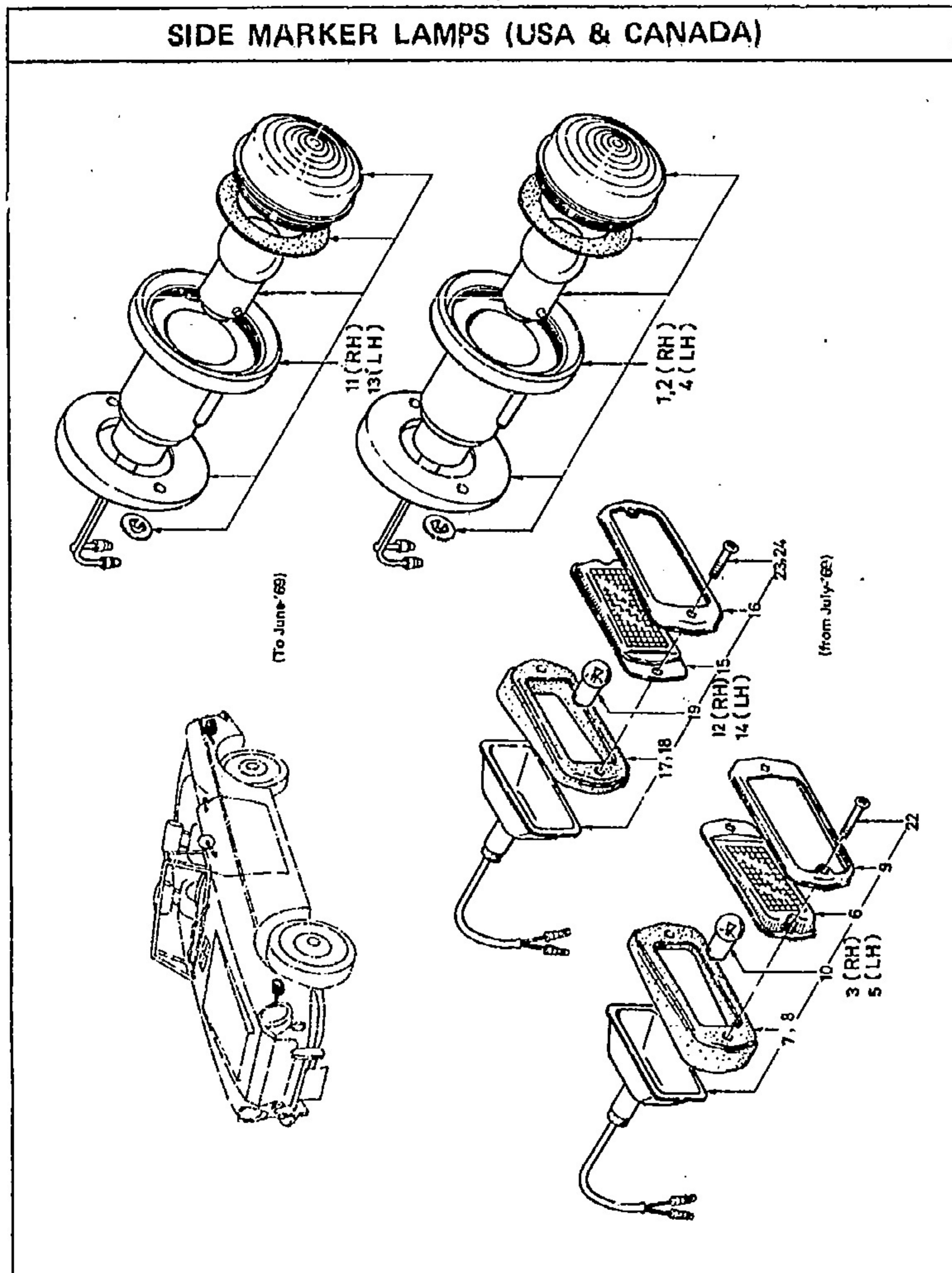
FIG. 26 N3 NISSAN MOTOR CO., LTD.

S	KEY NO.	PART NO.	PART NAME	QTY	SALES UNIT	MODEL,	ICA
	15	26121-A7800	ASSY-LENS FRONT LAMP (AMBER) (FROM JULY-69)	2	1	L DRIVE	
	16	26123-A7500	PACKING FRONT LAMP	2	2	ALL	

REVISED: JUNE , 1970

25 - 2

Printed in Japan



MARCH, 1970

F26A- 1

Printed in Japan

KEY NO.	PART NO.	PART NAME	QTY	SALES UNIT	MODEL	ICA
SIDE MARKER LAMPS (U.S.A. & CANADA)						
1	26180-14600	ASSY LAMP SIDE MARKER FRONT RH (FROM OCT-68)	1	2	USA & CANADA	
2	26180-12900	ASSY LAMP SIDE MARKER FRONT RH (FROM OCT-68)	1	2	USA & CANADA	Y
3	26180-A7800	ASSY LAMP SIDE MARKER FRONT RH (FROM JULY-69)	1	1	USA & CANADA	N
4	26185-14600	ASSY LAMP SIDE MARKER FRONT LH (FROM OCT-68)	1	2	USA & CANADA	
5	26185-A7800	ASSY LAMP SIDE MARKER FRONT LH (FROM JULY-69)	1	1	USA & CANADA	N
6	26181-A5500	LENS SIDE MARKER FRONT (FROM JULY-69)	2	5	USA & CANADA	
7	26183-A7800	PACKING SIDE MARKER FRONT RH (FROM JULY-69)	1	10	USA & CANADA	
8	26185-A7800	PACKING SIDE MARKER FRONT LH (FROM JULY-69)	1	10	USA & CANADA	
9	26182-A5500	RIM SIDE MARKER FRONT (FROM JULY-69)	2	1	USA & CANADA	
10	26715-89902	BULB 12V 8W FRONT (FROM JULY-69)	2	10	USA & CANADA	
11	26190-26000	ASSY LAMP SIDE MARKER REAR RH (FROM OCT-67)	1	1	USA & CANADA	
12	26190-A7800	ASSY LAMP SIDE MARKER REAR RH (FROM JULY-69)	1	1	USA & CANADA	N
13	26195-26000	ASSY LAMP SIDE MARKER REAR LH (FROM OCT-67)	1	1	USA & CANADA	
14	26195-A7800	ASSY LAMP SIDE MARKER REAR LH (FROM JULY-69)	1	1	USA & CANADA	N
15	26191-A5500	LENS SIDE MARKER REAR (FROM JULY-69)	2	5	USA & CANADA	

REVISED: JUNE, 1971

26A- 1

Printed in Japan

FIG. 26A N5 NISSAN MOTOR CO., LTD.

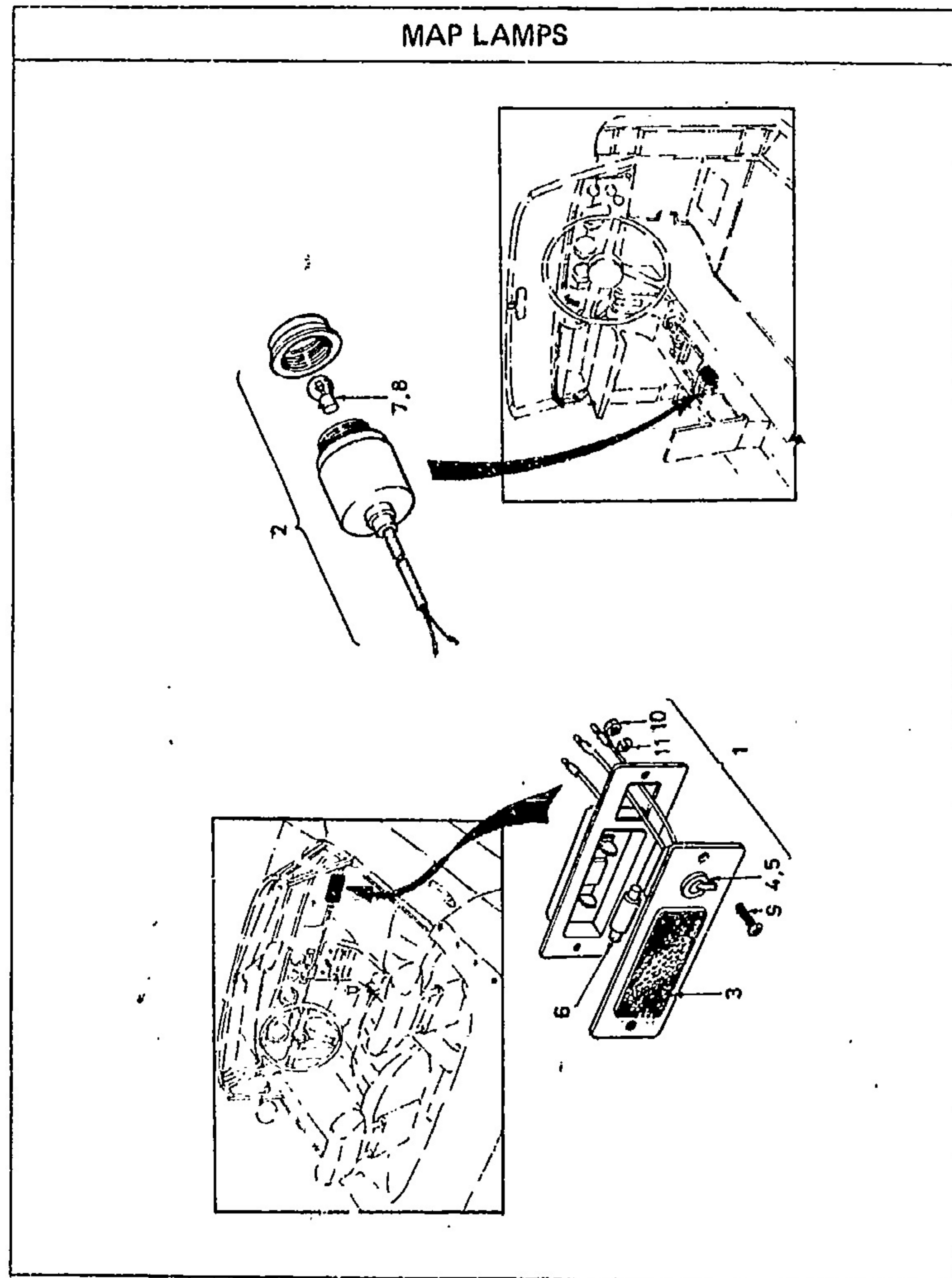
S	KEY NO.	PART NO.	PART NAME	QTY	SALES UNIT	MODEL	ICA
	16	26182-A5500	RIM SIDE MARKER REAR (FROM JULY-69)	2	1	USA & CANADA	
	17	26193-A7800	PACKING SIDE MARKER REAR RH(FROM JULY-69)	1	1	USA & CANADA	
	18	26198-A7800	PACKING SIDE MARKER REAR LH(FROM JULY-69)	1	1	USA & CANADA	
	19	26715-09902	BULB 12V 8W REAR (FROM JULY-69)	2	50	USA & CANADA	
	20	26199-A5500	CAP REAR(FROM JULY-69)	1	1	USA & CANADA	
	21	08963-10410	NUT TO FIX SIDE LAHP	8	50	USA & CANADA	
	22	08410-42520	SCREW TO FIX SIDE LAHP	4	50	USA & CANADA	
	23	08410-43020	SCREW TO FIX SIDE LAMP	4		USA & CANADA	
	24	01451-00013	SCREW TO FIX SIDE LAHP	4	50	USA & CANADA	Y

REVISED: JUNE, 1971

26-A- 2

Printed in Japan

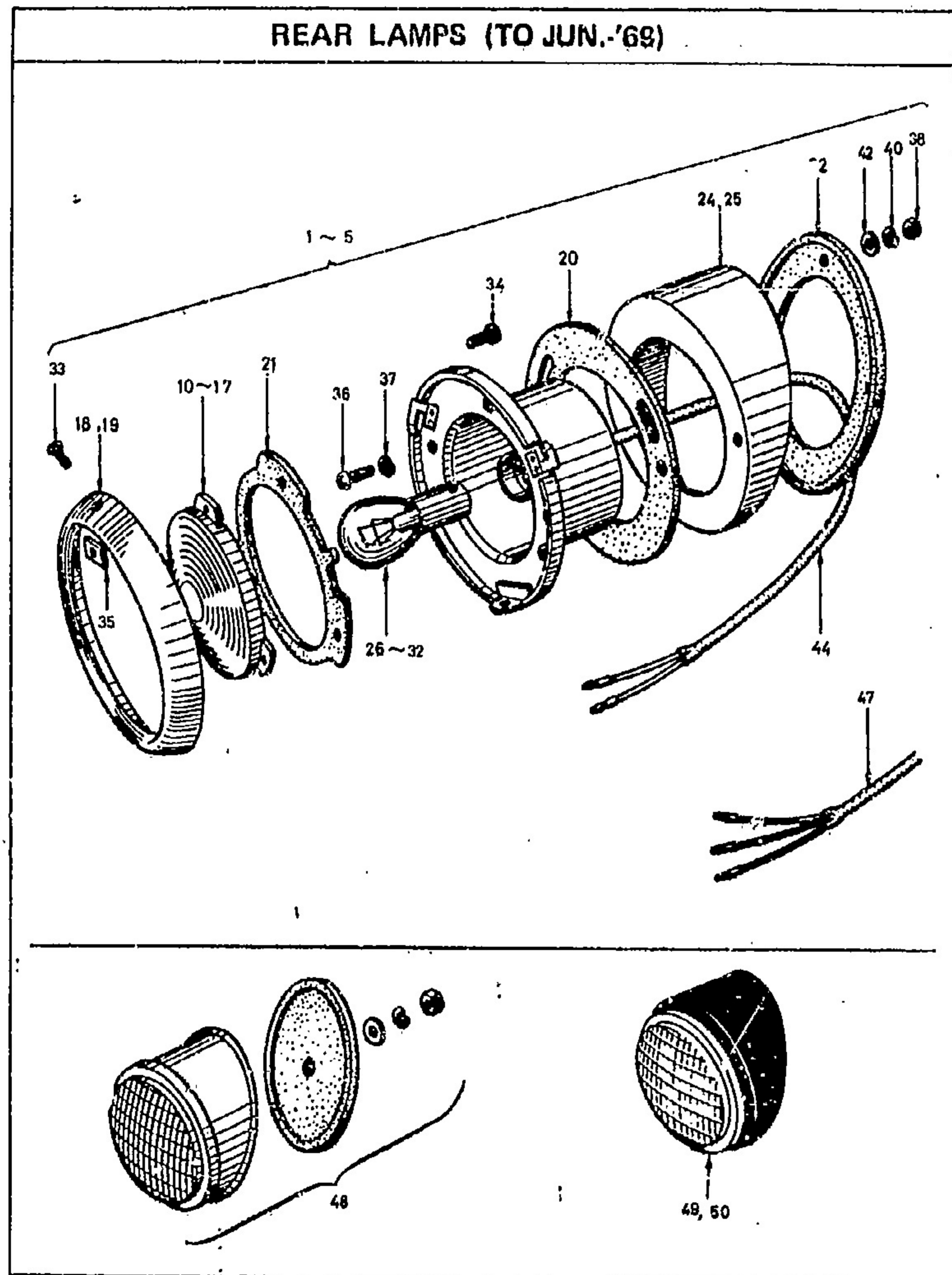
FIG. 26B N6 NISSAN MOTOR CO., LTD.



NISSAN MOTOR CO., LTD.

FIG. 26B

KEY NO.	PART NO.	PART NAME	QTY	SALES UNIT	MODEL	ICA
MAP LAMPS						
1	26410-12900	ASSY-LAMP MAP (TO SEP-67)	1	2	ALL	
2	26410-25901	ASSY-LAMP MAP (FROM OCT-67)	1	1	ALL	N
3	26812-12900	ASSY-LENS & RIM, MAP LAMP (TO SEP-67)	1	2	ALL	
4	25270-12900	COMP-SWITCH, MAP LAMP (TO SEP-67)	1		ALL	
5	25270-10400	COMP-SWITCH, MAP LAMP (TO SEP-67)	1	1	ALL	Y
6	26718-10600	BULB 12V-1.5W (TO SEP-67)	1	50	ALL	
7	26717-04200	BULB 12V-8W (FROM OCT-67)	1	50	ALL	N
8	26715-09901	BULB 12V-8W (FROM OCT-67)	1	50	ALL	Y
9	00334-01210	SCREW-MACHINE (TO SEP-67)	2	50	ALL	
10	00911-10610	NUT-HEX (TO SEP-67)	2	50	ALL	
11	00915-10810	WASHER-SPRING (TO SEP-67)	2	50	ALL	



KEY NO.	PART NO.	PART NAME	QTY	SALES UNIT	MODEL	ICA
REAR LAMPS						
1	26520-10400	ASSY=LAMP,TURN SIGNAL (AMBER)(TO SEP-67)	2	1	ALL(EXC.U.S,A,)	
2	26520-10500	ASSY=LAMP,TURN SIGNAL (RED)(TO SEP-67)	2	1	U.S.A,ONLY	
3	26520-25900	ASSY=LAMP TURN SIGNAL (RED)(FROM OCT-67 TO SEP-68)	2	1	ALL EXC AUSTRALIA	N
4	26520-10400	ASSY=LAMP TURN SIGNAL (AMBER)(TO SEP-68)	2	1	AUSTRALIA	Y
5	26520-10400	ASSY=LAMP TURN SIGNAL (AMBER)(FROM OCT-68)	2	1	ALL (EXC U.S.A & CANADA)	N
6	26530-A3300	ASSY=LAMP TAIL,STOP & TURN(RED)(FROM OCT-68)	2	1	USA & CANADA	Y
7	26530-10400	ASSY=LAMP,STOP & TAIL (RED)(TO SEP-68)	2	1	ALL	
8	26530-10400-01	ASSY=LAMP,STOP & TAIL (RED) (TO SEP-68)	2	2	ALL	Y
9	26530-A3300	ASSY=LAMP,STOP & TAIL (RED)(FROM OCT-68)	2	1	ALL	Y
10	26521-09700	LENS (FOR 26520-10400, AMBER)(TO SEP-67)	2	1	ALL(EXC USA)	
11	26521-09701	LENS FOR 26520-10500 (RED)(TO SEP-67)	2	1	U.S.A,ONLY	
12	26521-25900	LENS FOR 26520-25900 (RED)(FROM OCT-67 TO SEP-68)	2	1	ALL EXC AUSTRALIA	N
13	26521-09700	LENS FOR 26520-10400 (AMBER)(FROM OCT-67 TO SEP-68)	2	1	AUSTRALIA	Y

FIG. 27 N8 NISSAN MOTOR CO., LTD.

S	KEY NO.	PART NO.	PART NAME	QTY	SALES UNIT	MODEL	ICA
	14	26521-09700	LENS FOR 26520-10400 (AMBER)(FROM OCT-68)	2	1	ALL (EXC USA & CANADA)	
	15	26551-A3300	LENS FOR 26550-A3300 (RED)(FROM OCT-68)	2	1	USA & CANADA	N
	16	26521-09701	LENS FOR 26530-10400 (RED)(TO SEP-68)	2	1	ALL	
	17	26551-A3300	LENS FOR 26550-A3300 (RED)(FROM OCT-68)	2	1	ALL	N
	18	26522-09700	RIM	4	1	ALL	
	19	26552-A3300	RIM FOR 26550-A3300	4	1	ALL	
	20	26523-09700	SEAT-RUBBER(LAMP BODY TO ADAPTER)	4	1	ALL	
	21	26528-09700	SEAT-RUBBER(LENS TO LAMP BODY)	4	1	ALL	
	22	26528-10400	SEAT-RUBBER(ADAPTER TO BODY)	4	1	ALL	
	23	26529-10400	ASSY-ADAPTER, TURN SIGNAL LAMP, REAR	4	1	ALL	
	24	26529-A7500	ASSY-ADAPTER, TURN SIGNAL LAMP, REAR	4	1	ALL	Y
	25	26553-A3300	ASSY-ADAPTER, TURN SIGNAL LAMP, REAR FOR 26550-A3300	4	1	ALL	
	26	26716-07300	BULB-TURN SIGNAL LAMP (12V-25W)(TO SEP-68)	2	50	ALL	
	27	26716-89900	BULB-TURN SIGNAL LAMP (12V-25W)(TO SEP-68)	2	10	ALL	Y
	28	26716-07300	BULB-TURN SIGNAL LAMP (12V-25W)(FROM OCT-68)	2	50	ALL (EXC USA & CANADA)	
	29	26715-04200	BULB-STOP & TAIL LAMP (12V-25/8W)(TO SEP-68)	2	50	ALL	
	30	26717-89920	BULB-STOP & TAIL LAMP (12V-25/8W)(TO SEP-68)	2	10	ALL	Y

REVISED: DECEMBER, 1970

27 = 2

Printed in Japan

NISSAN MOTOR CO., LTD.

FIG. 27

S	KEY NO.	PART NO.	PART NAME	QTY	SALES UNIT	MODEL	ICA
	31	26715-04200	BULB-STOP & TAIL LAMP (12V-25/8W)(FROM OCT-68)	2	50	ALL (EXC USA & CANADA)	
	32	26715-04200	BULB-STOP & TAIL LAMP (12V-25/8W)(FROM OCT-68)	4	50	USA & CANADA	
	33	00330-60820	SCREW(RIM TO LAMP BODY)	4	50	ALL	
	34	00320-60810	SCREW TO FIX LENS TO LAMP BODY	12	50	ALL	
	35	00913-10810	NUT-SQUARE TO FIX LENS TO LAMP BODY	12	50	ALL	
	36	00314-01210	SCREW TO FIX LAMP BODY TO ADAPTER	8	50	ALL	
	37	00915-11010	WASHER-LOCK TO FIX LAMP BODY TO ADAPTER	8	50	ALL	
	38	00999-20310	NUT TO FIX ADAPTER TO LAMP BODY	8	50	ALL	
	39	08911-10610	NUT TO FIX ADAPTER TO LAMP BODY FOR 26550-A3300	8	50	ALL	
	40	00999-90310	WASHER-LOCK TO FIX ADAPTER TO LAMP BODY	8	50	ALL	
	41	08915-13610	WASHER-LOCK TO FIX ADAPTER TO LAMP BODY FOR 26550-A3300	8	50	ALL	
	42	00915-41410	WASHER-PLAIN TO FIX ADAPTER TO LAMP BODY	8	50	ALL	
	43	08915-43610	WASHER-PLAIN TO FIX ADAPTER TO LAMP BODY FOR 26550-A3300	8	50	ALL	
	44	26529-09700	ASSY-CABLE TURN SIGNAL (TO SEP-67)	2	1	ALL	
	45	26529-25900	ASSY-CABLE, TURN SIGNAL (FROM OCT-67)	2	1	AUSTRALIA	N

REVISED: DECEMBER, 1970

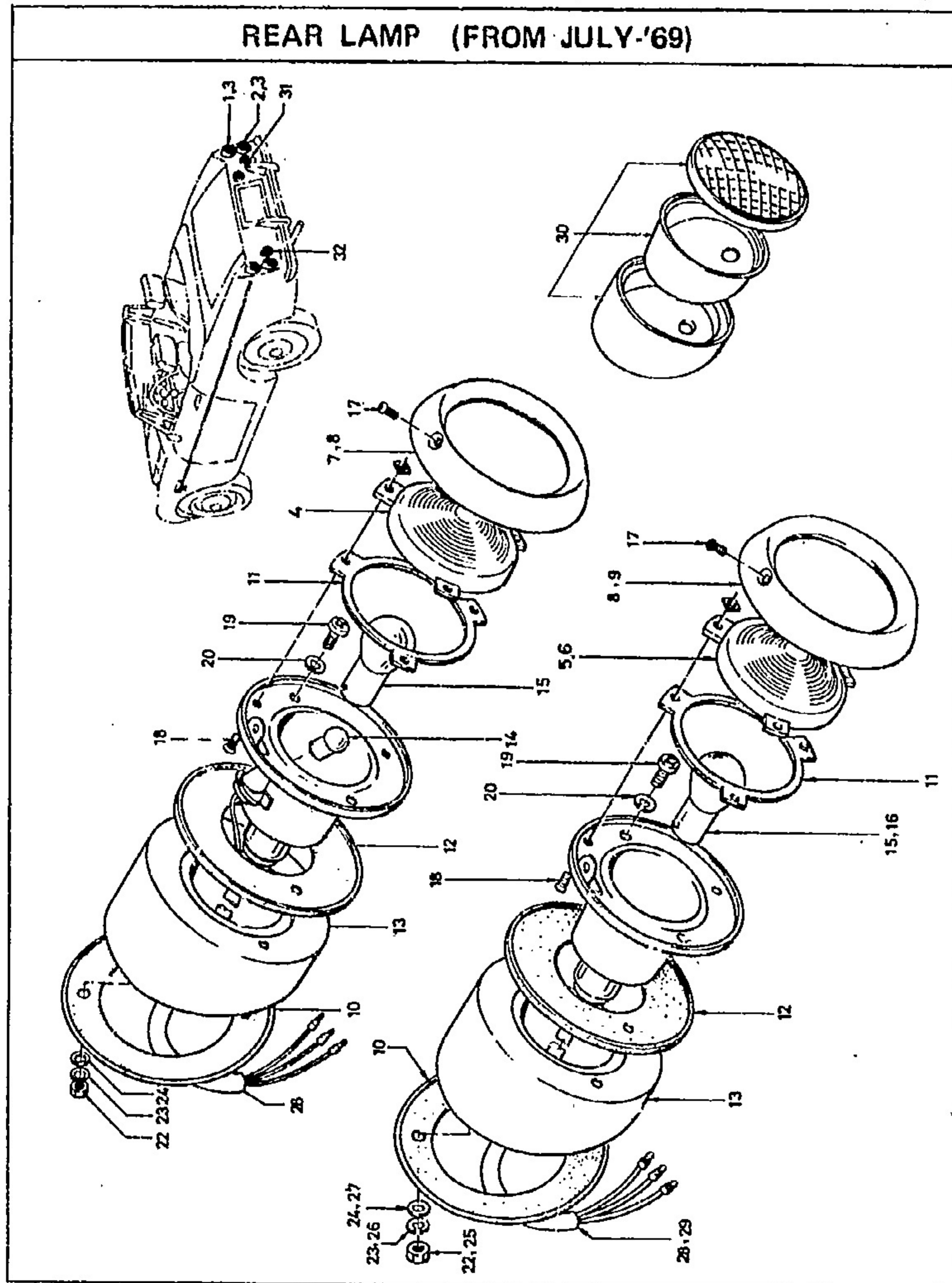
27 = 3

Printed in Japan

FIG. 27 N9 NISSAN MOTOR CO., LTD.

S	KEY NO.	PART NO.	PART NAME	QTY	SALES UNIT	MODEL	ICA
•	46	26539-10400	ASSY=CABLE, STOP & TAIL LAMP (TO SEP-67)	2	1	ALL	
	47	26539-A7800	ASSY=CABLE, STOP & TAIL LAMP (TO SEP-67)		1	ALL	Y
	48	26560-10400	ASSY=REFLECTOR	2	1	ALL EXC FRANCE	
	49	26560-A3201	ASSY=REFLEX REFLECTOR RH	1	1	FRANCE	
	50	26565-A3201	ASSY=REFLEX REFLECTOR LH	1	1	FRANCE	

FIG. 27A N10 NISSAN MOTOR CO., LTD.



DECEMBER, 1969

F27A-1

Printed in Japan

NISSAN MOTOR CO., LTD.

FIG. 27A

KEY NO.	PART NO.	PART NAME	QTY	SALES UNIT	MODEL	ICA
REAR LAMPS (FROM JUL.'69)						
1	26520-A7500	ASSY=LAMP,TURN SIGNAL REAR (AMBER)	2	1	ALL EXC USA & CANA DA	
2	26550-A7800	ASSY=LAMP COMBINATION REAR (RED)	2	1	ALL EXC USA & CANA DA	
3	26550-A7800	ASSY=LAMP COMBINATION REAR (RED)	4	1	USA & CANA DA	
4	26521-A7500	LENS=TURN SIGNAL REAR (AMBER)	2		ALL EXC USA & CANA DA	
5	26551-A7800	LENS=COMBINATION REAR (RED)	2	1	ALL EXC USA & CANA DA	
6	26551-A7800	LENS=COMBINATION REAR (RED)	4	1	USA & CANA DA	
7	26522-09700	RIM	2	1	ALL EXC USA & CANA DA	
8	26552-A3300	RIM	2	1	ALL EXC USA & CANA DA	
9	26552-A3300	RIM	4	1	USA & CANA DA	
10	26523-09700	SEAT RUBBER (BODY TO ADOPTOR)	4	1	ALL	
11	26528-A7500	PACKING=LAMP REAR	4	1	ALL	
12	26528-10400	SHEET COMBINATION LAMP	8	1	ALL	
13	26529-A7500	ASSY=ADOPTOR TURN SIGNAL REAR	4	1	ALL	

REVISED: DECEMBER, 1970

27-A- 1

Printed in Japan

FIG. 27A N11 NISSAN MOTOR CO., LTD.

S	KEY NO.	PART NO.	PART NAME	QTY	SALES UNIT	MODEL	ICA
	14	26717-89900	BULB TURN SIGNAL REAR (12V-23W)	2	10	ALL EXC USA & CANADA	
	15	26717-89920	BULB COMBINATION LAMP REAR (12V-23-7W)	2	10	ALL EXC USA & CANADA	
	16	26717-89920	BULB COMBINATION LAMP REAR (12V 23-7W)	4	10	USA & CANADA	
	17	00330-60820	SCREW (RIM TO LAMP BODY)	2	50	ALL EXC USA & CANADA	
	18	08310-30812	PH CROSS SCREW M3X5	6		ALL EXC USA & CANADA	
	19	00314-01210	SCREW (LAMP BODY TO ADOPTOR)	4	50	ALL EXC USA & CANADA	
	20	00915-11010	SPRING WASHER (LAMP BODY TO ADOPTOR)	4	50	ALL EXC USA & CANADA	
	21	00998-11210	PH SCREW 6 P 10	4	50	ALL EXC USA & CANADA	
	22	08911-10610	NUT HEX (ADOPTOR TO LAMP BODY)	4	50	ALL EXC USA & CANADA	
	23	08915-13610	WASHER SPRING (ADOPTOR TO LAMP BODY)	4	50	ALL EXC USA & CANADA	
	24	08915-43610	WASHER PLAIN (ADOPTOR TO LAMP BODY)	4	50	ALL EXC USA & CANADA	
	25	08911-10610	NUT HEX (ADOPTOR TO LAMP BODY)	8	50	USA & CANADA	
	26	00915-13610	WASHER SPRING (ADOPTOR TO LAMP BODY)	8	50	USA & CANADA	
	27	08915-43610	WASHER PLAIN (ADOPTOR TO LAMP BODY)	8	50	USA & CANADA	

27-A- 2

REVISED: DECEMBER, 1970

Printed in Japan

NISSAN MOTOR CO., LTD.

FIG. 27A

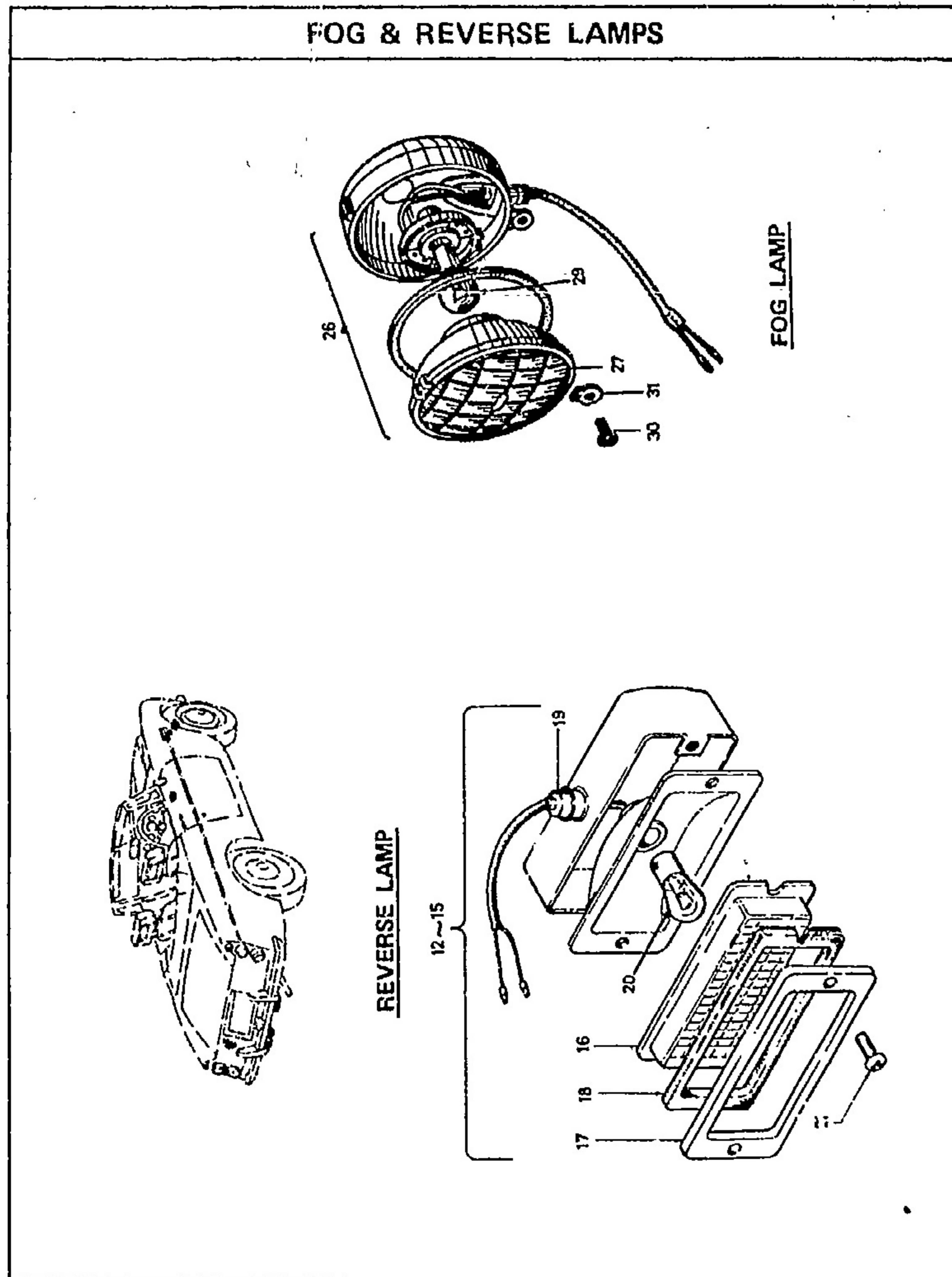
S	KEY NO.	PART NO.	PART NAME	QTY	SALES UNIT	MODEL	ICA
	28	26539-A7800	ASSY CABLE COMBINATION LAMP REAR	2	1	ALL EXC USA & CANADA	
	29	26539-A7800	ASSY CABLE COMBINATION LAMP REAR	4	1	USA & CANADA	
	30	26560-10400	ASSY-REFLEX REFLECTOR	2	1	ALL EXC USA, CANADA & FRANCE	
	31	26560-A3201	ASSY-REFLEX REFLECTOR RH	1	1	USA, CANADA & FRANCE	
	32	26560-A3201	ASSY-REFLEX REFLECTOR LH	1	1	USA, CANADA & FRANCE	

27-A- 3

REVISED: DECEMBER, 1970

Printed in Japan

FIG. 28-1 N12 NISSAN MOTOR CO., LTD.



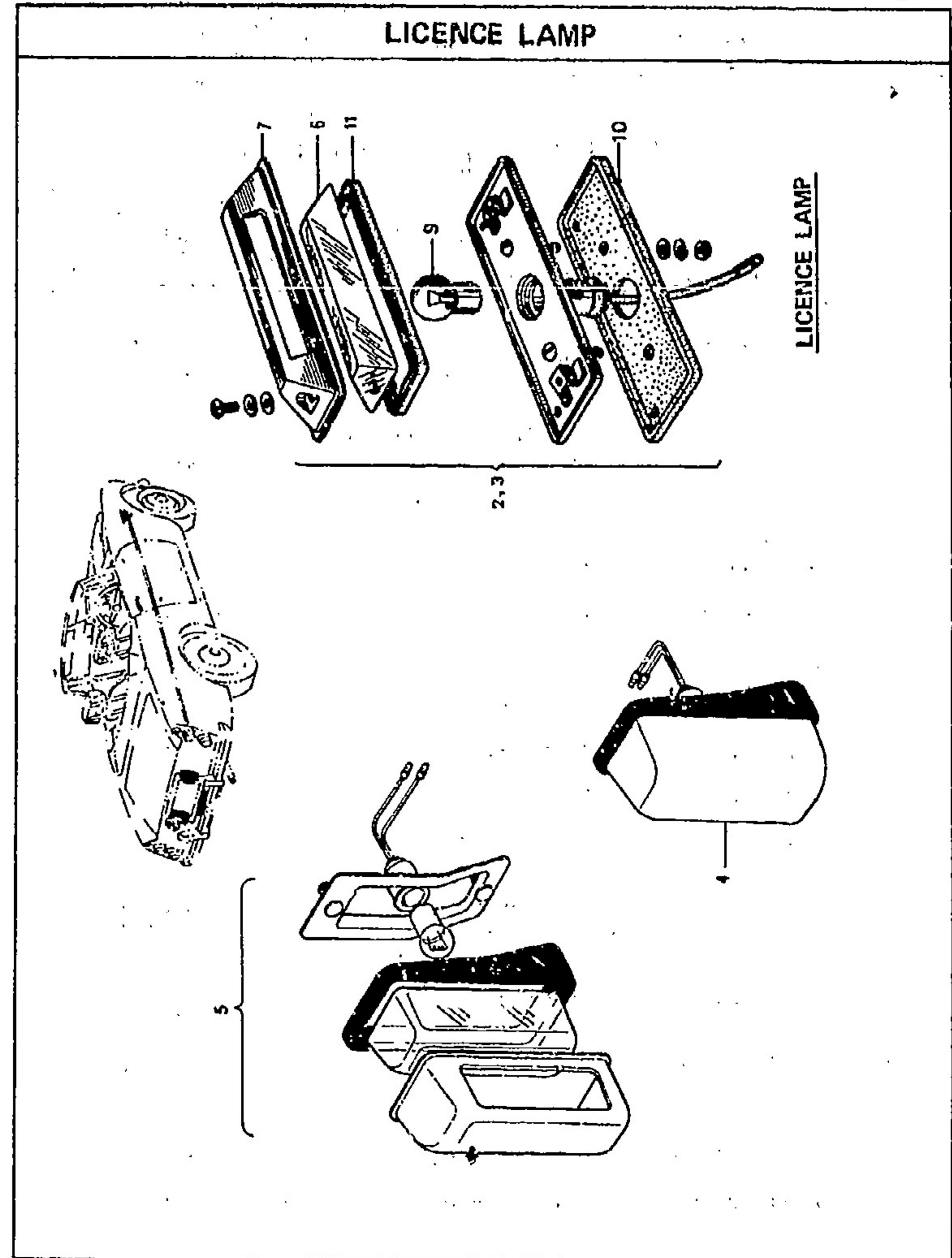
DECEMBER, 1970

F28 - 1

Printed in Japan

NISSAN MOTOR CO., LTD.

FIG. 28-2



DECEMBER, 1970

F28 - 2

Printed in Japan

FIG. 28 N13 NISSAN MOTOR CO., LTD.

S	KEY NO.	PART NO.	PART NAME	QTY	SALES UNIT	MODEL	ICA
REVERSE FOG & LICENCE LAMPS							
	1	26510-36700	ASSY=LAMP,LICENCE	1	2	ALL	
	2	26510-25900	ASSY=LAMP,LICENCE (TO SEP-68)	1	1	ALL	Y
	3	26510-25900	ASSY LAMP LICENCE (FROM OCT-68)	2	1	ALL (EXC U SA & CANAD A)	Y
	4	26510-A3300	ASSY LAMP LICENCE RH (FROM OCT-68)	1	2	USA & CANA DA	N
	5	26515-A3300	ASSY LAMP LICENCE LH (FROM OCT-68)	1	1	USA & CANA DA	N
	6	26511-32200	LENS	1	5	ALL	
	7	26512-32200	RIM	1	1	ALL	
	8	26717-04200	BULB(12V-8W)	1	50	ALL	
	9	26715-89902	BULB(12V-8W)	1	10	ALL	Y
	10	26513-32200	SEAT=RUBBER	1	5	ALL	
	11	26518-32200	PACKING=LENS	1	5	ALL	
	12	26540-10400	ASSY=LAMP,REVERSE (TO SEP-68)	1	1	ALL	
	13	26540-10400	ASSY LAMP REVERSE (FROM OCT-68)	1	1	ALL EXC US A CANADA & FRANCE	Y
	14	26540-10400	ASSY=LAMP REVERSE (FROM OCT-68)	2	1	USA & CANA DA	Y
	15	26540-A3200	ASSY=LAMP REVERSE	1		FRANCE	
	16	26231-02700	LENS=REVERSE LAMP	1	1	ALL	
	17	26233-02700	RIM=REVERSE LAMP LENS	1	1	ALL	
	18	26234-02700	PACKING=REVERSE LAMP	1	1	ALL	

REVISED: SEPTEMBER, 1969

28 - 1

Printed in Japan

NISSAN MOTOR CO., LTD.

FIG. 28

S	KEY NO.	PART NO.	PART NAME	QTY	SALES UNIT	MODEL	ICA
	19	26547-10400	RUBBER=WATER PROOF	1	1	ALL	
	20	26232-02700	BULB(12V-1,5W)	1	50	ALL	
	21	00998-81120	SCREW	2	50	ALL	
	22	26544-10400	BRACKET=REVERSE LAMP	1	1	ALL	
	23	26544-A3301	BRACKET=REVERSE LAMP	1		ALL	Y
	24	00314-41410	SCREW	2	50	ALL	
	25	00915-11410	WASHER=LOCK	2	50	ALL	
	26	26150-09401	ASSY=LAMP,FOG	2	1	OP,ALL	
	27	26151-36700	ASSY=LENS,FOG LAMP	2	1	OP,ALL	
	28	26713-34200	BULB(12V-35W)	2	1	OP,ALL	
	29	26718-89906	BULB(12V-35W)	2	10	OP,ALL	Y
	30	00998-52520	SCREW	2	50	OP,ALL	
	31	26152-30800	ASSY=HOLDER,LENS	2	5	OP,ALL	

REVISED: SEPTEMBER, 1969

28 - 2

Printed in Japan

Install the best!
GENUINE DATSUN PARTS



Engineering Department Parts Division

 **NISSAN MOTOR CO., LTD.** 
Tokyo, Japan

N16

FICHE INDEX

Fiche 1/3

DESCRIPTION	PAGE NO.	GRID	DESCRIPTION	PAGE NO.	GRID	DESCRIPTION	PAGE NO.	GRID
TUBE & OIL PRESSURE								
GAUGE	23-5	M 7						
WINDSHIELD WIPER (TO E/ # R-40000)	24-1	M 12						
WINDSHIELD WIPER (FROM E/ # R-40001)	24-2	M 12						
WINDSHIELD WASHER (TO E/ # R-40000)	24A-1	M 15						
WINDSHIELD WASHER (FROM E/# R-40001)	24A-2	M 15						
HEAD LAMP	25-1	N 1						
FRONT PARKING & TURN SIGNAL LAMP	26-1	N 2						
SIDE MARKER LAMPS (USA & CANADA)	26A-1	N 4						
MAP LAMPS	26B-1	N 6						
REAR LAMPS (TO JUN.-'69)	27-1	N 7						
REAR LAMP (FROM JULY-'69) ...	27A-1	N 10						
FOG & REVERSE LAMPS	28-1	N 12						
LICENCE LAMP	28-2	N 12						

N15 ← CONTINUED BACK ON GRID NO. N16